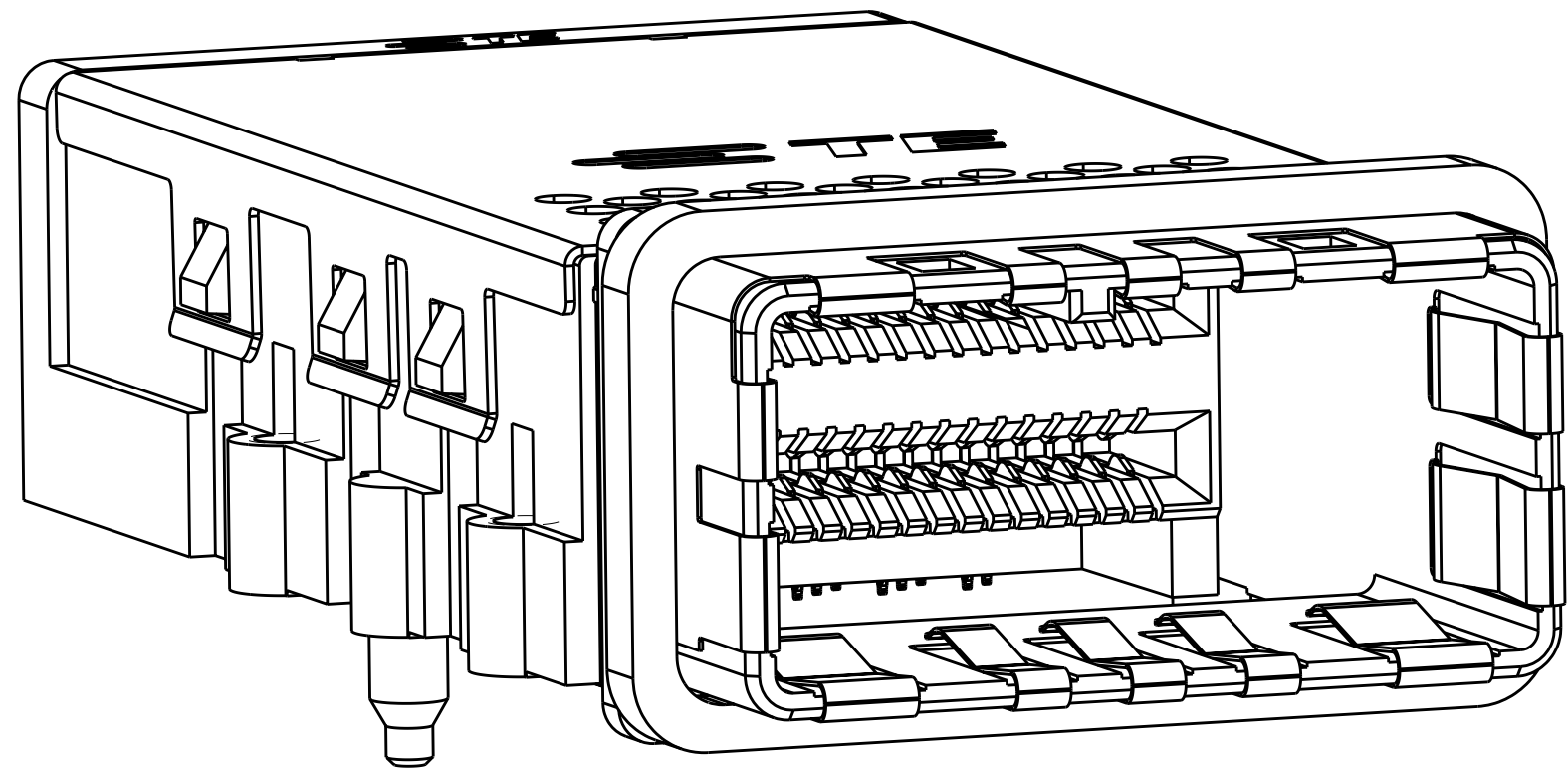


THIS DRAWING IS UNPUBLISHED. RELEASED FOR PUBLICATION 20
 © COPYRIGHT 20 BY - ALL RIGHTS RESERVED.

LOC	DIST	REVISIONS			
P	LTR	DESCRIPTION	DATE	DWN	APVD
GP	00	8	REVISED	21OCT2011	MEC MDM



2149152-1
SCALE 5:1

1. MATERIALS:
 HOUSING - NICKEL PLATED ZINC ALLOY PER ASTM B 240
 COVER, HOUSING - STAINLESS STEEL.
 EMI GASKET - SILVER PLATED URETHANE
 RECEPTACLE HOUSING - LCP, BLACK, UL 94V-0 RATED
 CHICKLET - LCP, BLACK, UL 94V-0 RATED
 CONTACT - PHOSPHOR BRONZE PER ASTM B 103
 EMI SPRING - COPPER ALLOY
- △2 CONTACT FINISH:
 CONFORMS TO THE REQUIREMENTS OF TYCO ELECTRONICS
 PRODUCT SPECIFICATION 108-2426, BASED ON EIA/ECA-364-1000.01A,
 (CONTROLLED ENVIRONMENT APPLICATIONS) ON MATING INTERFACE,
 TIN ON NEEDLE EYE
- △3 NOTE DELETED
4. PCB THICKNESS = 1.57 MIN
- △5 FOR HOLE SIZE AND PLATINGS, SEE APPLICATION SPEC 114-13283
- △6 THE ENTIRE AREA OF THE CONNECTOR FOOTPRINT, INDICATED
 BY CROSSHATCHING, TO BE CONSIDERED THE KEEPOUT AREA FOR
 COMPONENTS AND SIGNAL TRACES, TOP SIDE ONLY, TOP SIDE
 TRACES ALLOWED WITHIN CONNECTOR HOLE PATTERN, CROSSHATCHING
 TO BE CONDUCTIVE
7. MOUNTING HARDWARE REQUIRED:
 M2X0.4 (4) - MOUNTING SCREW LENGTH = BOARD THICKNESS + 4mm MAX

OBSOLETE

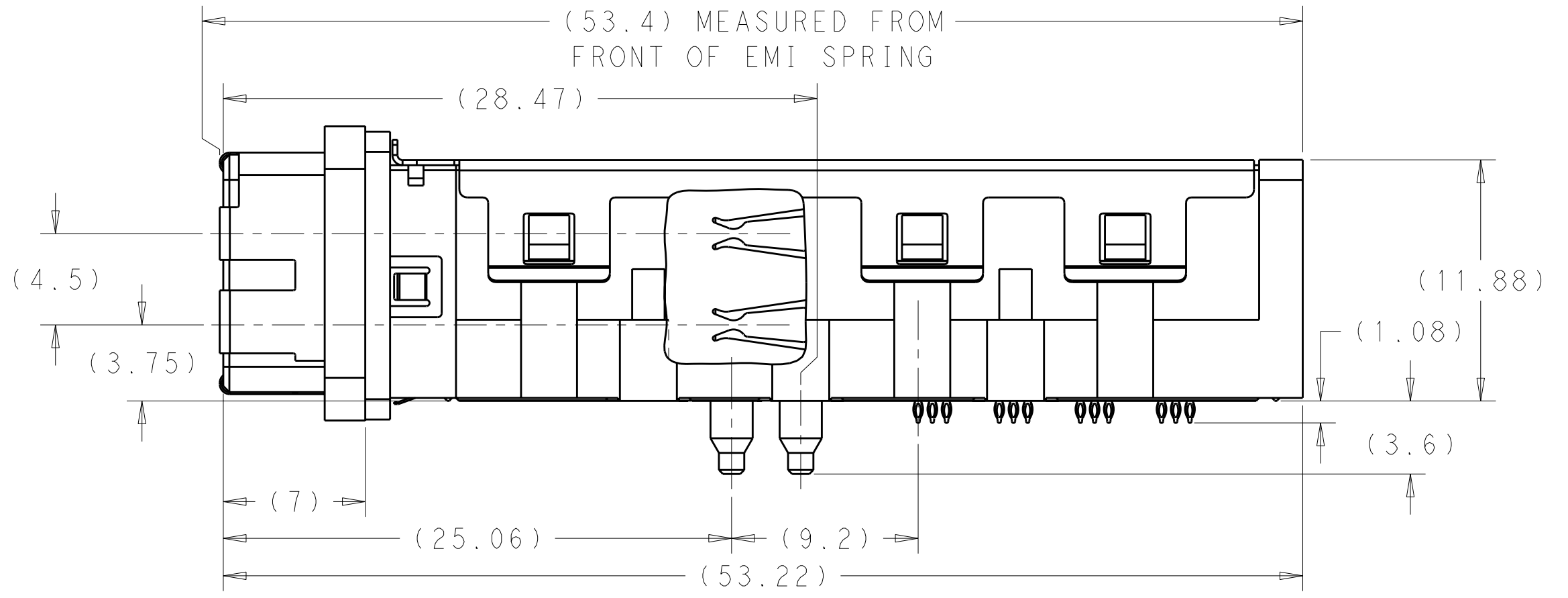
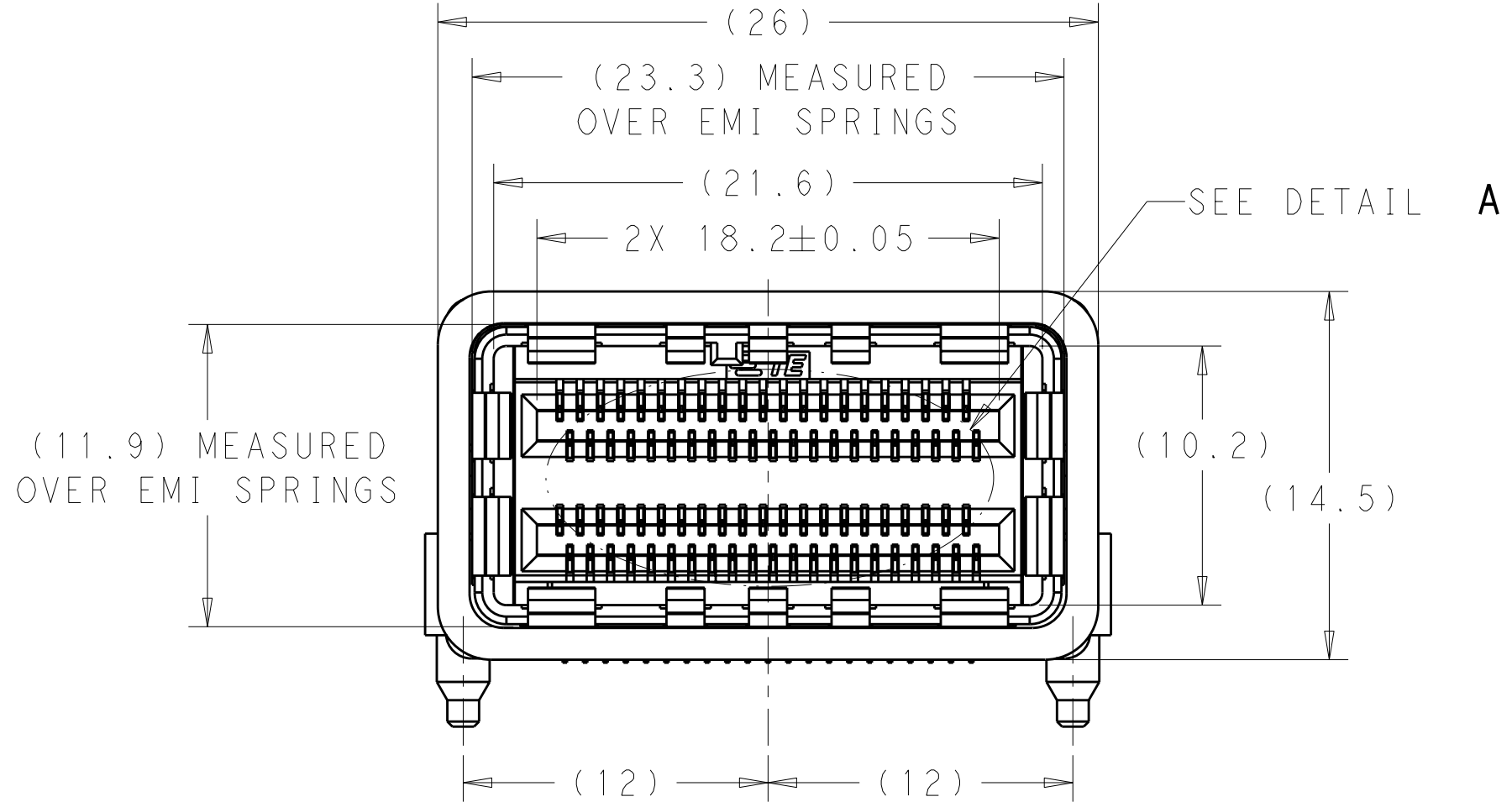
2149448-2	△3	84 POSITION RECEPTACLE ASSEMBLY	2149152-2
2149448-1	△2	84 POSITION RECEPTACLE ASSEMBLY	2149152-1
RECEPTACLE HOUSING SUB-ASSEMBLY	FINISH	DESCRIPTION	PART NUMBER

PRELIMINARY PART- NOT RELEASED FOR PRODUCTION

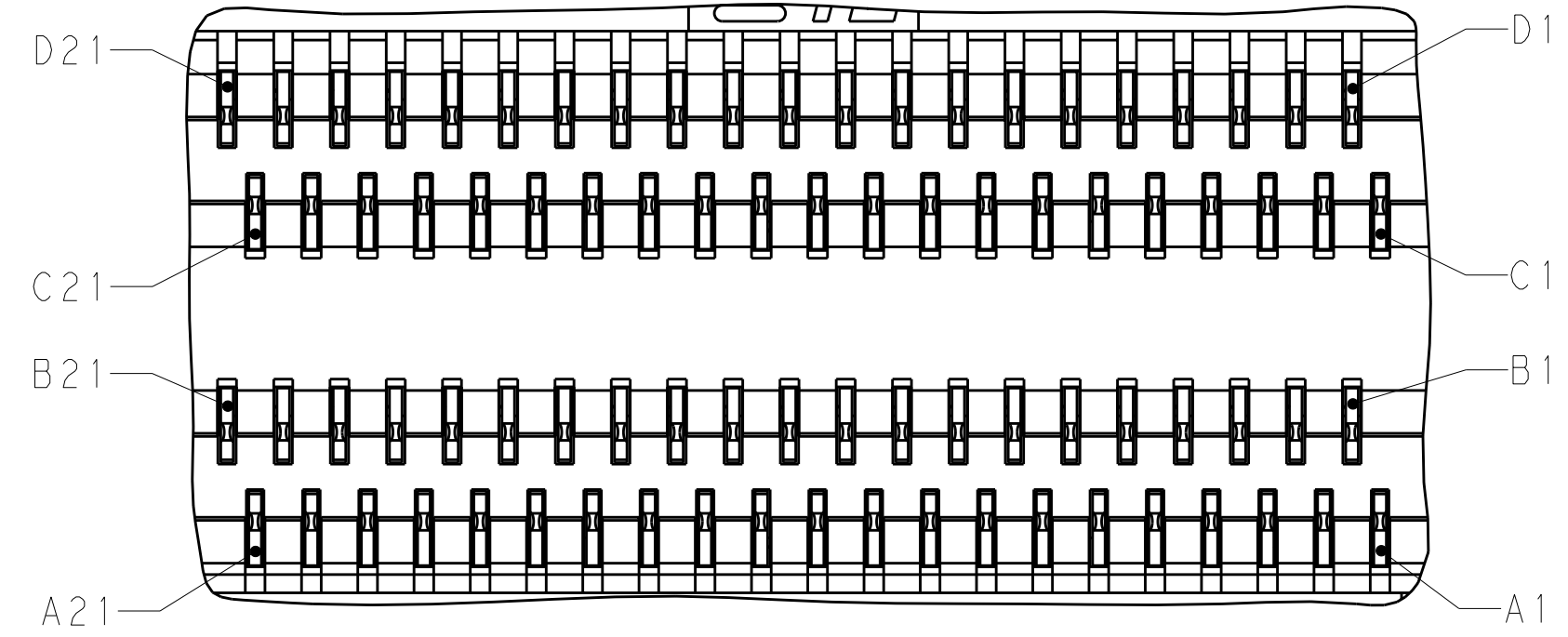
THIS DRAWING IS A CONTROLLED DOCUMENT.		DWN	09 JUN 2010	 TE Connectivity PRELIMINARY
DIMENSIONS: mm		CHK	10 JUN 2010	
TOLERANCES UNLESS OTHERWISE SPECIFIED:		APVD	10 JUN 2010	
0 PLC ±0.25 1 PLC ±0.25 2 PLC ±0.25 3 PLC ±0.25 4 PLC ±0.25 ANGLES ±0.5 FINISH		NAME	M. D. MORRISON	
MATERIAL		PRODUCT SPEC	RECEPTACLE ASSEMBLY 84 POSITION, CXP	
SEE NOTES		APPLICATION SPEC	SIZE	CAGE CODE
SEE TABLE		WEIGHT	A2	00779
CUSTOMER DRAWING		SCALE	1:1	DRAWING NO
		SHEET	1	2149152
		OF	4	REV
		REV	8	

THIS DRAWING IS UNPUBLISHED. RELEASED FOR PUBLICATION 20
 © COPYRIGHT 20 BY - ALL RIGHTS RESERVED.

LOC	DIST	REVISIONS			
P	LTR	DESCRIPTION	DATE	DWN	APVD
GP	00	-	SEE SHEET 1	-	-



2149152-1
 SCALE 4:1



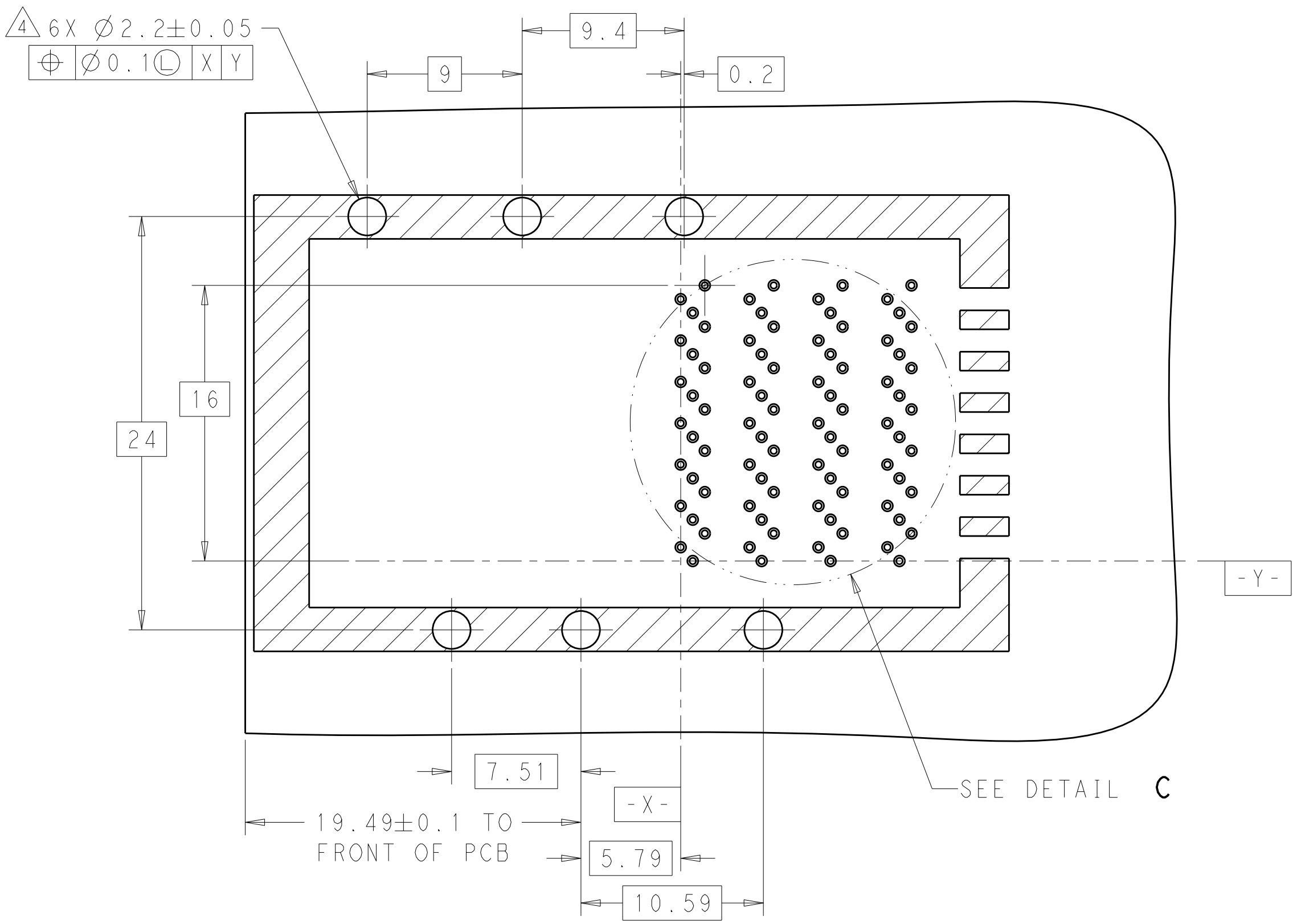
DETAIL A
 CONNECTOR PIN CALLOUT
 SCALE 10:1

PRELIMINARY PART- NOT RELEASED FOR PRODUCTION

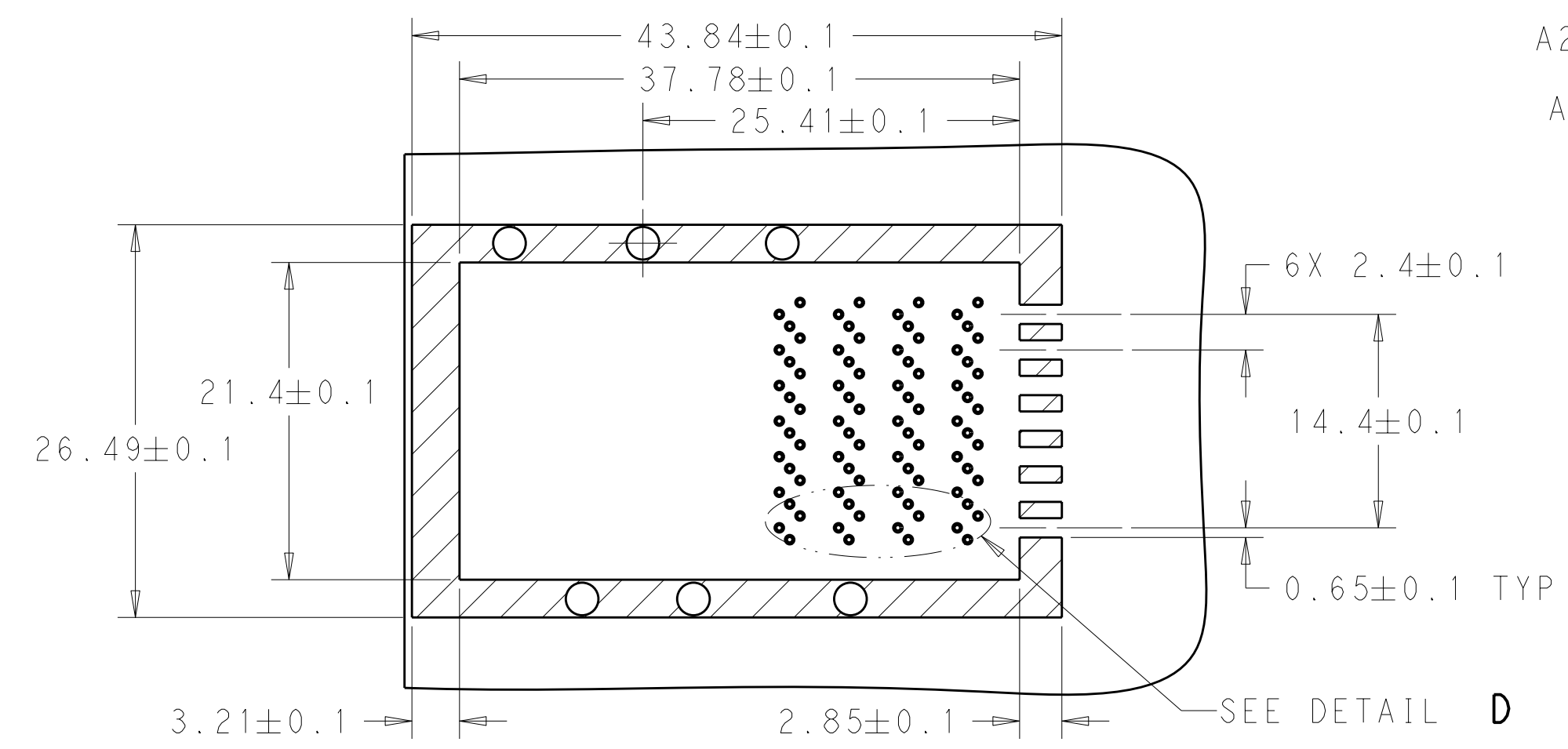
THIS DRAWING IS A CONTROLLED DOCUMENT.		DWN M.E. COWHER 09 JUN 2010	TE Connectivity	
DIMENSIONS: mm		CHK M.D. MORRISON 10 JUN 2010		
TOLERANCES UNLESS OTHERWISE SPECIFIED:		APVD M.D. MORRISON 10 JUN 2010	NAME RECEPTACLE ASSEMBLY 84 POSITION, CXP	
0 PLC ±0.25 1 PLC ±0.25 2 PLC ±0.25 3 PLC ±0.25 4 PLC ±0.25 ANGLES ±0.5 FINISH		PRODUCT SPEC -	SIZE A200779	
MATERIAL SEE NOTES		APPLICATION SPEC -	DRAWING NO C-2149152	
SEE TABLE		WEIGHT -	RESTRICTED TO -	
CUSTOMER DRAWING		SCALE 4:1		SHEET 2 OF 4 REV 8

THIS DRAWING IS UNPUBLISHED. RELEASED FOR PUBLICATION 20
 © COPYRIGHT 20 BY - ALL RIGHTS RESERVED.

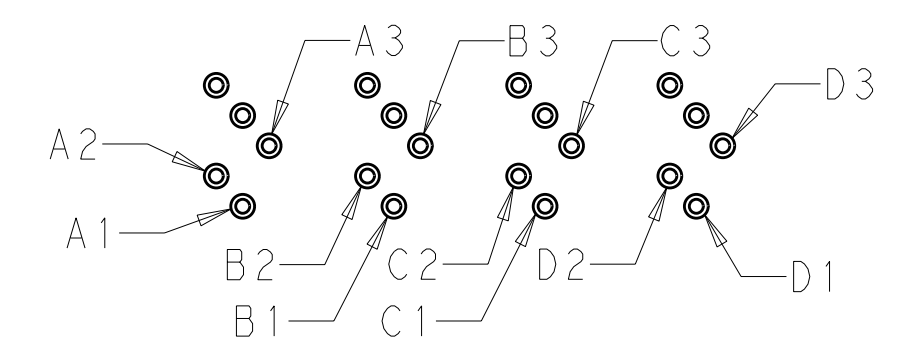
LOC	DIST	REVISIONS					
GP	00	P	LTR	DESCRIPTION	DATE	DWN	APVD
		-		SEE SHEET 1			



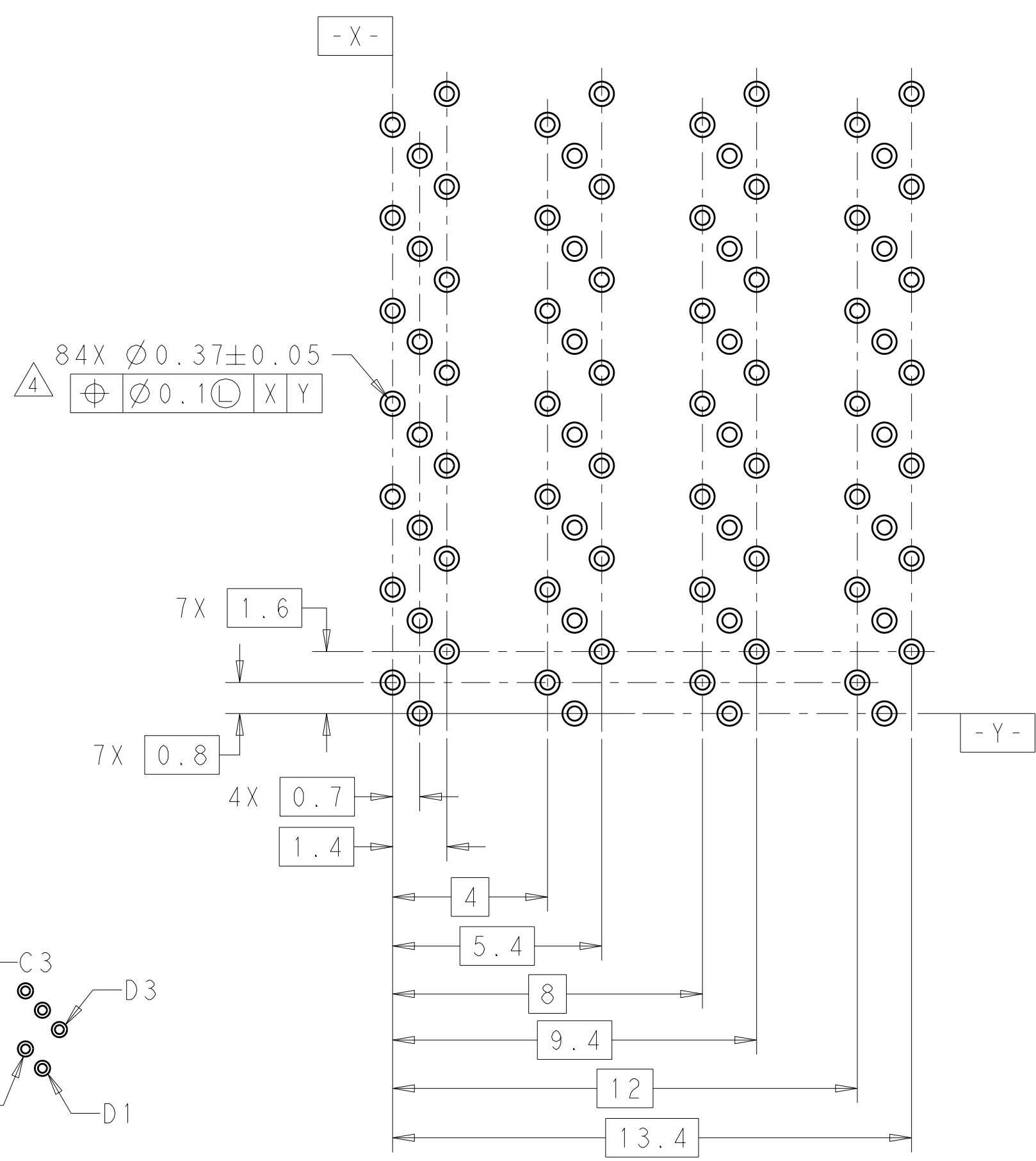
RECOMMENDED PCB LAYOUT
 COMPONENT SIDE SHOWN
 SCALE 4:1



RECOMMENDED KEEPOUT AREA
 SCALE 5:2



DETAIL D
 PIN CALLOUT (TYPICAL)
 SCALE 5:1



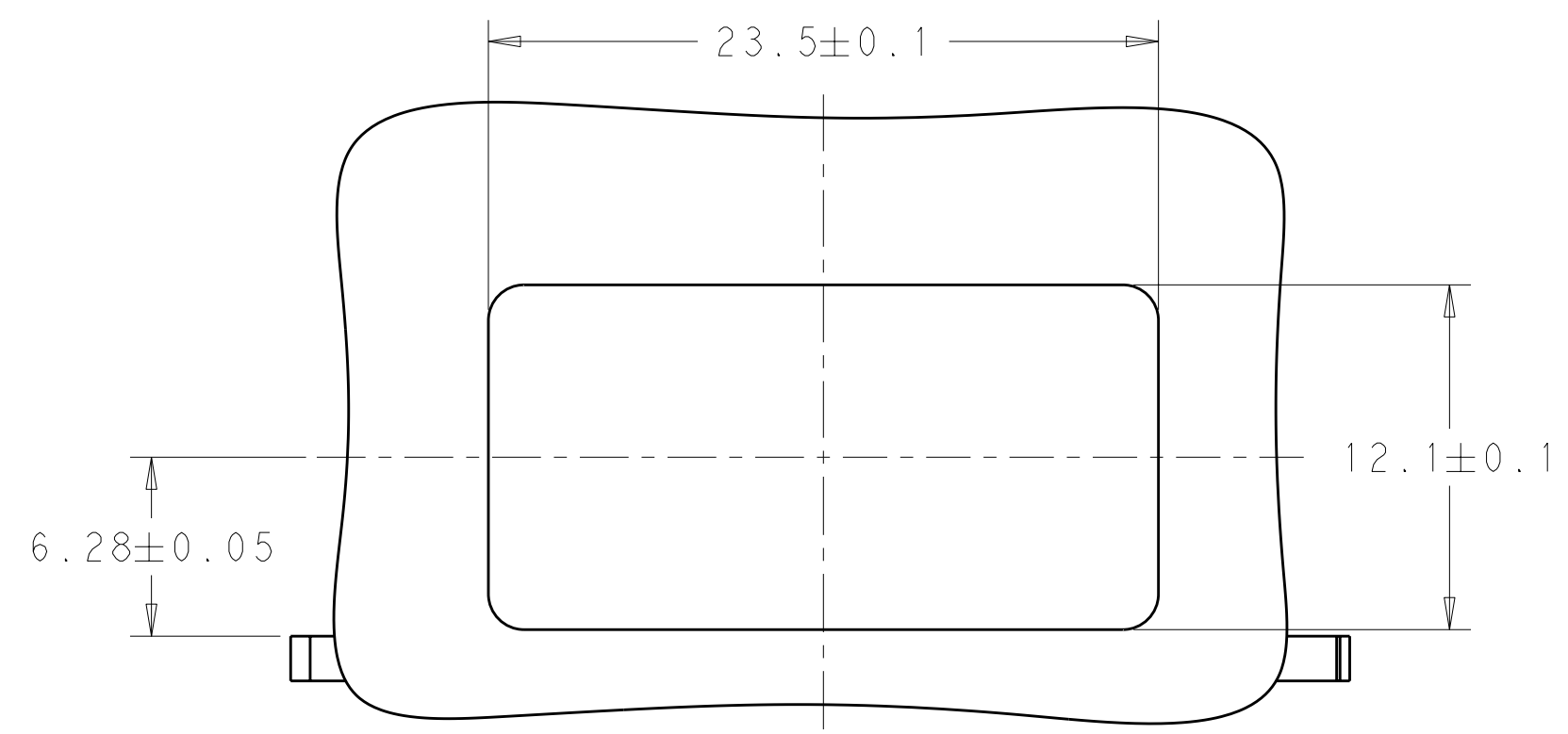
DETAIL C
 RECOMMENDED CONNECTOR LAYOUT
 SCALE 8:1

PRELIMINARY PART- NOT RELEASED FOR PRODUCTION

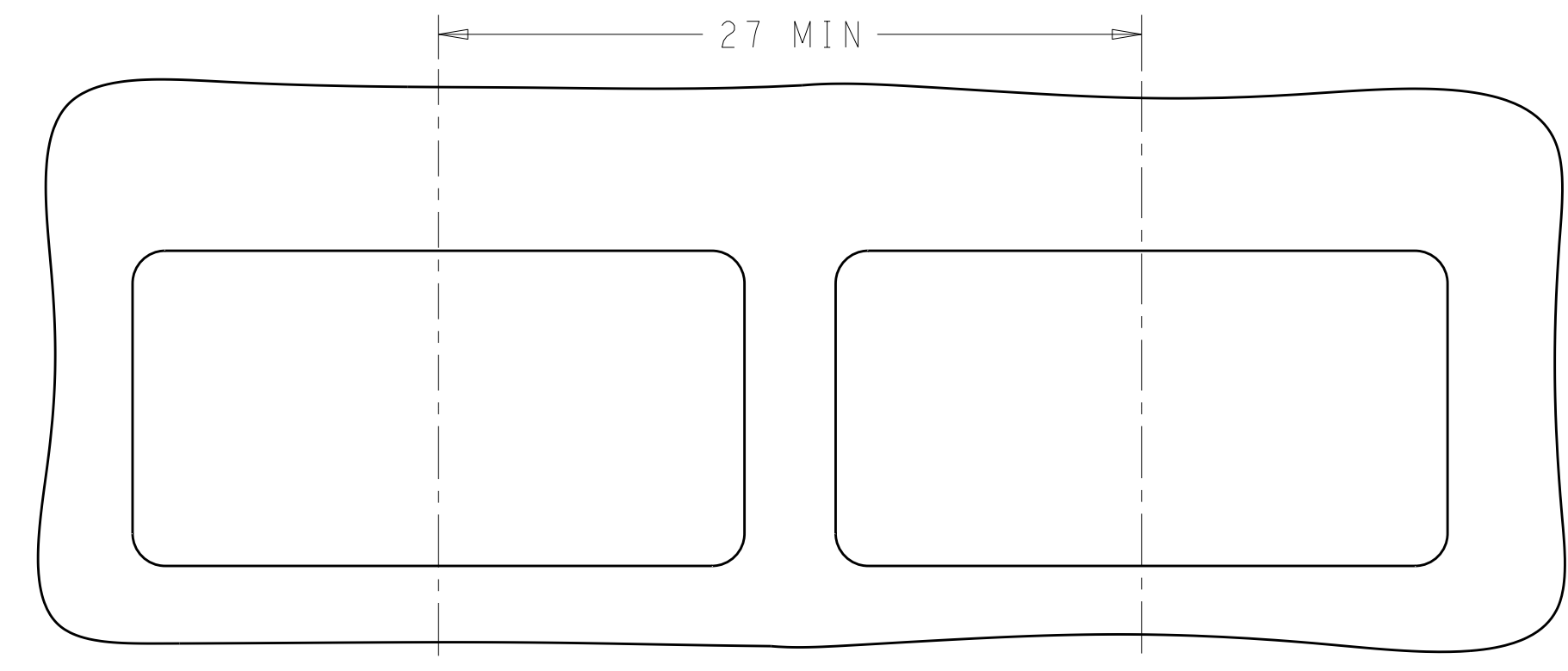
THIS DRAWING IS A CONTROLLED DOCUMENT.		DWN M.E. COWHER 09 JUN 2010	TE Connectivity
DIMENSIONS: mm		CHK M.D. MORRISON 10 JUN 2010	
TOLERANCES UNLESS OTHERWISE SPECIFIED:		APVD M.D. MORRISON 10 JUN 2010	NAME RECEPTACLE ASSEMBLY 84 POSITION, CXP
0 PLC ±0.25 1 PLC ±0.25 2 PLC ±0.25 3 PLC ±0.25 4 PLC ±0.25 ANGLES ±0.5 FINISH		PRODUCT SPEC APPLICATION SPEC	SIZE A200779
MATERIAL SEE NOTES		WEIGHT -	DRAWING NO C-2149152
SEE TABLE		CUSTOMER DRAWING	RESTRICTED TO -
		SCALE 3:1	SHEET 3 OF 4 REV 8

THIS DRAWING IS UNPUBLISHED. RELEASED FOR PUBLICATION 20
 © COPYRIGHT 20 BY - ALL RIGHTS RESERVED.

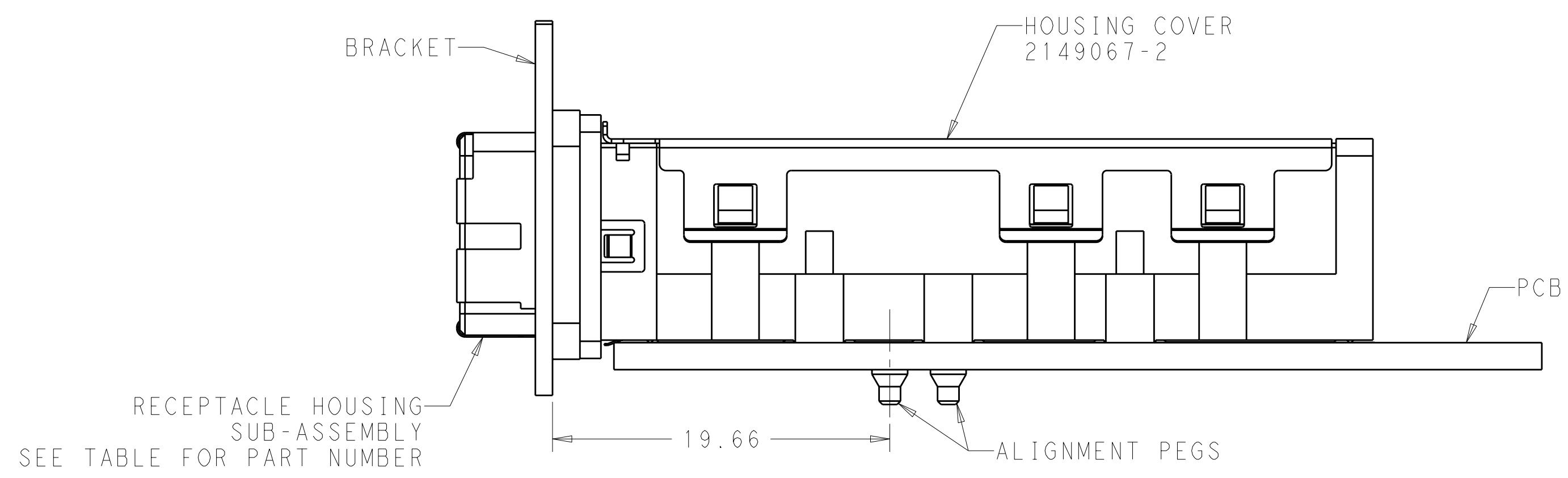
LOC	DIST	REVISIONS			
P	LTR	DESCRIPTION	DATE	DWN	APVD
GP	00	-	SEE SHEET 1	-	-



RECOMMENDED BRACKET CUT-OUT
SCALE 4:1



RECOMMENDED BRACKET CUT-OUT SPACING
SCALE 4:1



RECOMMENDED BRACKET LOCATION
SCALE 4:1

RECEPTACLE HOUSING
SUB-ASSEMBLY
SEE TABLE FOR PART NUMBER

PRELIMINARY PART- NOT RELEASED FOR PRODUCTION

THIS DRAWING IS A CONTROLLED DOCUMENT.		DWN M.E. COWHER 09 JUN 2010	TE Connectivity	
DIMENSIONS: mm		CHK M.D. MORRISON 10 JUN 2010		
TOLERANCES UNLESS OTHERWISE SPECIFIED:		APVD M.D. MORRISON 10 JUN 2010	NAME RECEPTACLE ASSEMBLY 84 POSITION, CXP	
0 PLC ±0.25 1 PLC ±0.25 2 PLC ±0.25 3 PLC ±0.25 4 PLC ±0.25 ANGLES ±0.5 FINISH		PRODUCT SPEC -	SIZE A200779	
MATERIAL SEE NOTES		APPLICATION SPEC -	DRAWING NO C-2149152	
SEE TABLE		WEIGHT -	RESTRICTED TO -	
CUSTOMER DRAWING		SCALE 4:1		SHEET 4 OF 4 REV 8