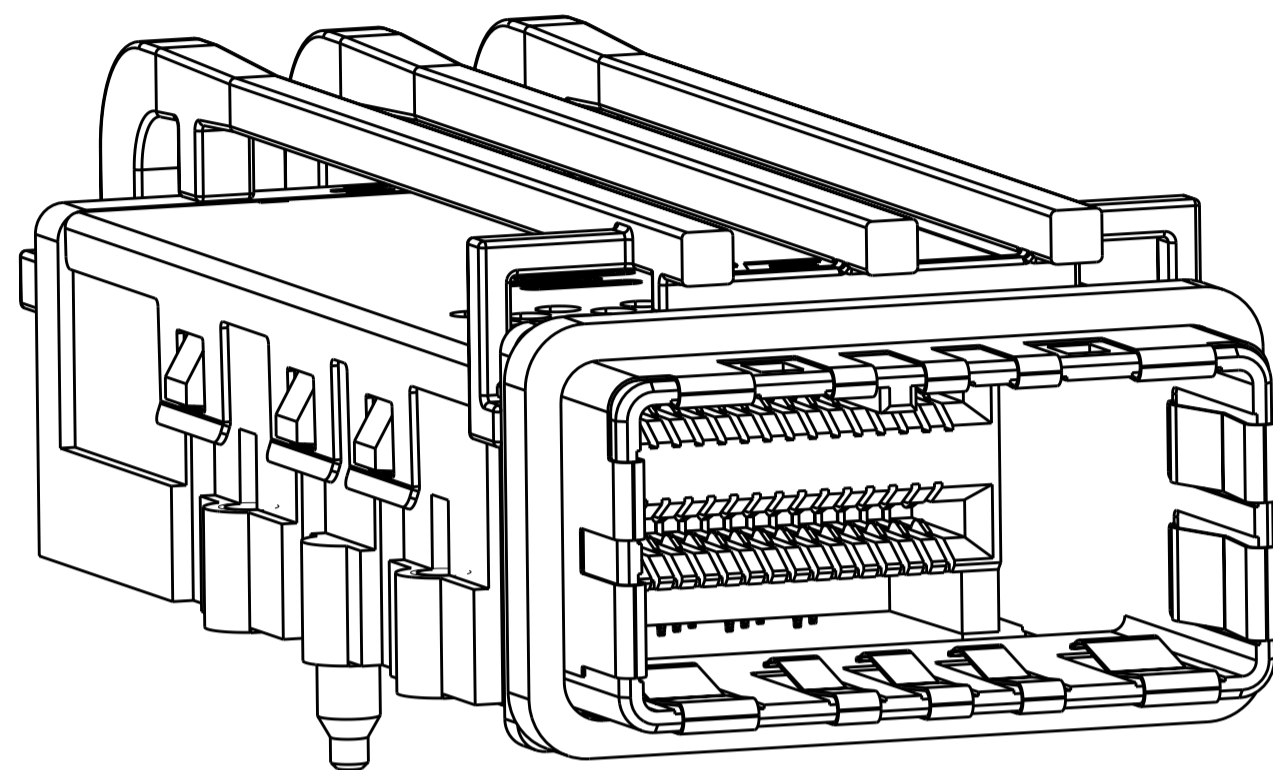
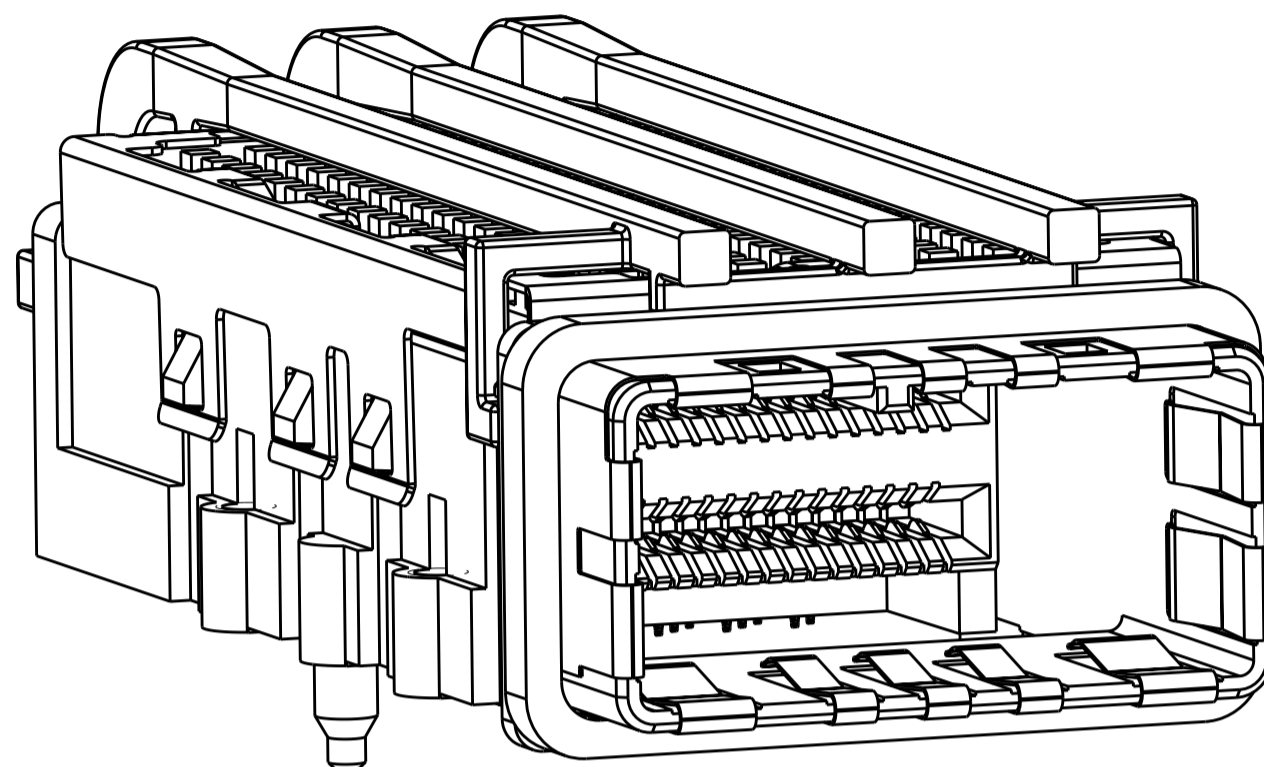


THIS DRAWING IS UNPUBLISHED. RELEASED FOR PUBLICATION 20
 © COPYRIGHT 20 BY - ALL RIGHTS RESERVED.

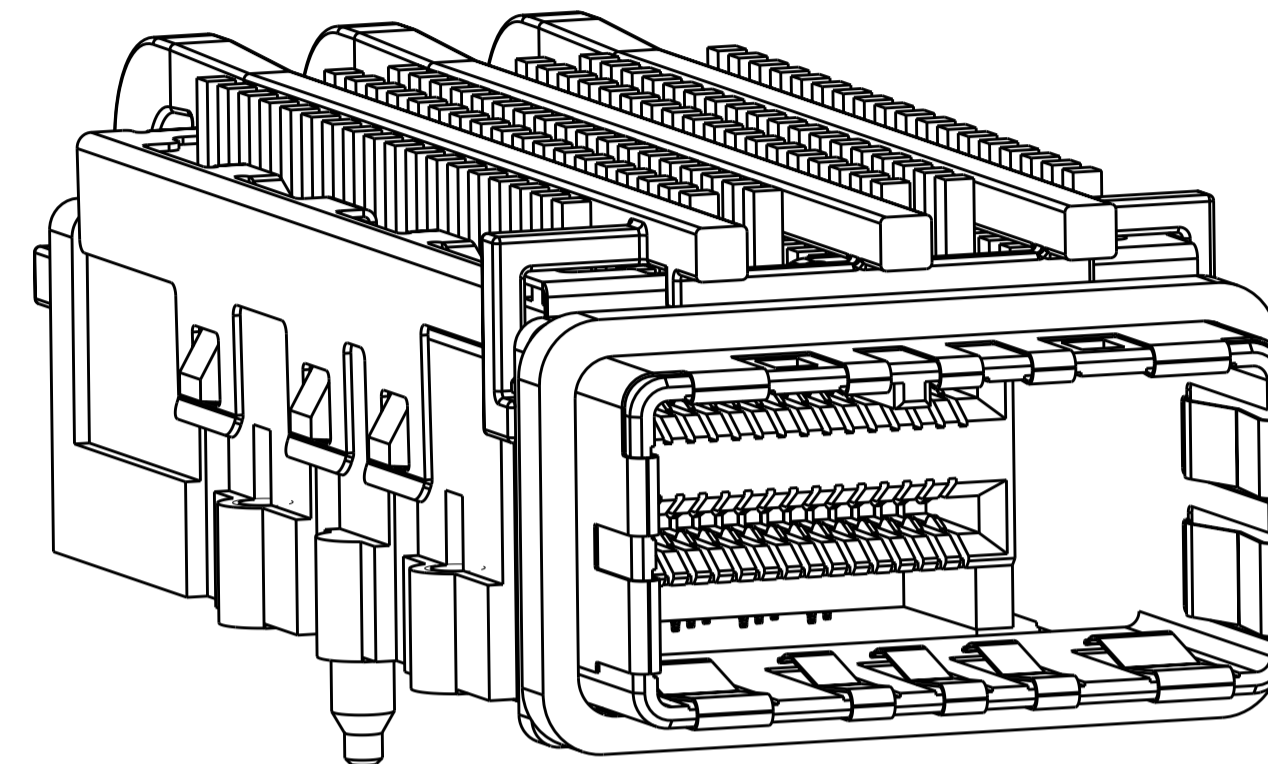
LOC	DIST	REVISIONS			
P	LTR	DESCRIPTION	DATE	DWN	APVD
GP	00				
	6	REVISED	21OCT2011	MEC	MDM
	7	REVISED	21OCT2011	MEC	MDM



2149159-1
SCALE 4:1



2149159-3
SCALE 4:1



2149159-5
SCALE 4:1

OBSOLETE	23.5	2149448-2	△3	84 POSITION RECEPTACLE ASSEMBLY WITH LIGHTPIPE AND HEAT SINK	2149159-8
	23.5	2149448-1	△2	84 POSITION RECEPTACLE ASSEMBLY WITH LIGHTPIPE AND HEAT SINK	2149159-7
OBSOLETE	16.5	2149448-2	△3	84 POSITION RECEPTACLE ASSEMBLY WITH LIGHTPIPE AND HEAT SINK	2149159-6
	16.5	2149448-1	△2	84 POSITION RECEPTACLE ASSEMBLY WITH LIGHTPIPE AND HEAT SINK	2149159-5
OBSOLETE	14.2	2149448-2	△3	84 POSITION RECEPTACLE ASSEMBLY WITH LIGHTPIPE AND HEAT SINK	2149159-4
	14.2	2149448-1	△2	84 POSITION RECEPTACLE ASSEMBLY WITH LIGHTPIPE AND HEAT SINK	2149159-3
OBSOLETE	-	2149448-2	△3	884 POSITION RECEPTACLE ASSEMBLY WITH LIGHTPIPE	2149159-2
	-	2149448-1	△2	84 POSITION RECEPTACLE ASSEMBLY WITH LIGHTPIPE	2149159-1
E		RECEPTACLE HOUSING SUB-ASSEMBLY	FINISH	DESCRIPTION	PART NUMBER

PRELIMINARY PART- NOT RELEASED FOR PRODUCTION

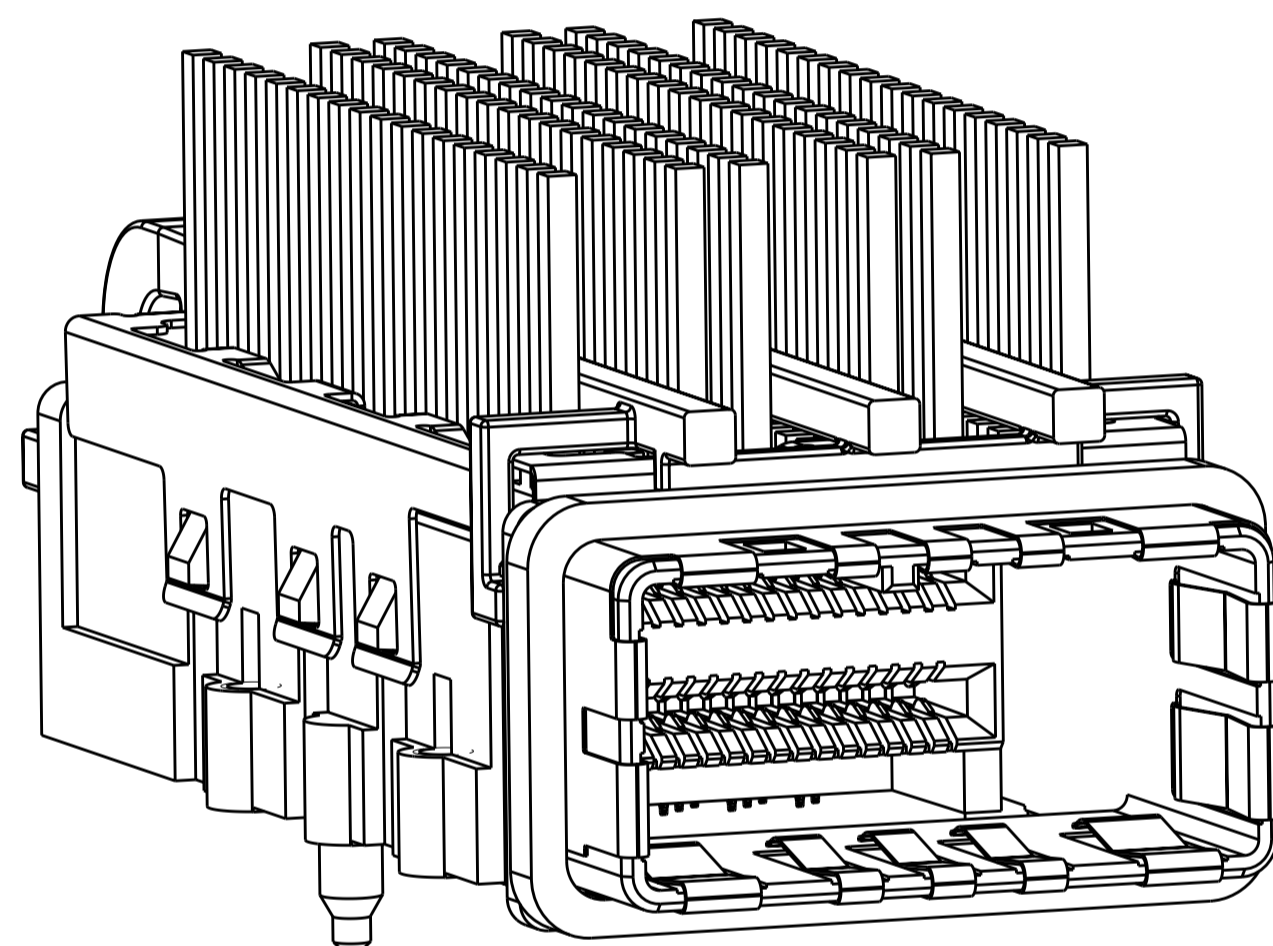
THIS DRAWING IS A CONTROLLED DOCUMENT.

DIMENSIONS: mm	TOLERANCES UNLESS OTHERWISE SPECIFIED: 0 PLC ±0.25 1 PLC ±0.25 2 PLC ±0.25 3 PLC ±0.25 4 PLC ±0.25 ANGLES ± FINISH	DWN M.E. COWHER 09 JUN 2010 CHK M.D. MORRISON 10 JUN 2010 APVD M.D. MORRISON 10 JUN 2010	STE TE Connectivity
MATERIAL	SEE NOTES	PRODUCT SPEC - APPLICATION SPEC - WEIGHT -	RECEPTACLE ASSEMBLY WITH LIGHTPIPE AND HEAT SINK, 84 POSITION, CXP
SEE NOTES	SEE TABLE	CUSTOMER DRAWING	RESTRICTED TO

SIZE A2 CAGE CODE 00779 DRAWING NO. 2149159 SCALE 1:1 SHEET 1 OF 5 REV 7

THIS DRAWING IS UNPUBLISHED. RELEASED FOR PUBLICATION 20
 © COPYRIGHT 20 BY ALL RIGHTS RESERVED.

LOC	DIST	REVISIONS					
GP	00	P	LTR	DESCRIPTION	DATE	DWN	APVD
		-		SEE SHEET 1			



2149159-7
 SCALE 4:1

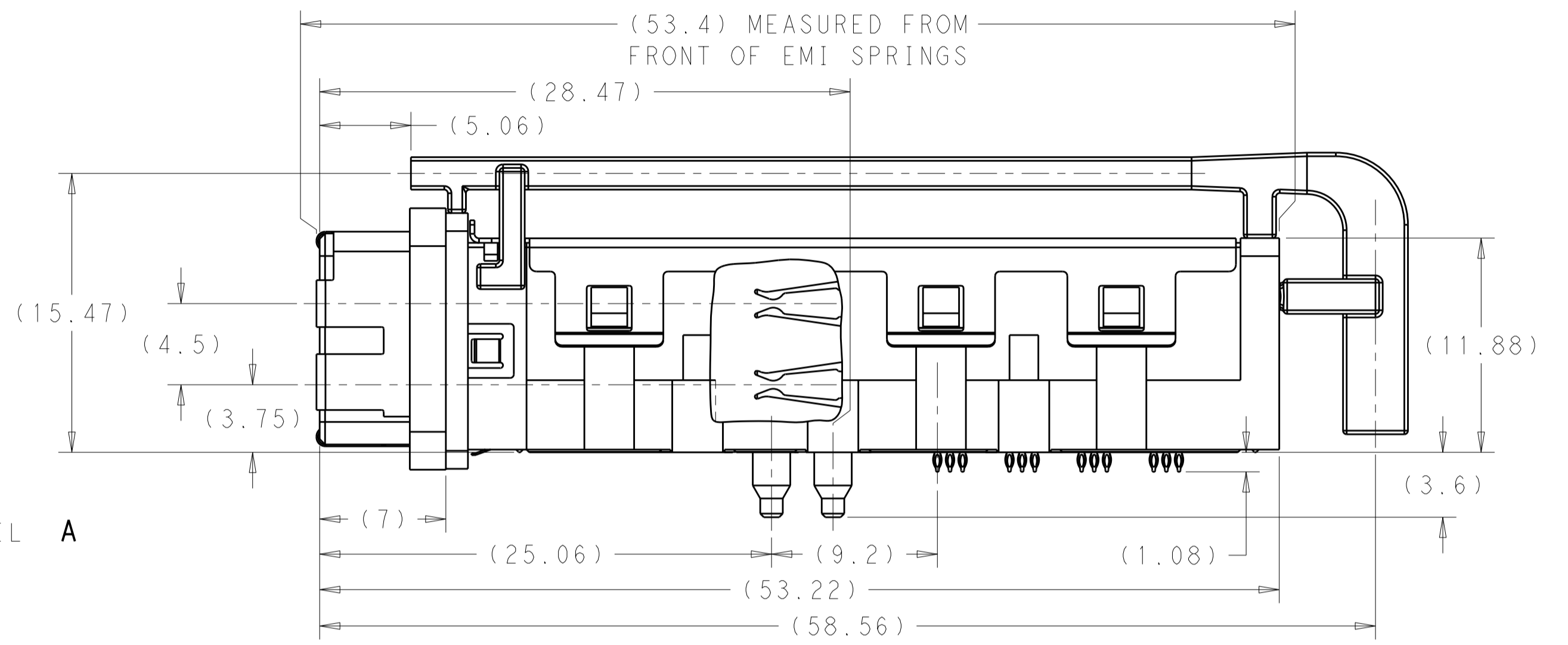
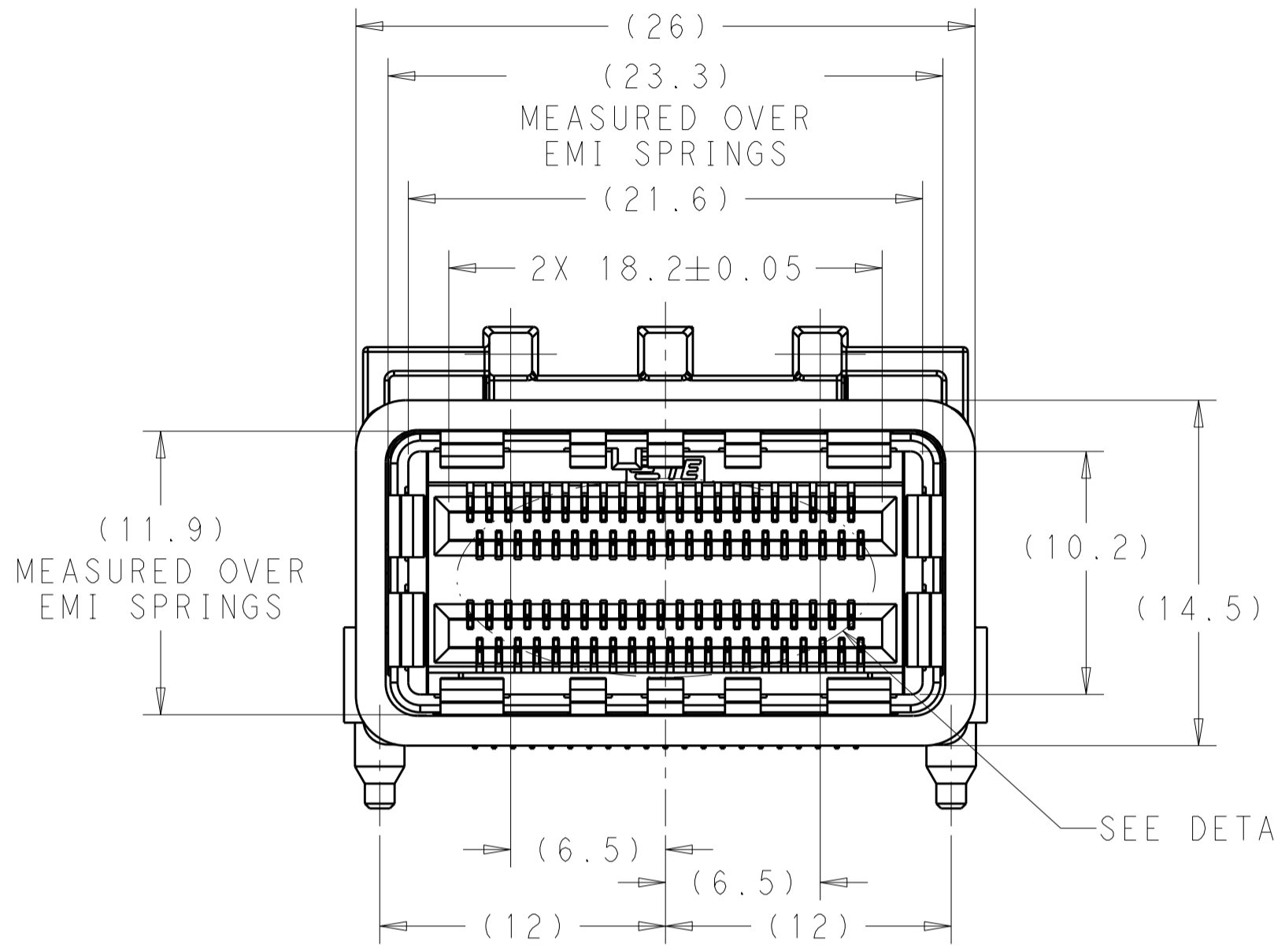
1. MATERIALS:
 HOUSING - NICKEL PLATED ZINC ALLOY PER ASTM B 240
 EMI GASKET - SILVER PLATED URETHANE
 RECEPTACLE HOUSING - LCP, BLACK, UL 94V-0 RATED
 CHICKLET - LCP, BLACK, UL 94V-0 RATED
 CONTACT - PHOSPHOR BRONZE PER ASTM B 103
 EMI SPRING - COPPER ALLOY
 HEAT SINK - ALUMINUM
 CLIP, HEAT SINK - STAINLESS STEEL
 LIGHTPIPE - POLYCARBONATE, CLEAR
2. CONTACT FINISH:
 CONFORMS TO THE REQUIREMENTS OF TYCO ELECTRONICS
 PRODUCT SPECIFICATION 108-2426, BASED ON EIA/ECA-364-1000.01A,
 (CONTROLLED ENVIRONMENT APPLICATIONS) ON MATING INTERFACE,
 TIN ON NEEDLE EYE
3. NOTE DELETED
4. PCB THICKNESS = 1.57 MIN
5. FOR HOLE SIZE AND PLATINGS, SEE APPLICATION SPEC 114-13283
6. THE ENTIRE AREA OF THE CONNECTOR FOOTPRINT, INDICATED
 BY CROSSHATCHING, TO BE CONSIDERED THE KEEPOUT AREA FOR
 COMPONENTS AND SIGNAL TRACES, TOP SIDE ONLY, TOP SIDE
 TRACES ALLOWED WITHIN CONNECTOR HOLE PATTERN, CROSSHATCHING
 TO BE CONDUCTIVE
7. MOUNTING HARDWARE REQUIRED:
 M2x0.4 (4)
 MOUNTING SCREW LENGTH = BOARD THICKNESS PLUS 4mm MAX
8. COMPONENTS PACKAGED UNASSEMBLED

PRELIMINARY PART- NOT RELEASED FOR PRODUCTION

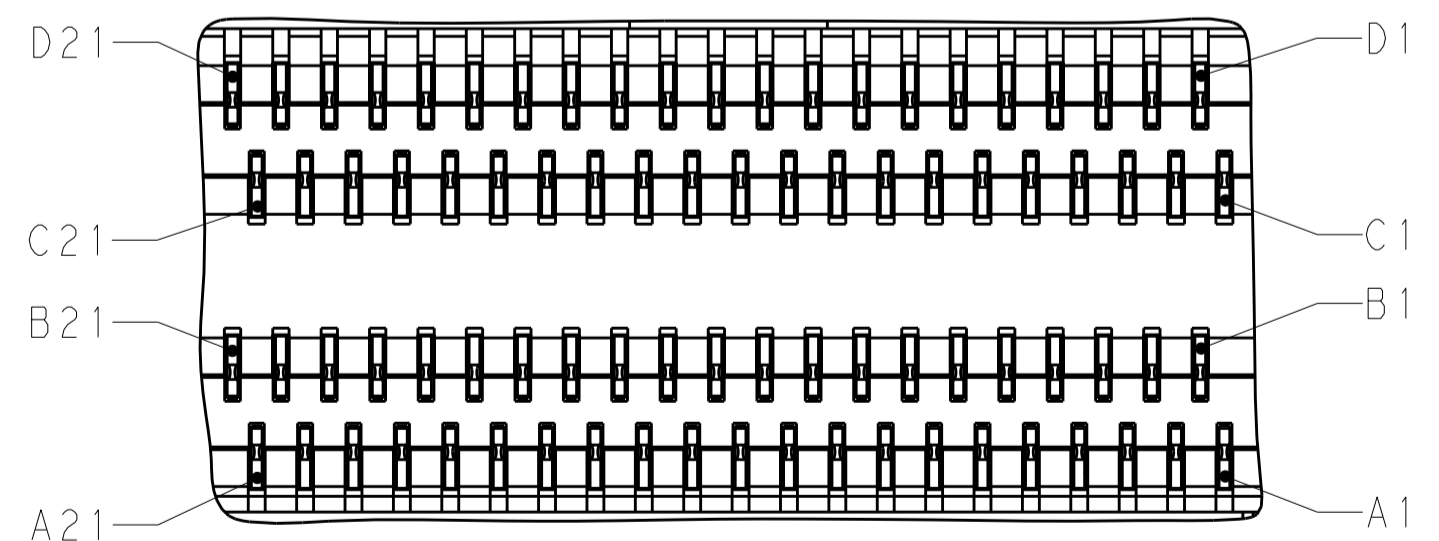
THIS DRAWING IS A CONTROLLED DOCUMENT.		DWN M.E. COWHER 09 JUN 2010	TE Connectivity															
DIMENSIONS: mm		CHK M.D. MORRISON 10 JUN 2010																
TOLERANCES UNLESS OTHERWISE SPECIFIED:		APVD M.D. MORRISON 10 JUN 2010	NAME RECEPTACLE ASSEMBLY WITH LIGHTPIPE AND HEAT SINK, 84 POSITION, CXP															
<table border="0"> <tr><td>0 PLC</td><td>±0.25</td></tr> <tr><td>1 PLC</td><td>±0.25</td></tr> <tr><td>2 PLC</td><td>±0.25</td></tr> <tr><td>3 PLC</td><td>±0.25</td></tr> <tr><td>4 PLC</td><td>±0.25</td></tr> <tr><td>ANGLES</td><td>±</td></tr> <tr><td>FINISH</td><td></td></tr> </table>		0 PLC	±0.25	1 PLC	±0.25	2 PLC	±0.25	3 PLC	±0.25	4 PLC	±0.25	ANGLES	±	FINISH		PRODUCT SPEC -	SIZE A200779	DRAWING NO C-2149159
0 PLC	±0.25																	
1 PLC	±0.25																	
2 PLC	±0.25																	
3 PLC	±0.25																	
4 PLC	±0.25																	
ANGLES	±																	
FINISH																		
MATERIAL SEE NOTES		APPLICATION SPEC -	RESTRICTED TO -	SCALE 1:1 SHEET 2 OF 5 REV 7														
SEE TABLE		WEIGHT -	CUSTOMER DRAWING															

THIS DRAWING IS UNPUBLISHED. RELEASED FOR PUBLICATION 20
 © COPYRIGHT 20 BY - ALL RIGHTS RESERVED.

LOC	DIST	REVISIONS			
P	LTR	DESCRIPTION	DATE	DWN	APVD
GP	00	-	SEE SHEET 1	-	-



2149159-1
 SCALE 4:1



DETAIL A
 RECOMMENDED PIN CALLOUT
 SCALE 8:1

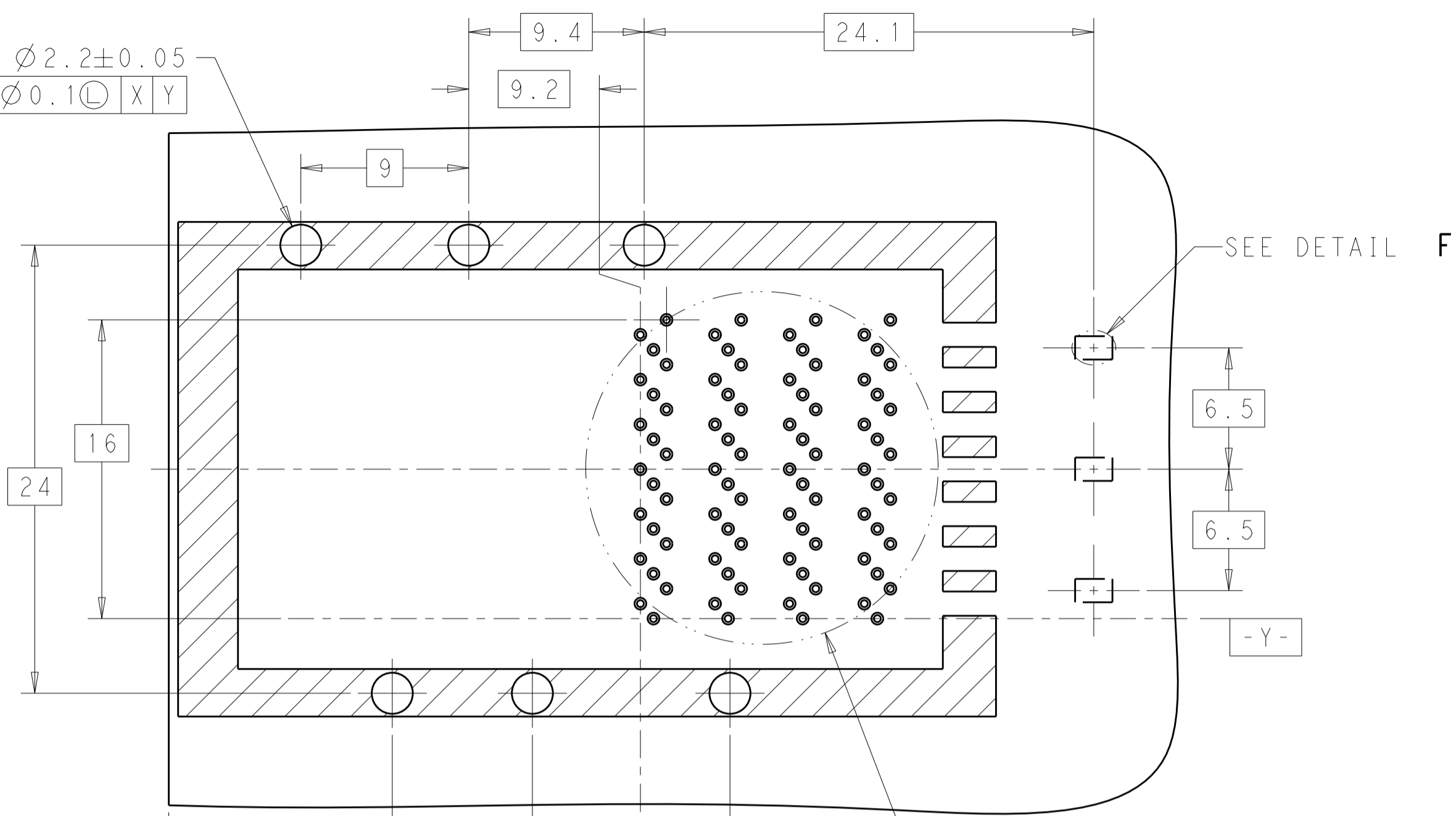
PRELIMINARY PART- NOT RELEASED FOR PRODUCTION

THIS DRAWING IS A CONTROLLED DOCUMENT.		DWN M.E. COWHER 09 JUN 2010	TE Connectivity	
DIMENSIONS: mm		CHK M.D. MORRISON 10 JUN 2010		
TOLERANCES UNLESS OTHERWISE SPECIFIED:		APVD M.D. MORRISON 10 JUN 2010	NAME RECEPTACLE ASSEMBLY WITH LIGHTPIPE AND HEAT SINK, 84 POSITION, CXP	
0 PLC ±0.25 1 PLC ±0.25 2 PLC ±0.25 3 PLC ±0.25 4 PLC ±0.25 ANGLES ± FINISH		PRODUCT SPEC -	SIZE A200779	DRAWING NO C-2149159
SEE NOTES		APPLICATION SPEC -	RESTRICTED TO -	SCALE 1:1
MATERIAL		WEIGHT -	SHEET 3 OF 5	
CUSTOMER DRAWING		REV 7		

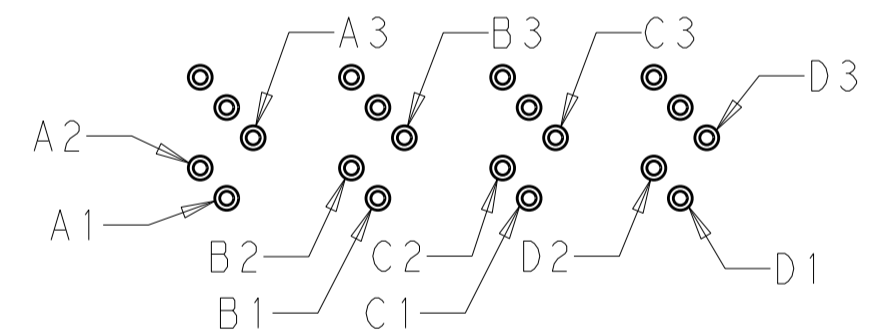
THIS DRAWING IS UNPUBLISHED. RELEASED FOR PUBLICATION 20
 © COPYRIGHT 20 BY - ALL RIGHTS RESERVED.

LOC	DIST	REVISIONS					
GP	00	P	LTR	DESCRIPTION	DATE	DWN	APVD
		-		SEE SHEET 1			

4 6X $\varnothing 2.2 \pm 0.05$
 $\oplus \varnothing 0.1 \text{ L X Y}$

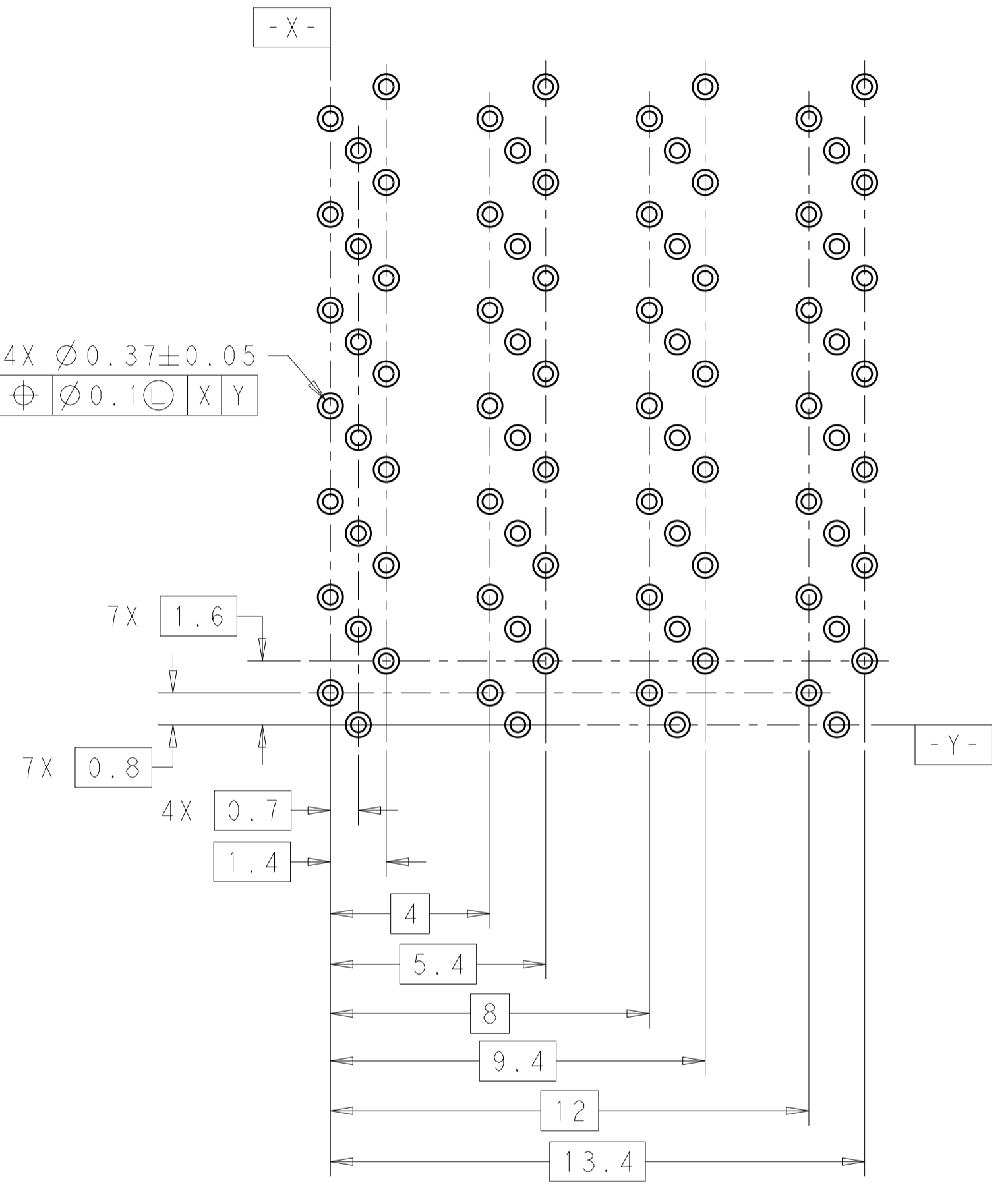


RECOMMENDED PCB LAYOUT
 COMPONENT SIDE SHOWN
 SCALE 4:1

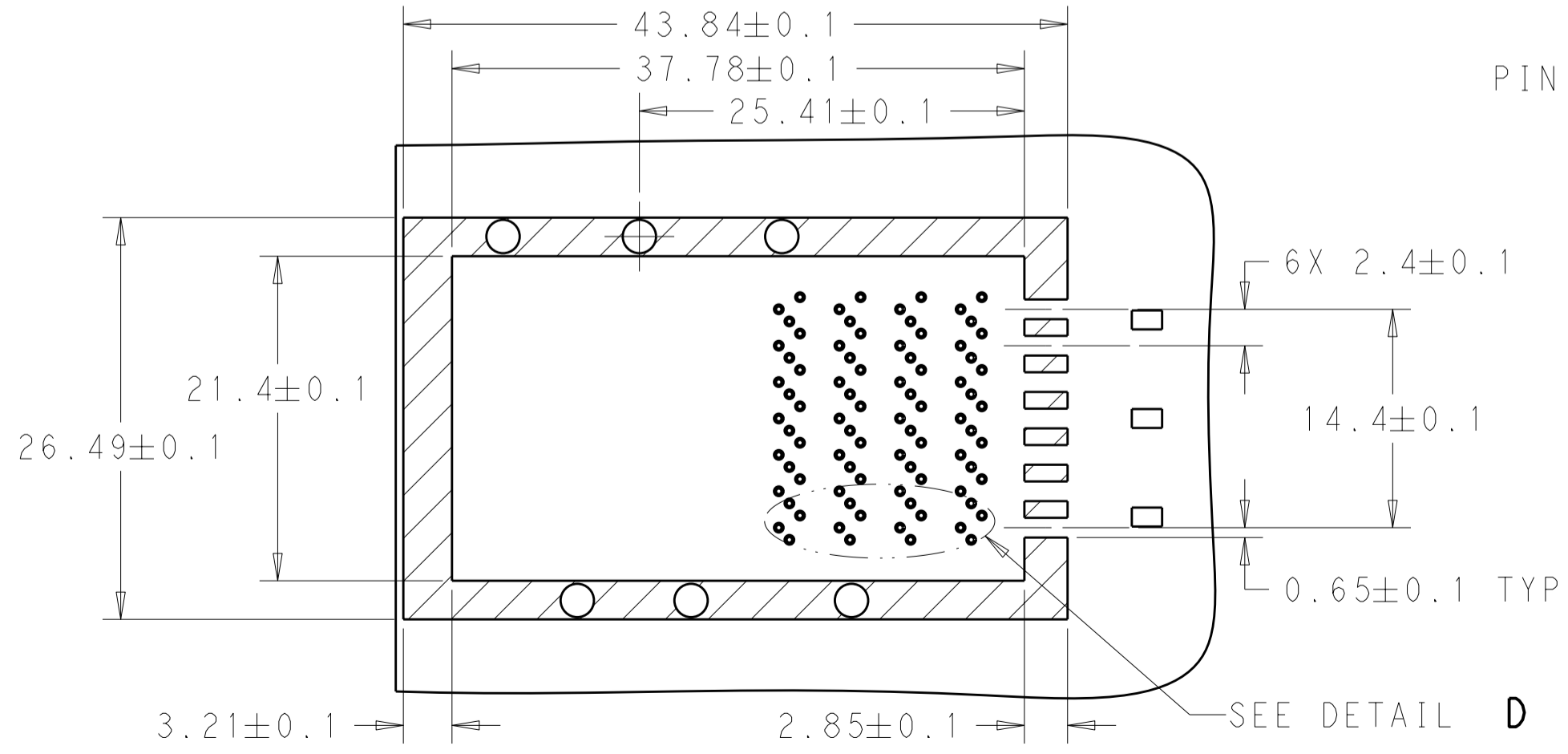


DETAIL D
 PIN CALLOUT (TYPICAL)
 SCALE 5:1

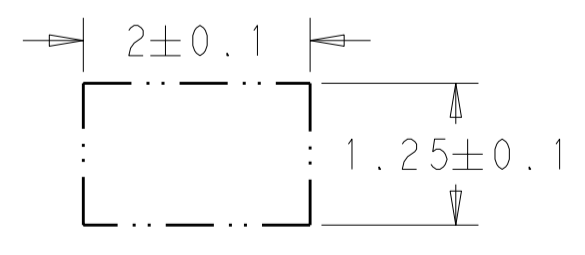
4 84X $\varnothing 0.37 \pm 0.05$
 $\oplus \varnothing 0.1 \text{ L X Y}$



DETAIL C
 RECOMMENDED CONNECTOR LAYOUT
 SCALE 8:1



5 RECOMMENDED KEEPOUT AREA
 SCALE 5:2



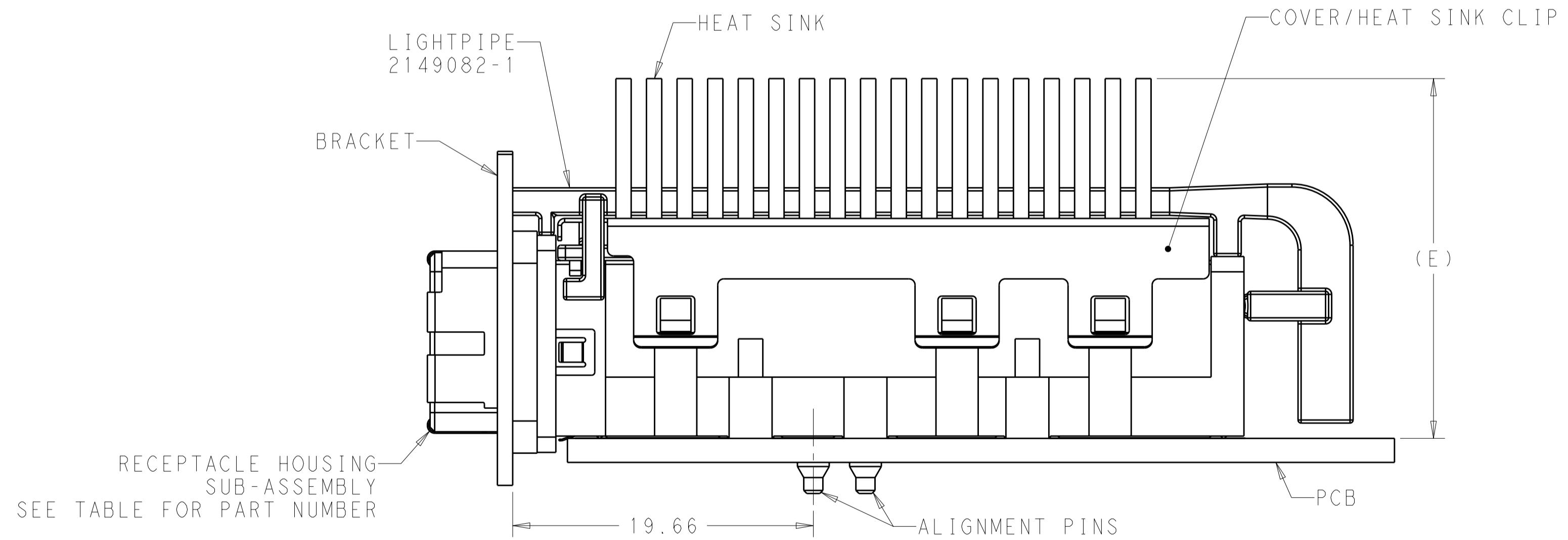
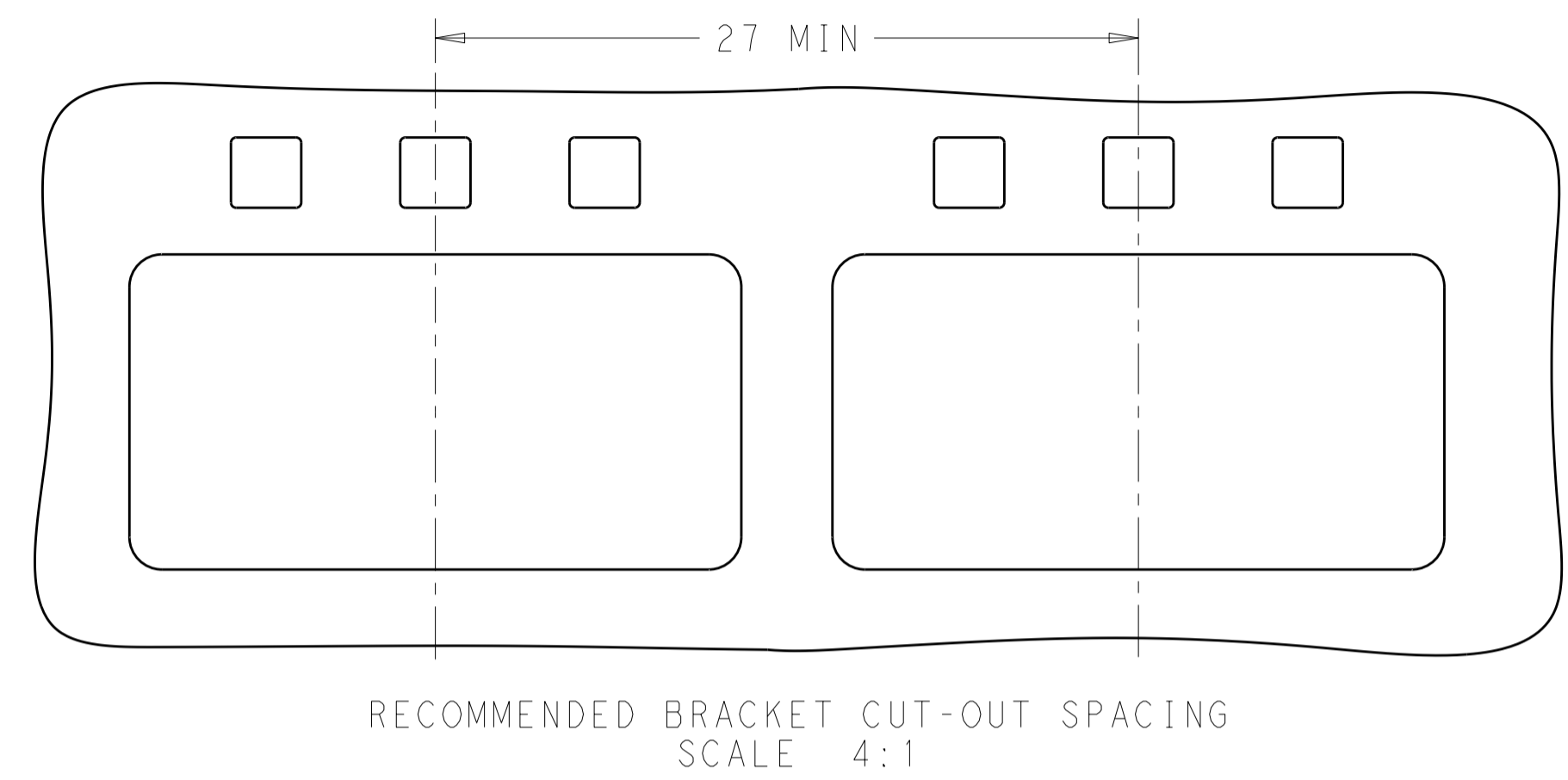
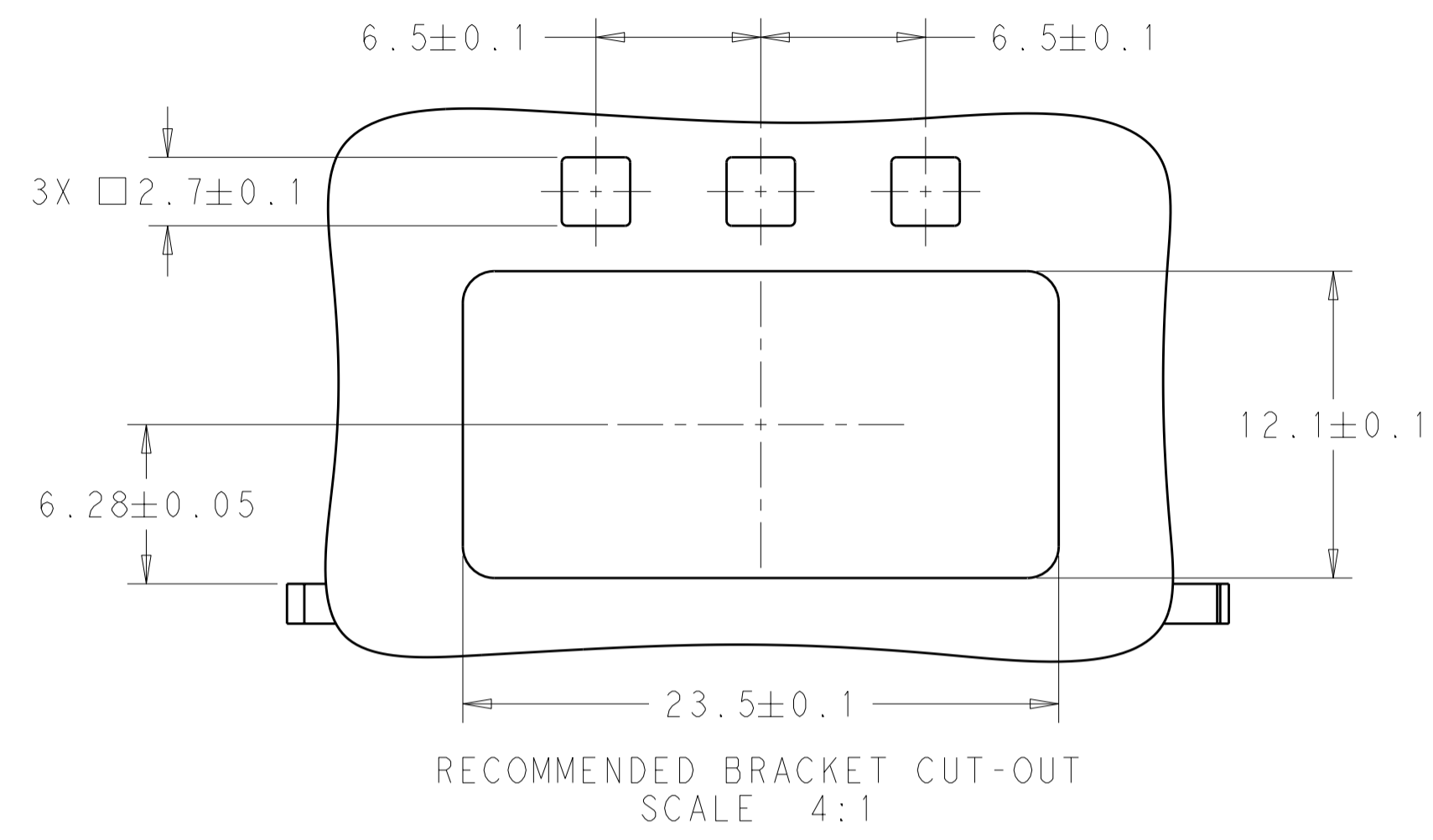
DETAIL F
 3X INDIVIDUALLY
 SCALE 15:1

PRELIMINARY PART- NOT RELEASED FOR PRODUCTION

THIS DRAWING IS A CONTROLLED DOCUMENT.		DWN M.E. COWHER 09 JUN 2010	TE Connectivity
DIMENSIONS: mm		CHK M.D. MORRISON 10 JUN 2010	
TOLERANCES UNLESS OTHERWISE SPECIFIED:		APVD M.D. MORRISON 10 JUN 2010	NAME RECEPTACLE ASSEMBLY WITH LIGHTPIPE AND HEAT SINK, 84 POSITION, CXP
0 PLC ±0.25		PRODUCT SPEC -	SIZE A2
1 PLC ±0.25		APPLICATION SPEC -	CAGE CODE C-2149159
2 PLC ±0.25		WEIGHT -	DRAWING NO. -
3 PLC ±0.25		CUSTOMER DRAWING	RESTRICTED TO -
4 PLC ±0.25		SCALE 1:1	SHEET 4 OF 5
ANGLES ±			REV 7
FINISH ±			
SEE NOTES	SEE TABLE		

THIS DRAWING IS UNPUBLISHED. RELEASED FOR PUBLICATION 20
 © COPYRIGHT 20 BY - ALL RIGHTS RESERVED.

LOC	DIST	REVISIONS			
P	LTR	DESCRIPTION	DATE	DWN	APVD
GP	00	-	SEE SHEET 1	-	-



RECOMMENDED BRACKET LOCATION AND HEIGHT OF HEAT SINK MEASURED FROM PCB
 SCALE 4:1

PRELIMINARY PART- NOT RELEASED FOR PRODUCTION

THIS DRAWING IS A CONTROLLED DOCUMENT.		DWN M.E. COWHER 09 JUN 2010	TE Connectivity	
DIMENSIONS: mm		CHK M.D. MORRISON 10 JUN 2010		
TOLERANCES UNLESS OTHERWISE SPECIFIED:		APVD M.D. MORRISON 10 JUN 2010	NAME RECEPTACLE ASSEMBLY WITH LIGHTPIPE AND HEAT SINK, 84 POSITION, CXP	
0 PLC ±0.25 1 PLC ±0.25 2 PLC ±0.25 3 PLC ±0.25 4 PLC ±0.25		PRODUCT SPEC -	SIZE A200779	
ANGLES ± FINISH		APPLICATION SPEC -	CAGE CODE C-2149159	
MATERIAL SEE NOTES		WEIGHT -	DRAWING NO 2149159	
SEE TABLE		CUSTOMER DRAWING	RESTRICTED TO -	
		SCALE 1:1	SHEET 5 OF 5 REV 7	