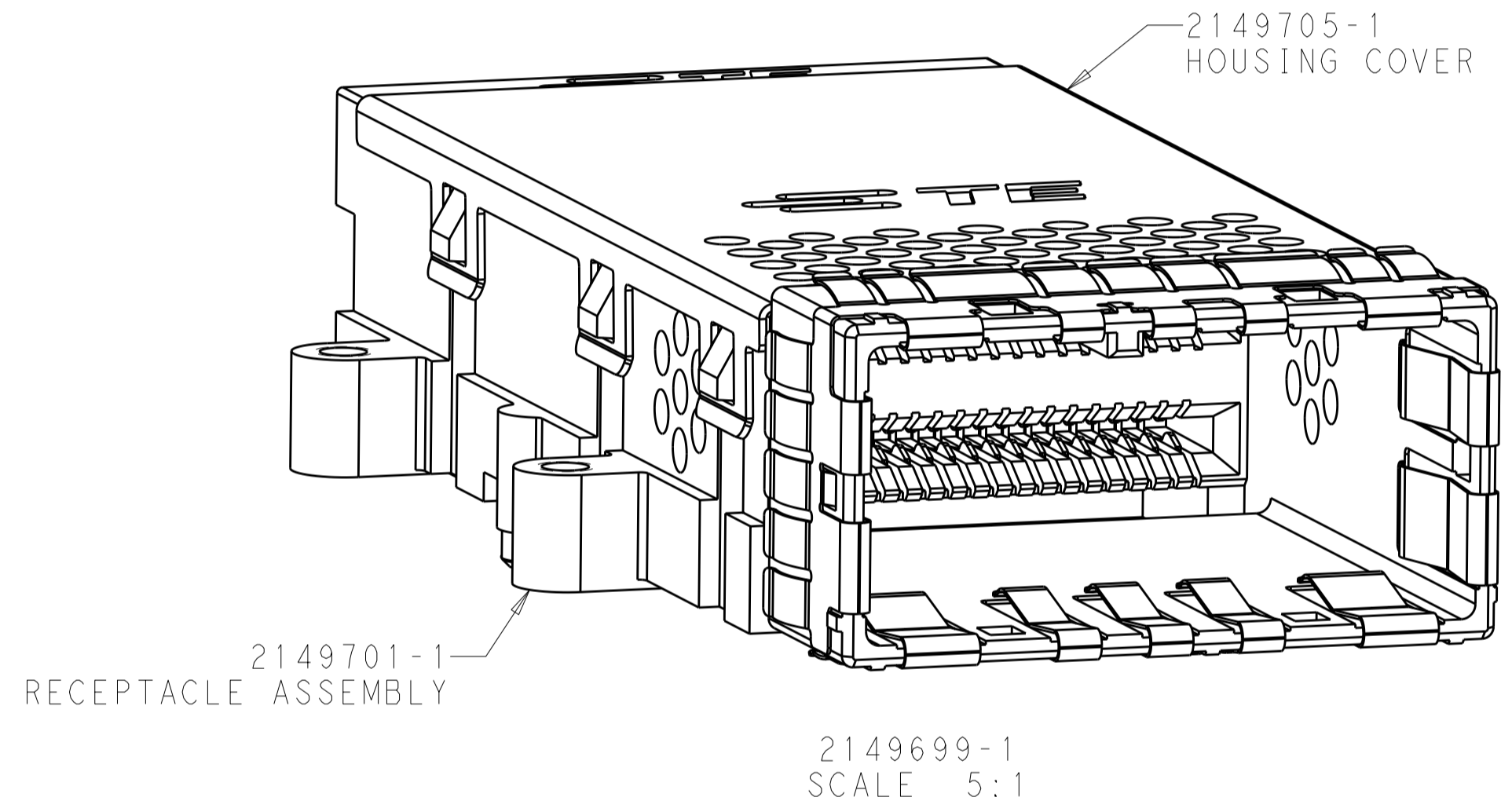


THIS DRAWING IS UNPUBLISHED. RELEASED FOR PUBLICATION 20
 © COPYRIGHT 20 BY - ALL RIGHTS RESERVED.

| LOC | | DIST | | REVISIONS | | | |
|-----|-----|-------------|---------|-----------|------|-----|--|
| P | LTR | DESCRIPTION | DATE | DWN | APVD | | |
| GP | 00 | 8 | REVISED | 21OCT2011 | MEC | MDM | |

1. PARTS PACKAGED UNASSEMBLED
2. PCB THICKNESS = 1.44 MIN
3. THE ENTIRE AREA OF THE CONNECTOR FOOTPRINT, INDICATED BY CROSSHATCHING, TO BE CONSIDERED THE KEEPOUT AREA FOR COMPONENTS AND SIGNAL TRACES, TOP SIDE ONLY, TOP SIDE TRACES ALLOWED WITHIN CONNECTOR HOLE PATTERN, CROSSHATCHING TO BE CONDUCTIVE
4. MOUNTING HARDWARE REQUIRED:
M2X0.4 (4): MOUNTING SCREW LENGTH = BOARD THICKNESS + 8mm MAX
5. MATERIALS:
HOUSING - NICKEL PLATED ZINC ALLOY PER ASTM B 240
RECEPTACLE HOUSING - LCP, BLACK, UL 94V-O RATED
CHICKLET - LCP, BLACK, UL 94V-O RATED
CONTACT - PHOSPHOR BRONZE PER ASTM B 103
EMI SPRING - COPPER ALLOY
6. CONTACT FINISH:
CONFORMS TO THE REQUIREMENTS OF TYCO ELECTRONICS PRODUCT SPECIFICATION 108-2426, BASED ON EIA/ECA-364-1000.01A, (CONTROLLED ENVIRONMENT APPLICATIONS) ON MATING INTERFACE, TIN ON NEEDLE EYE
7. NOTE DELETED



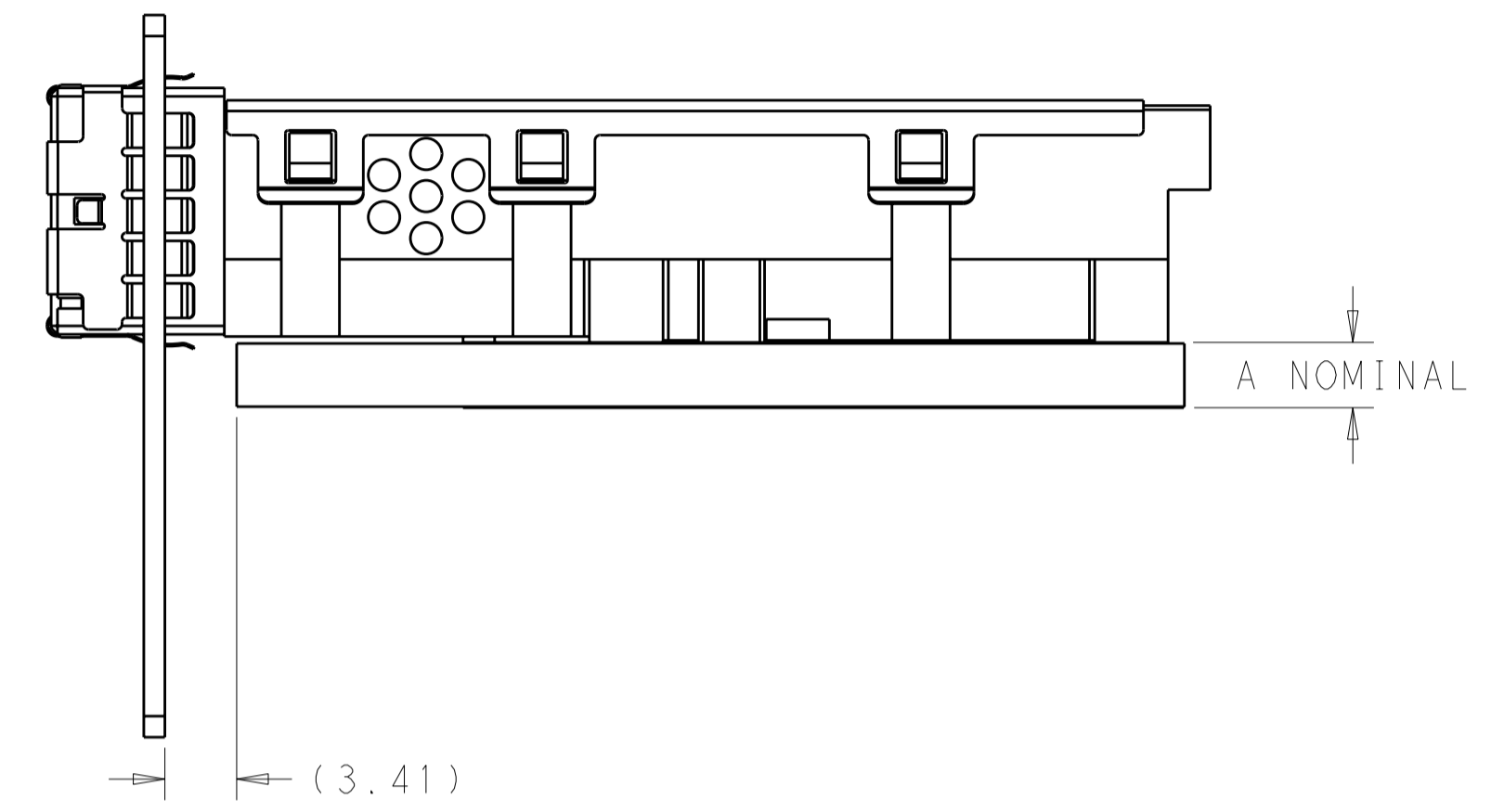
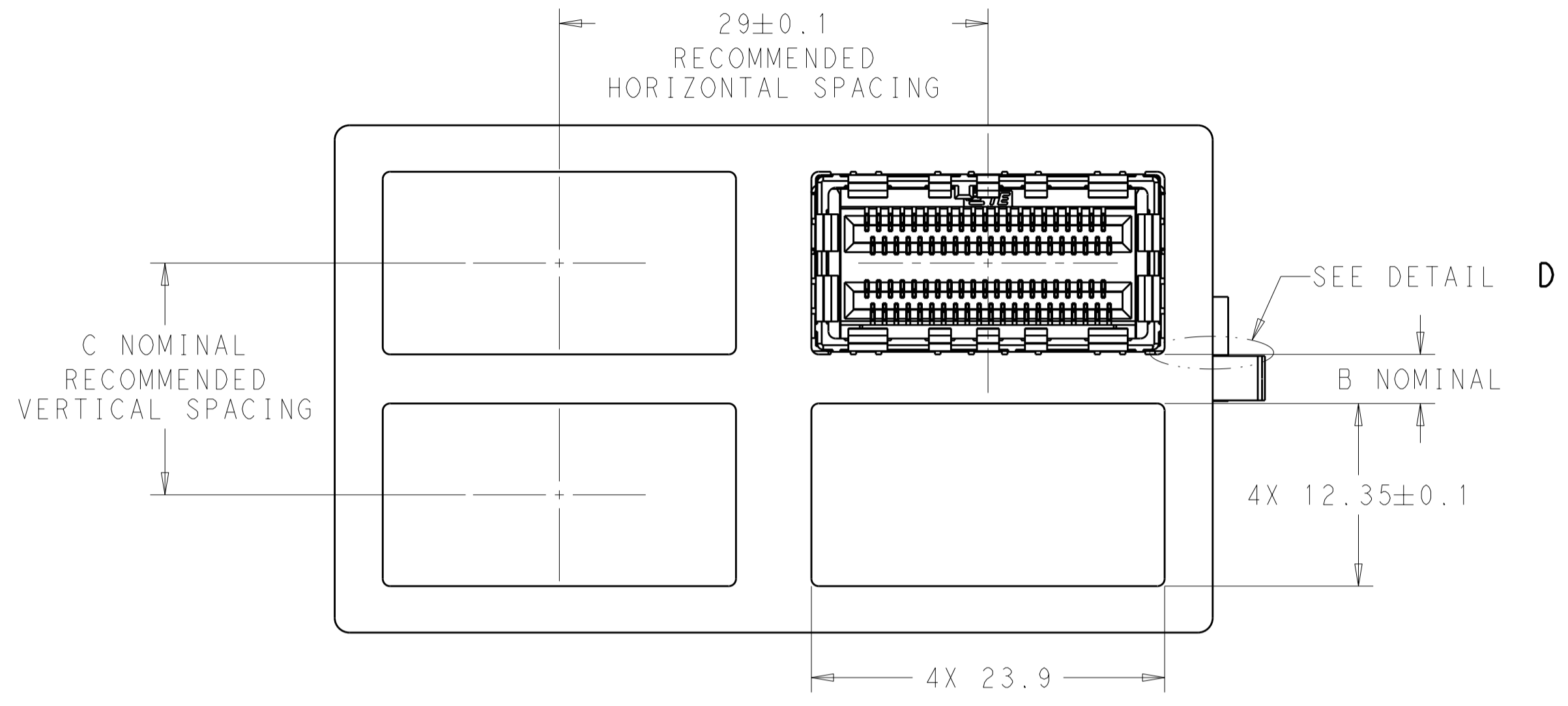
| | | | | |
|-----------------|---------------------------------|--------|--|-------------|
| OBSELETE | 2149701-2 | 7 | 84 POSITION RECEPTACLE ASSEMBLY WITH COVER | 2149699-2 |
| | 2149701-1 | 6 | 84 POSITION RECEPTACLE ASSEMBLY WITH COVER | 2149699-1 |
| | 84 POSITION RECEPTACLE ASSEMBLY | FINISH | DESCRIPTION | PART NUMBER |

PRELIMINARY PART- NOT RELEASED FOR PRODUCTION

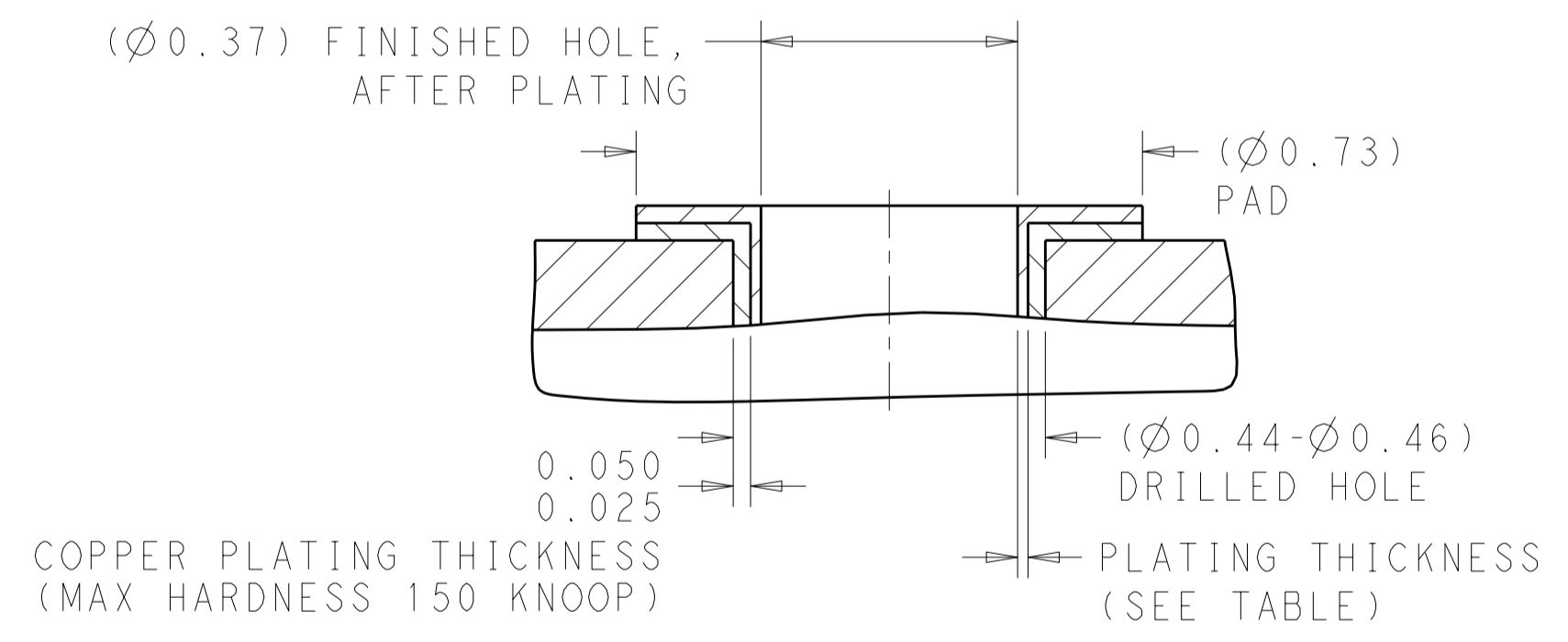
| | | | | |
|---|--|------------------|----------------|---|
| THIS DRAWING IS A CONTROLLED DOCUMENT. | | DWN | 22SEP2010 | STE TE Connectivity |
| DIMENSIONS: mm | | CHK | 06OCT2010 | |
| TOLERANCES UNLESS OTHERWISE SPECIFIED: | | APVD | 06OCT2010 | |
| 0 PLC ±0.2 1 PLC ±0.1 2 PLC ±0.05 3 PLC ± 4 PLC ± ANGLES ±1° FINISH | | NAME | M. D. MORRISON | |
| MATERIAL | | PRODUCT SPEC | | RECEPTACLE ASSEMBLY WITH COVER, BELLY-BELLY, STANDARD, 84 POSITION, CXP |
| | | APPLICATION SPEC | | SIZE CAGE CODE DRAWING NO RESTRICTED TO |
| | | WEIGHT | | A200779C-2149699 |
| | | CUSTOMER DRAWING | SCALE 1:1 | SHEET 1 OF 3 REV 8 |

THIS DRAWING IS UNPUBLISHED. RELEASED FOR PUBLICATION 20
 © COPYRIGHT 20 BY - ALL RIGHTS RESERVED.

| LOC | DIST | REVISIONS | | | |
|-----|------|-------------|-------------|-----|------|
| P | LTR | DESCRIPTION | DATE | DWN | APVD |
| GP | 00 | - | SEE SHEET 1 | - | - |

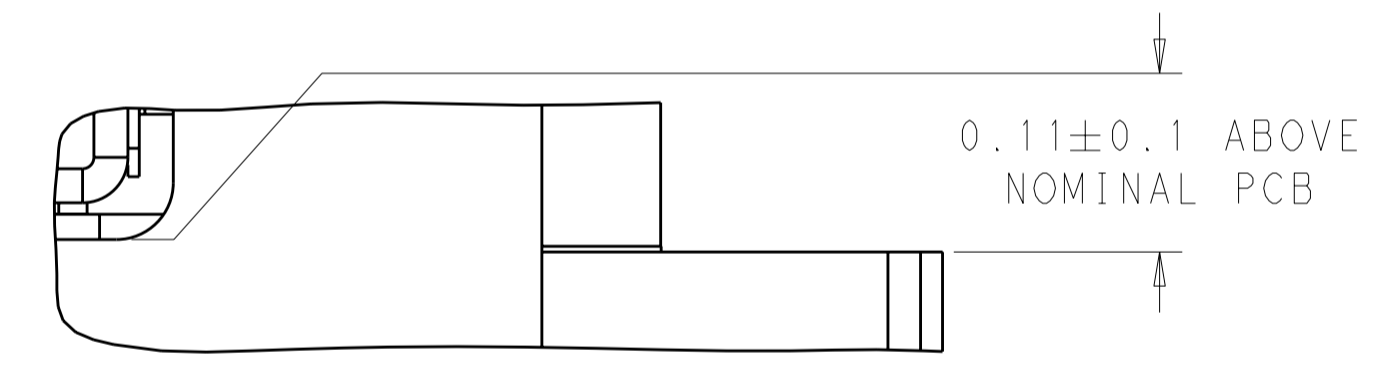


RECOMMENDED BRACKET LAYOUT
SCALE 3:1



RECOMMENDED HOLE DIMENSIONS FOR SIGNAL CONTACTS
SCALE 100:1

| PLATING THICKNESS | TYPE OF PLATING |
|--------------------------------------|--|
| 0.004-0.01 | HOT AIR SOLDER LEVELING (HASL) TIN-LEAD |
| 0.0005-0.002 | IMMERSION TIN |
| 0.0002-0.0005 | ORGANIC SOLDERABILITY PRESERVATIVE (OSP) |
| 0.0001-0.0005 Au, 0.004-0.0076 Ni | IMMERSION GOLD OVER NICKEL (ENIG) |
| 0.0001-0.0005 | IMMERSION SILVER |



DETAIL D
SCALE 15:1

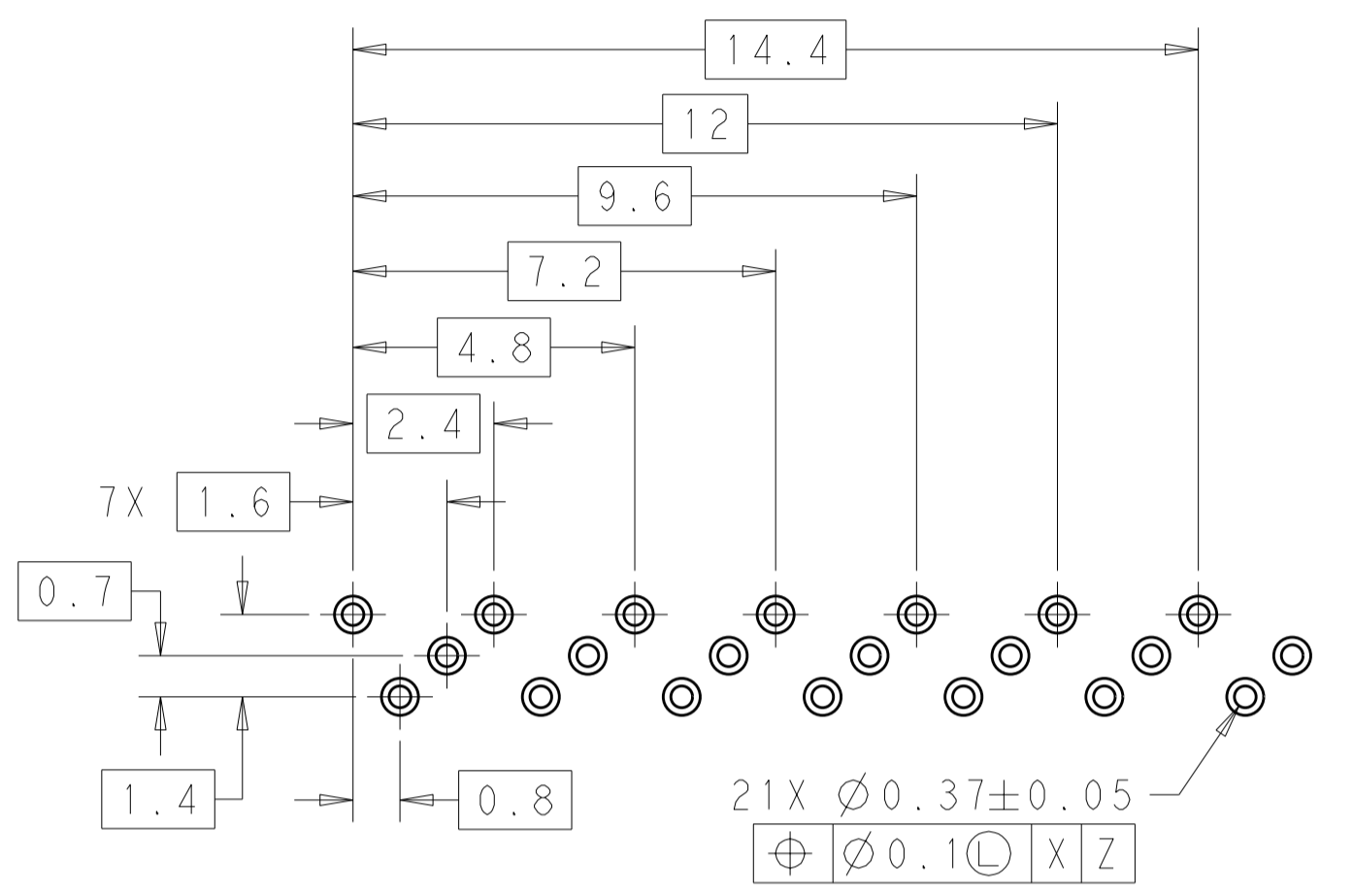
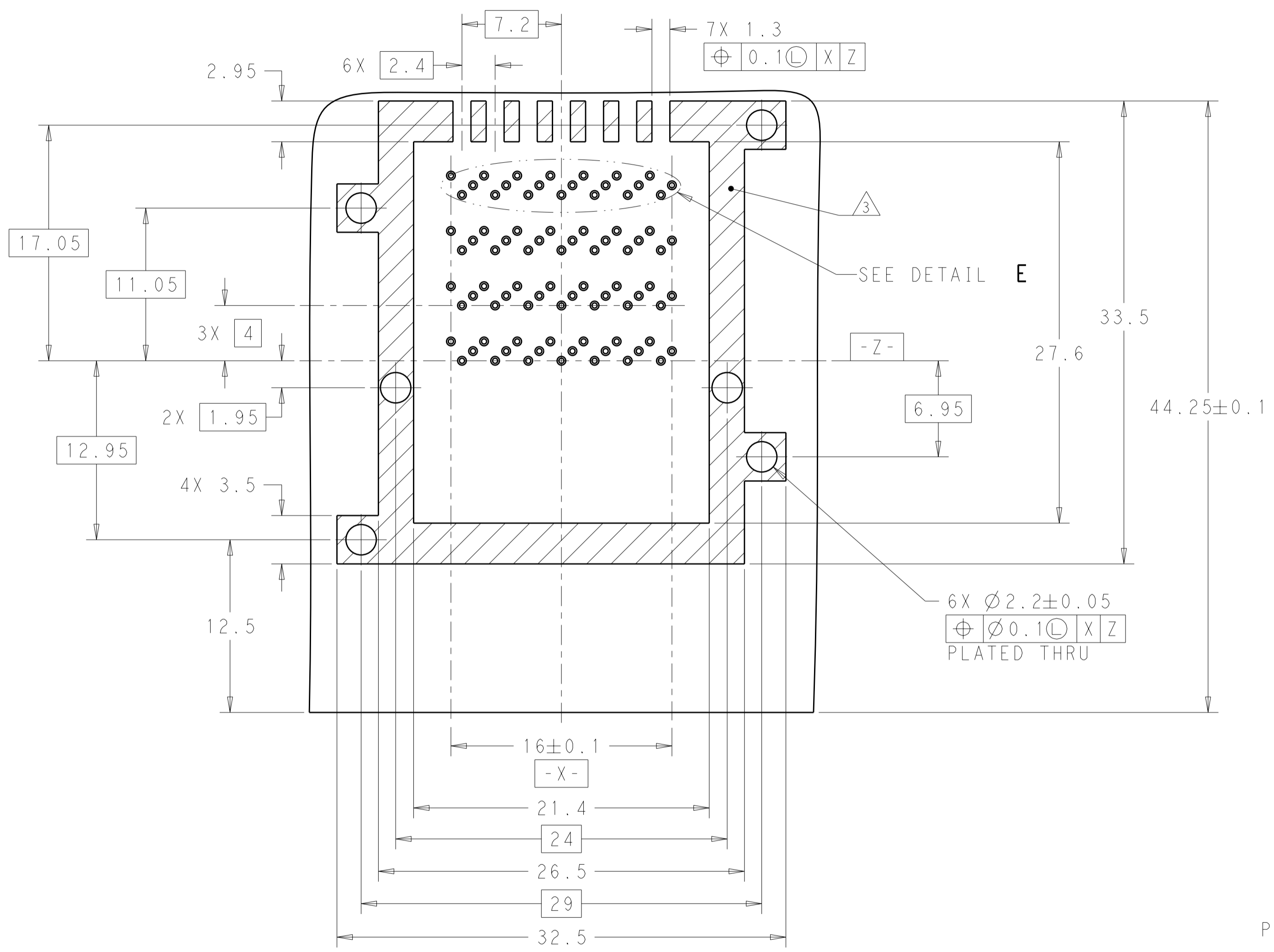
PRELIMINARY PART- NOT RELEASED FOR PRODUCTION

| | | |
|---------|--------|---------------|
| 12.57+A | 0.22+A | PCB THICKNESS |
| C | B | A |

| | | | | |
|---|--|------------------------------------|---|--------------------|
| THIS DRAWING IS A CONTROLLED DOCUMENT. | | DWN M.E. COWHER 22SEP2010 | TE Connectivity | |
| DIMENSIONS: mm | | CHK M.D. MORRISON 06OCT2010 | | |
| TOLERANCES UNLESS OTHERWISE SPECIFIED: | | APVD M.D. MORRISON 06OCT2010 | NAME RECEPTACLE ASSEMBLY WITH COVER, BELLY-BELLY, STANDARD, 84 POSITION, CXP | |
| 0 PLC ±0.2 1 PLC ±0.1 2 PLC ±0.05 3 PLC ± 4 PLC ± ANGLES ±1° FINISH | | PRODUCT SPEC - | SIZE A200779 | |
| MATERIAL - | | APPLICATION SPEC - | DRAWING NO C-2149699 | |
| | | WEIGHT - | RESTRICTED TO - | |
| CUSTOMER DRAWING | | SCALE 1:1 | | SHEET 2 OF 3 REV 8 |

THIS DRAWING IS UNPUBLISHED. RELEASED FOR PUBLICATION 20
 © COPYRIGHT 20 BY - ALL RIGHTS RESERVED.

| LOC | DIST | REVISIONS | | | | | |
|-----|------|-----------|-----|-------------|------|-----|------|
| GP | 00 | P | LTR | DESCRIPTION | DATE | DWN | APVD |
| | | - | | SEE SHEET 1 | | | |



DETAIL E
 4X INDIVIDUALLY
 SCALE 8:1

RECOMMENDED PCB LAYOUT
 COMPONENT SIDE SHOWN
 SCALE 4:1

PRELIMINARY PART- NOT RELEASED FOR PRODUCTION

| | | | | |
|--|--|---------------------------------|---|---------------|
| THIS DRAWING IS A CONTROLLED DOCUMENT. | | DWN 22SEP2010 M.E. COWHER | TE Connectivity NAME RECEPTACLE ASSEMBLY WITH COVER, BELLY-BELLY, STANDARD, 84 POSITION, CXP | |
| DIMENSIONS: mm | | CHK 06OCT2010 M.D. MORRISON | | |
| TOLERANCES UNLESS OTHERWISE SPECIFIED: | | APVD 06OCT2010 M.D. MORRISON | PRODUCT SPEC | SIZE |
| 0 PLC ±0.2 | | APPLICATION SPEC | - | CAGE CODE |
| 1 PLC ±0.1 | | WEIGHT | - | A200779 |
| 2 PLC ±0.05 | | CUSTOMER DRAWING | SCALE 1:1 | DRAWING NO |
| 3 PLC ± | | | | C=2149699 |
| 4 PLC ± | | | | RESTRICTED TO |
| ANGLES ±° | | | | - |
| FINISH | | | | |
| | | | | SHEET 3 OF 3 |
| | | | | REV 8 |