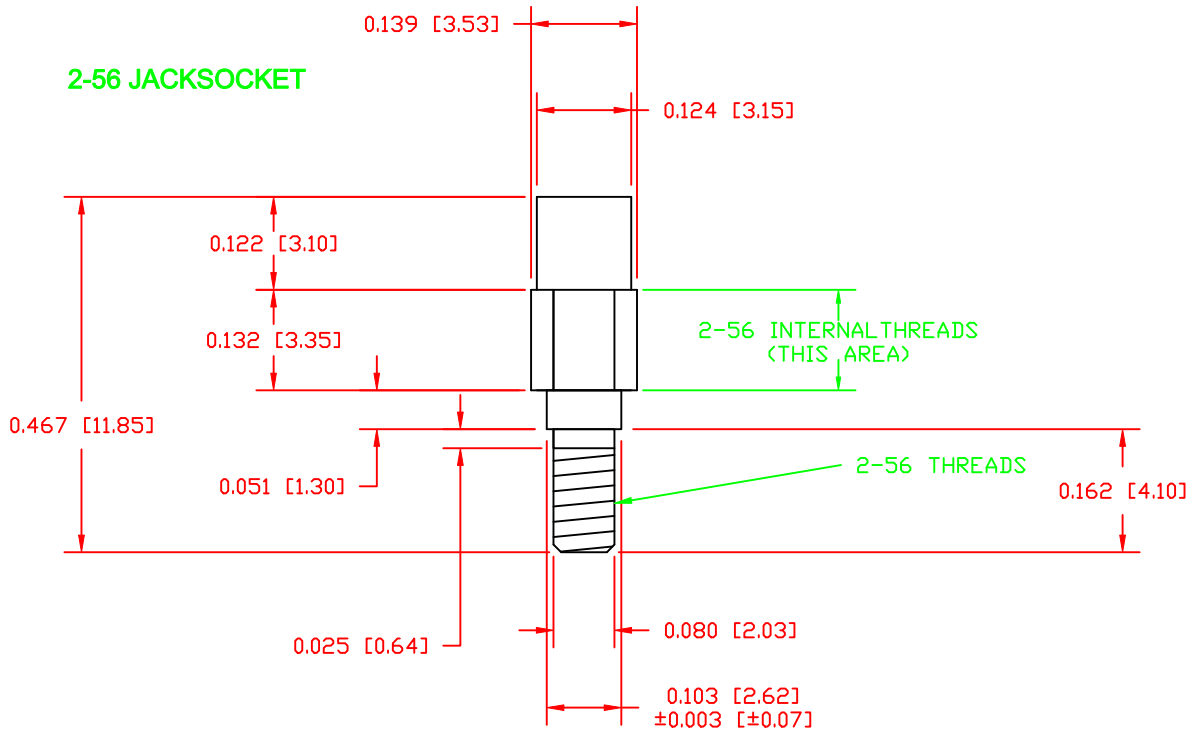
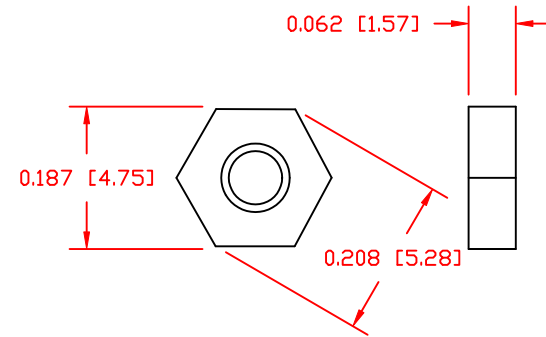


2-56 JACKSOCKET



MATERIAL:

- JACKSOCKETS: BRASS (3604)  
NICKEL PLATED
- SPLIT LOCK WASHER: STEEL  
ZINC PLATED
- 2-56 NUT: STEEL  
ZINC PLATED

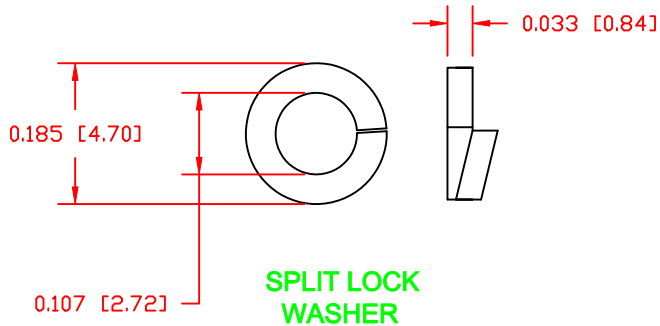
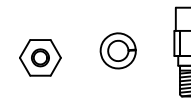


2-56 NUT

KIT INCLUDES:

- (2) 2-56 JACKSOCKETS
- (2) SPLIT LOCK WASHERS
- (2) 2-56 NUTS

ACTUAL SIZE



SPLIT LOCK WASHER

DO NOT SCALE FROM DRAWING



THESE DRAWINGS AND SPECIFICATIONS ARE THE PROPERTY OF NorComp AND SHALL NOT BE REPRODUCED, COPIED OR USED AS THE BASIS FOR THE MANUFACTURE OF SALE OF APPARATUS WITHOUT WRITTEN PERMISSION.

DRAWN: <b>M. SIGMON</b>		DATE: <b>08-09-12</b>	
CHECKED:		DATE:	
SCALE: <b>4 : 1</b>	SHEET <b>1</b>	OF <b>1</b>	REV <b>0</b>
DWG NO.		<b>160-380-000R031</b>	

RoHS COMPLIANT

NorComp