



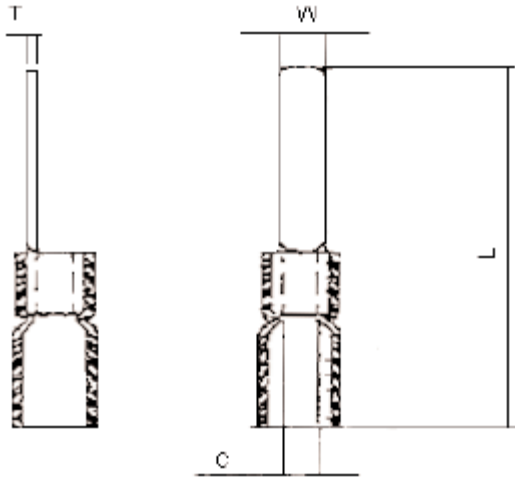
PART NO.

BV, DBVE and DVBVE Series

REVISIONS

ECN #	REV	DESCRIPTION	DRAWN	DATE	CHECKD	DATE	APPRVD	DATE
-	A	RELEASED	SID	19/4/12	AMU	19/4/12		03/5/12

Blade Contact



Dimensions : Millimetres

Wire Range AWG	Maximum Electric Current (A)	Insulation Colours
22 - 16 (1.25 mm <sup>2</sup> )	19	Red
16 - 14 (2 mm <sup>2</sup> )	27	Blue
12 - 10 (5.5 mm <sup>2</sup> )	48	Yellow

Dimension Table

Dimension				Colour	Type	Part Number
W	L	C	T			
2.3	18	-	-	Blue	Blade Contact	DVBVE2-18
2.8	10	4.3	1	Yellow		DBVE5-10

Dimensions : Millimetres

Butt Splice



Specification Table

Current Rating (A)	Colours	Packaging	Type	Part Number
19	Red	100 per pack	Butt splice	BV1
27	Blue			BV2
48	Yellow			BV5

Specifications:

Terminal Material : Copper  
 Insulation Material : Vinyl  
 Maximum Electrical Rating : 75°C 600 Volts

www.element14.com  
 www.farnell.com  
 www.newark.com

**Important Notice :** This data sheet and its contents (the "Information") belong to the members of the Premier Farnell group of companies (the "Group") or are licensed to it. No licence is granted for the use of it other than for information purposes in connection with the products to which it relates. No licence of any intellectual property rights is granted. The Information is subject to change without notice and replaces all data sheets previously supplied. The Information supplied is believed to be accurate but the Group assumes no responsibility for its accuracy or completeness, any error in or omission from it or for any use made of it. Users of this data sheet should check for themselves the information and the suitability of the products for their purpose and not make any assumptions based on information included or omitted. Liability for loss or damage resulting from any reliance on the information or use of it (including liability resulting from negligence or where the Group was aware of the possibility of such loss or damage arising) is excluded. This will not operate to limit or restrict the Group's liability for death or personal injury resulting from its negligence. Multicomp is the registered trademark of the Group. © Premier Farnell plc 2012.

**TOLERANCES:**  
 UNLESS OTHERWISE SPECIFIED, DIMENSIONS ARE FOR REFERENCE PURPOSES ONLY.

DRAWN BY:	DATE:
SID	19/04/12
CHECKED BY:	DATE:
AMU	19/04/12
APPROVED BY:	DATE:
	03/05/12

DRAWING TITLE:			
<b>Blade Contact and Butt Splice</b>			
SIZE	DWG NO.	ELECTRONIC FILE	REV
A	M100000034	8849_DWG	A
SCALE: NTS	U.O.M.: mm	SHEET: 1 OF 1	