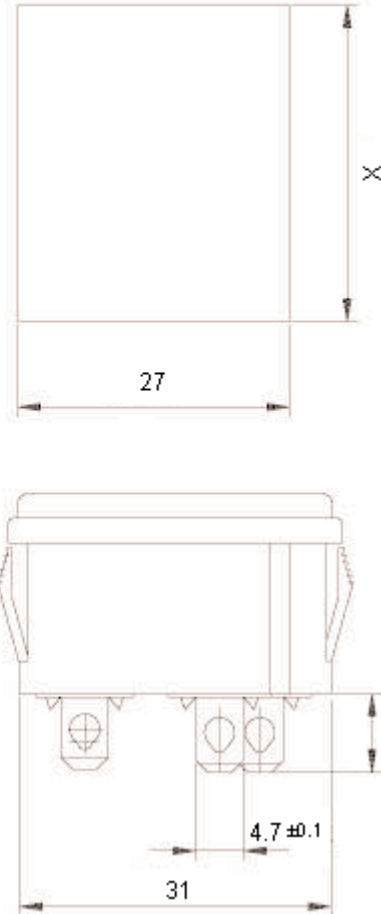
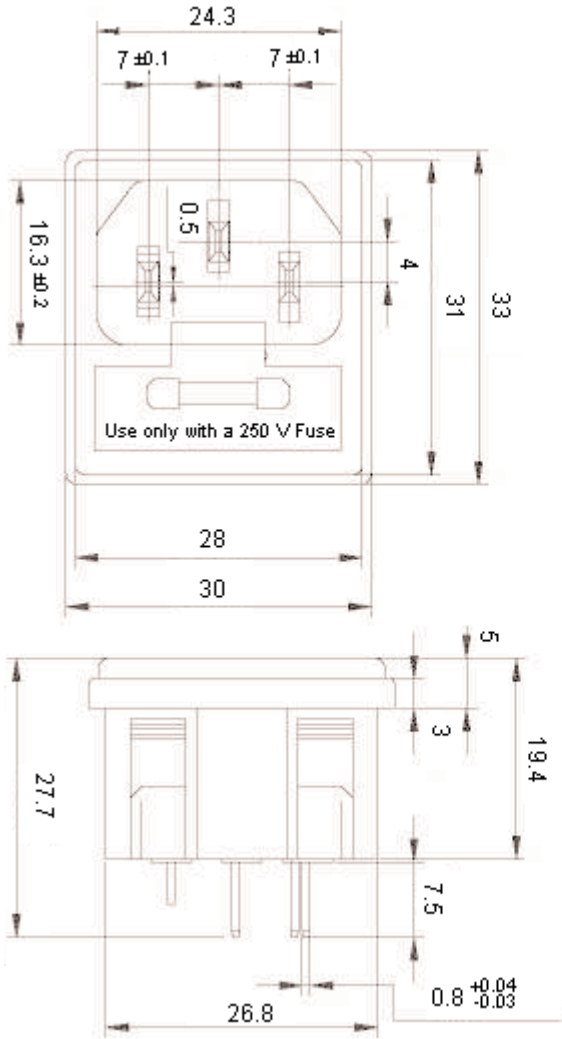


REVISIONS

ECN #	REV	DESCRIPTION	DRAWN	DATE	CHECKD	DATE	APPRVD	DATE
-	A	RELEASED	CHE	06/6/12	SHA	06/6/12		20/6/12



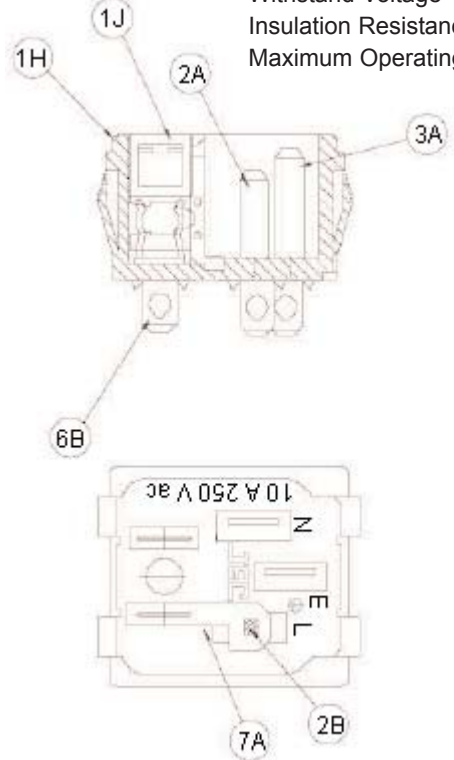
Thickness
 1.3 - 2 t (X = 31.6)
 0.8 - 1.2 t (X = 31.4)

Features :

- Panel mount fused IEC inlet
- Solder terminals 7.5 × 4.7 × 0.8 mm

Specifications :

Rating	: 10 A 250 V ac
Withstand Voltage	: 2,000 V ac 1 minute
Insulation Resistance	: More than 100 MΩ (at 500 V dc)
Maximum Operating Temperature	: -25 °C to +85 °C



Dimensions : Millimetres

Important Notice : This data sheet and its contents (the "Information") belong to the members of the Premier Farnell group of companies (the "Group") or are licensed to it. No licence is granted for the use of it other than for information purposes in connection with the products to which it relates. No licence of any intellectual property rights is granted. The Information is subject to change without notice and replaces all data sheets previously supplied. The Information supplied is believed to be accurate but the Group assumes no responsibility for its accuracy or completeness, any error in or omission from it or for any use made of it. Users of this data sheet should check for themselves the information and the suitability of the products for their purpose and not make any assumptions based on information included or omitted. Liability for loss or damage resulting from any reliance on the Information or use of it (including liability resulting from negligence or where the Group was aware of the possibility of such loss or damage arising) is excluded. This will not operate to limit or restrict the Group's liability for death or personal injury resulting from its negligence. Multicomp is the registered trademark of the Group. © Premier Farnell plc 2012.

TOLERANCES:
 UNLESS OTHERWISE SPECIFIED, DIMENSIONS ARE FOR REFERENCE PURPOSES ONLY.

DRAWN BY:	DATE:
CHE	06/06/12
CHECKED BY:	DATE:
SHA	06/06/12
APPROVED BY:	DATE:
	20/06/12

DRAWING TITLE:			
IEC Inlets - Snap Fit			
SIZE	DWG NO.	ELECTRONIC FILE	REV
A	M100000071	296901_DWG	A
SCALE: NTS		U.O.M.: mm	SHEET: 1 OF 2



PART NO.

JR-101-1FS

REVISIONS

ECN #	REV	DESCRIPTION	DRAWN	DATE	CHECKD	DATE	APPRVD	DATE
-	A	RELEASED	CHE	06/6/12	SHA	06/6/12		20/6/12

Part	Description	Qty	Material	Notes	Part Number	
1H	Body	1	Nylon 66	-	Q101-01I	
1J	Fuse Cover			-	∠1	Q101-01J
2B	Edge Terminal	2	Bsp1-1 / 2H	t = 2	Q101-02B	
6B	Fuse Holder	1 to 2		t = 0.8	Sn-plated	Q101-06B
7A	Connector	1		t = 0.6		Q101-07A

Specification Table

Fuse Drawer	Panel Thickness	Panel Cut Out	Height Above Panel	Part Number
5 × 20	0.8 - 2	27 × 31.5	5	JR-101-1FS

www.element14.com
www.farnell.com
www.newark.com

Important Notice : This data sheet and its contents (the "Information") belong to the members of the Premier Farnell group of companies (the "Group") or are licensed to it. No licence is granted for the use of it other than for information purposes in connection with the products to which it relates. No licence of any intellectual property rights is granted. The Information is subject to change without notice and replaces all data sheets previously supplied. The Information supplied is believed to be accurate but the Group assumes no responsibility for its accuracy or completeness, any error in or omission from it or for any use made of it. Users of this data sheet should check for themselves the information and the suitability of the products for their purpose and not make any assumptions based on information included or omitted. Liability for loss or damage resulting from any reliance on the Information or use of it (including liability resulting from negligence or where the Group was aware of the possibility of such loss or damage arising) is excluded. This will not operate to limit or restrict the Group's liability for death or personal injury resulting from its negligence. Multicomp is the registered trademark of the Group. © Premier Farnell plc 2012.

TOLERANCES:
UNLESS OTHERWISE SPECIFIED, DIMENSIONS ARE FOR REFERENCE PURPOSES ONLY.

DRAWN BY:	DATE:
CHE	06/06/12
CHECKED BY:	DATE:
SHA	06/06/12
APPROVED BY:	DATE:
	20/06/12

DRAWING TITLE:			
IEC Inlets - Snap Fit			
SIZE	DWG NO.	ELECTRONIC FILE	REV
A	M100000071	296901_DWG	A
SCALE: NTS		U.O.M.: mm	SHEET: 2 OF 2