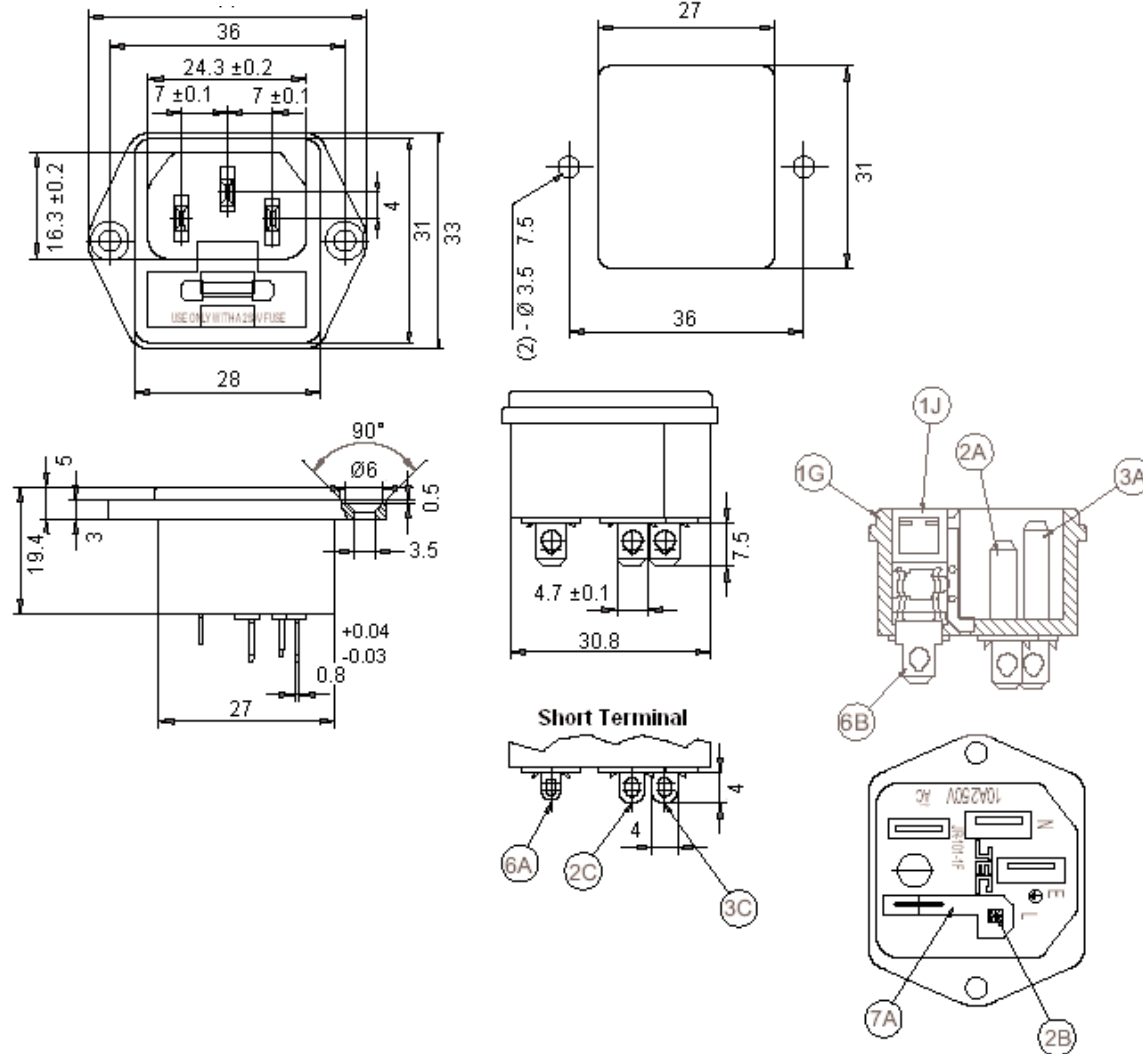


REVISIONS

ECN #	REV	DESCRIPTION	DRAWN	DATE	CHECKD	DATE	APPRVD	DATE
-	A	RELEASED	SID	15/6/12	AMU	15/6/12		29/6/12

Fused IEC Inlet



Specifications:

Rating	: 10 A 250 V ac
Withstand Voltage	: 2,000 V ac 1 Minute
Insulation Resistance	: More than 100 MΩ (at 500 V dc)
Maximum Operating Temperature	: -25°C to +85°C

Dimensions : Millimetres

**Important Notice :** This data sheet and its contents (the "Information") belong to the members of the Premier Farnell group of companies (the "Group") or are licensed to it. No licence is granted for the use of it other than for information purposes in connection with the products to which it relates. No licence of any intellectual property rights is granted. The Information is subject to change without notice and replaces all data sheets previously supplied. The Information supplied is believed to be accurate but the Group assumes no responsibility for its accuracy or completeness, any error in or omission from it or for any use made of it. Users of this data sheet should check for themselves the Information and the suitability of the products for their purpose and not make any assumptions based on information included or omitted. Liability for loss or damage resulting from any reliance on the Information or use of it (including liability resulting from negligence or where the Group was aware of the possibility of such loss or damage arising) is excluded. This will not operate to limit or restrict the Group's liability for death or personal injury resulting from its negligence. Multicomp is the registered trademark of the Group. © Premier Farnell plc 2012.

TOLERANCES:

UNLESS OTHERWISE SPECIFIED, DIMENSIONS ARE FOR REFERENCE PURPOSES ONLY.

DRAWN BY:	DATE:
SID	15/06/12
CHECKED BY:	DATE:
AMU	15/06/12
APPROVED BY:	DATE:
	15/06/12

DRAWING TITLE:

**Inlet, IEC Panel Fused**

SIZE	DWG NO.	ELECTRONIC FILE	REV
A	M100000070	29641_DWG	A
SCALE: NTS	U.O.M.: mm	SHEET: 1 OF 2	



PART NO.

JR-101-1F

REVISIONS

ECN #	REV	DESCRIPTION	DRAWN	DATE	CHECKD	DATE	APPRVD	DATE
-	A	RELEASED	SID	15/6/12	AMU	15/6/12		29/6/12

Item	Description	Qty	Material	Notes	Plating	Part No.
1I	Body	1	Nylon #66	-	∠1	Q101-01I
1J	Fuse Cover					Q101-01J
2B	Edge Terminal	2	Bsp1-1/2H	t = 2	Sn-plated	Q101-02B
3B	Centre Terminal	1		t = 2		Q101-03B
4F	Connection Terminal	2		t = 0.8		Q101-04F
6A	Fuse Holder (Shopt)	1		t = 0.5		Q101-06A
6B	Fuse Holder	1 or 2		t = 0.8		Q101-06B
7A	Connector	1		t = 0.6		Q101-07A

Specifications Table

Panel Cut-out	Solder Tags	Fuse Drawer	Part Number
27 × 31	7.3 × 4.7 × 0.8	5 × 20	JR-101-1F

Dimensions : Millimetres

www.element14.com  
www.farnell.com  
www.newark.com

**Important Notice :** This data sheet and its contents (the "Information") belong to the members of the Premier Farnell group of companies (the "Group") or are licensed to it. No licence is granted for the use of it other than for information purposes in connection with the products to which it relates. No licence of any intellectual property rights is granted. The Information is subject to change without notice and replaces all data sheets previously supplied. The Information supplied is believed to be accurate but the Group assumes no responsibility for its accuracy or completeness, any error in or omission from it or for any use made of it. Users of this data sheet should check for themselves the Information and the suitability of the products for their purpose and not make any assumptions based on information included or omitted. Liability for loss or damage resulting from any reliance on the Information or use of it (including liability resulting from negligence or where the Group was aware of the possibility of such loss or damage arising) is excluded. This will not operate to limit or restrict the Group's liability for death or personal injury resulting from its negligence. Multicomp is the registered trademark of the Group. © Premier Farnell plc 2012.

**TOLERANCES:**  
**UNLESS OTHERWISE SPECIFIED, DIMENSIONS ARE FOR REFERENCE PURPOSES ONLY.**

<b>DRAWN BY:</b>	<b>DATE:</b>
SID	15/06/12
<b>CHECKED BY:</b>	<b>DATE:</b>
AMU	15/06/12
<b>APPROVED BY:</b>	<b>DATE:</b>
	15/06/12

<b>DRAWING TITLE:</b>			
<b>Inlet, IEC Panel Fused</b>			
<b>SIZE</b>	<b>DWG NO.</b>	<b>ELECTRONIC FILE</b>	<b>REV</b>
A	M100000070	29641_DWG	A
<b>SCALE: NTS</b>		<b>U.O.M.: mm</b>	<b>SHEET: 2 OF 2</b>