



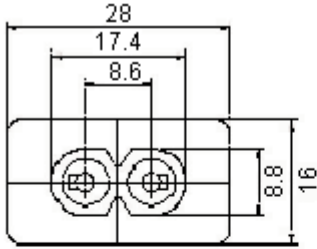
PART NO.

JR-201S

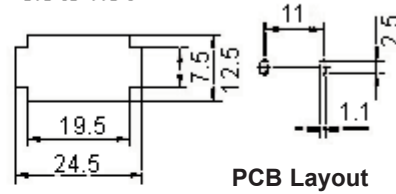
REVISIONS

| ECN # | REV | DESCRIPTION | DRAWN | DATE | CHECKD | DATE | APPRVD | DATE |
|-------|-----|-------------|-------|---------|--------|---------|--------|---------|
| - | A | RELEASED | KUM | 18/6/12 | SID | 18/6/12 | | 02/7/12 |

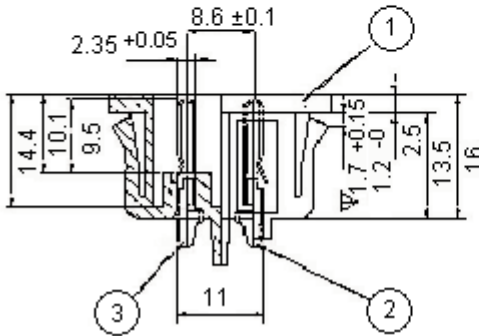
PCB Mount



Thickness
0.8 to 1.5 t



PCB Layout



Dimensions : Millimetres

Feature:

- PCB terminals, 2.5 × 1, 1 mm, pinning 11 mm

Specifications:

Material

Housing : Thermoplastic, nylon 66
Terminal : Copper alloy, Sn plated

Characteristics

Insulation Resistance : >100 mΩ at 500 V dc
Dielectric Strength : 2,000 V ac 1 minute
Operating Temperature : -25°C to +85°C (maximum)
Soldering : 280°C for 3 seconds
Contact Rating : 2.5 at 250 V ac
Forces necessary to insert and to withdraw the connector is 1 Kg to 5 Kg

| Item No. | Description | Qty | Material | Part No. | Notes | Rev |
|----------|-------------|-----|----------|----------|-----------|---------|
| 1 | Body | 1 | NYLON | #66 | - | - |
| 2 | Terminal | 1 | PBP1-H | t = 0.3 | Sn-plated | 201-02C |
| 3 | | | | | | 201-02B |

Specification Table

| Panel Thickness | Panel Cut Out | Length of Solder Tail | Part Number |
|-----------------|---------------|-----------------------|-------------|
| 0.8 to 1.5 | 12.5 to 24.5 | 5.3 | JR-201S |

Dimensions : Millimetres

www.element14.com
www.farnell.com
www.newark.com

Important Notice : This data sheet and its contents (the "Information") belong to the members of the Premier Farnell group of companies (the "Group") or are licensed to it. No licence is granted for the use of it other than for information purposes in connection with the products to which it relates. No licence of any intellectual property rights is granted. The Information is subject to change without notice and replaces all data sheets previously supplied. The Information supplied is believed to be accurate but the Group assumes no responsibility for its accuracy or completeness, any error in or omission from it or for any use made of it. Users of this data sheet should check for themselves the information and the suitability of the products for their purpose and not make any assumptions based on information included or omitted. Liability for loss or damage resulting from any reliance on the Information or use of it (including liability resulting from negligence or where the Group was aware of the possibility of such loss or damage arising) is excluded. This will not operate to limit or restrict the Group's liability for death or personal injury resulting from its negligence. Multicomp is the registered trademark of the Group. © Premier Farnell plc 2012.

TOLERANCES:
UNLESS OTHERWISE SPECIFIED, DIMENSIONS ARE FOR REFERENCE PURPOSES ONLY.

| | |
|---------------------|--------------|
| DRAWN BY: | DATE: |
| KUM | 18/6/12 |
| CHECKED BY: | DATE: |
| SID | 18/06/12 |
| APPROVED BY: | DATE: |
| | 02/07/12 |

| DRAWING TITLE: | | | |
|--------------------------|------------|-----------------|-----|
| Figure "8" Inlets | | | |
| SIZE | DWG NO. | ELECTRONIC FILE | REV |
| A | M100000072 | 29643_DWG | A |
| SCALE: NTS | U.O.M.: mm | SHEET: 1 OF 1 | |