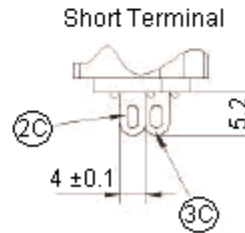
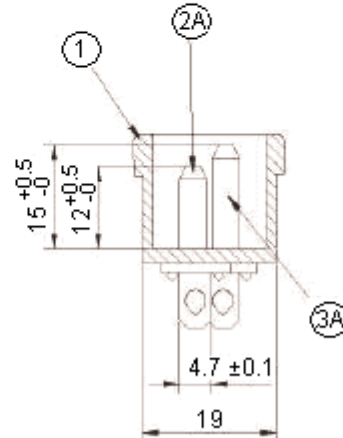
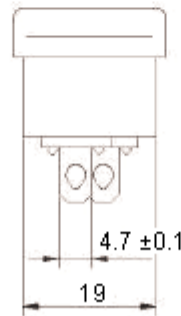
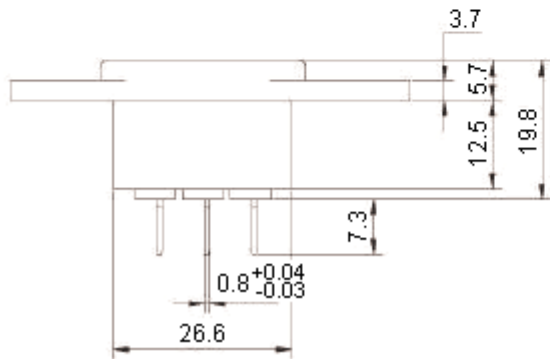
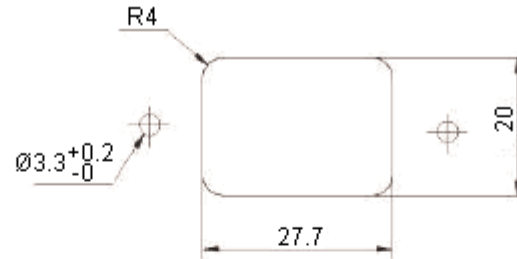
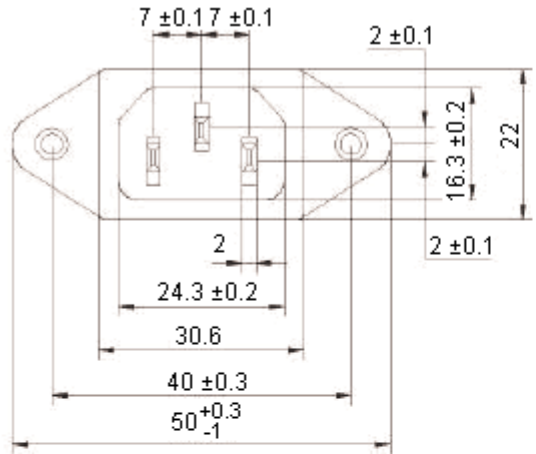


REVISIONS

ECN #	REV	DESCRIPTION	DRAWN	DATE	CHECKD	DATE	APPRVD	DATE
-	A	RELEASED	SID	18/6/12	AMU	18/6/12		02/7/12



Feature:

- Solder terminals 7.3 × 4.7 × 0.8 mm

Specifications:

Contact Rating	: 10 A 250 V ac
Withstand Voltage	: 2,000 V ac 1 minute
Insulation Resistance	: More than 100 MΩ (at 500 V dc)
Operating Temperature	: -25°C to +85°C
Housing	: Nylon 66

Dimensions : Millimetres

**Important Notice :** This data sheet and its contents (the "Information") belong to the members of the Premier Farnell group of companies (the "Group") or are licensed to it. No licence is granted for the use of it other than for information purposes in connection with the products to which it relates. No licence of any intellectual property rights is granted. The Information is subject to change without notice and replaces all data sheets previously supplied. The Information supplied is believed to be accurate but the Group assumes no responsibility for its accuracy or completeness, any error in or omission from it or for any use made of it. Users of this data sheet should check for themselves the information and the suitability of the products for their purpose and not make any assumptions based on information included or omitted. Liability for loss or damage resulting from any reliance on the Information or use of it (including liability resulting from negligence or where the Group was aware of the possibility of such loss or damage arising) is excluded. This will not operate to limit or restrict the Group's liability for death or personal injury resulting from its negligence. Multicomp is the registered trademark of the Group. © Premier Farnell plc 2012.

TOLERANCES:

UNLESS OTHERWISE SPECIFIED, DIMENSIONS ARE FOR REFERENCE PURPOSES ONLY.

DRAWN BY:	DATE:
SID	18/06/12
CHECKED BY:	DATE:
AMU	18/06/12
APPROVED BY:	DATE:
	02/07/12

DRAWING TITLE:

Inlet IEC Flange Fixing

SIZE	DWG NO.	ELECTRONIC FILE	REV
A	M100000074	29646_DWG	A
SCALE: NTS	U.O.M.: mm	SHEET: 1 OF 2	



PART NO.

JR-101

REVISIONS

ECN #	REV	DESCRIPTION	DRAWN	DATE	CHECKD	DATE	APPRVD	DATE
-	A	RELEASED	SID	18/6/12	AMU	18/6/12		02/7/12

1	Body	1	PBT	-	-	-
2A	Contact	2	Bsp1-1/2 H	2t	Sn-Plated	Q101-02A
2C						Q101-02C
3A	Grounding Contact	1				Q101-03A
3C						Q101-03C

Part Number Table

Panel Cut Out	Part Number
27.7 × 20	JR-101

Dimensions : Millimetres

www.element14.com  
www.farnell.com  
www.newark.com

**Important Notice :** This data sheet and its contents (the "Information") belong to the members of the Premier Farnell group of companies (the "Group") or are licensed to it. No licence is granted for the use of it other than for information purposes in connection with the products to which it relates. No licence of any intellectual property rights is granted. The Information is subject to change without notice and replaces all data sheets previously supplied. The Information supplied is believed to be accurate but the Group assumes no responsibility for its accuracy or completeness, any error in or omission from it or for any use made of it. Users of this data sheet should check for themselves the information and the suitability of the products for their purpose and not make any assumptions based on information included or omitted. Liability for loss or damage resulting from any reliance on the Information or use of it (including liability resulting from negligence or where the Group was aware of the possibility of such loss or damage arising) is excluded. This will not operate to limit or restrict the Group's liability for death or personal injury resulting from its negligence. Multicomp is the registered trademark of the Group. © Premier Farnell plc 2012.

**TOLERANCES:**  
**UNLESS OTHERWISE SPECIFIED, DIMENSIONS ARE FOR REFERENCE PURPOSES ONLY.**

<b>DRAWN BY:</b>	<b>DATE:</b>
SID	18/06/12
<b>CHECKED BY:</b>	<b>DATE:</b>
AMU	18/06/12
<b>APPROVED BY:</b>	<b>DATE:</b>
	02/07/12

<b>DRAWING TITLE:</b>			
<b>Inlet IEC Flange Fixing</b>			
<b>SIZE</b>	<b>DWG NO.</b>	<b>ELECTRONIC FILE</b>	<b>REV</b>
A	M100000074	29646_DWG	A
<b>SCALE: NTS</b>		<b>U.O.M.: mm</b>	<b>SHEET: 2 OF 2</b>