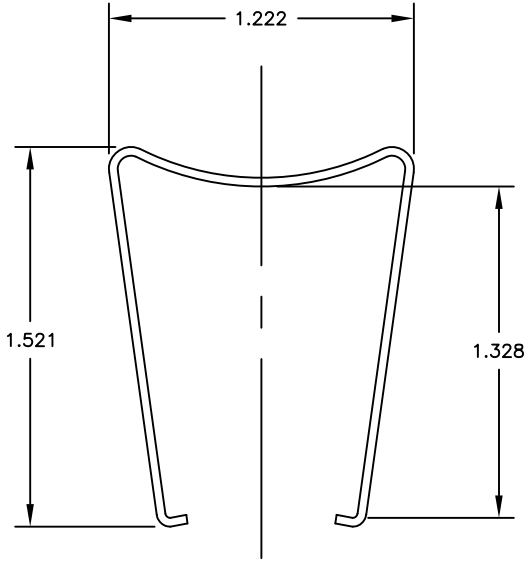
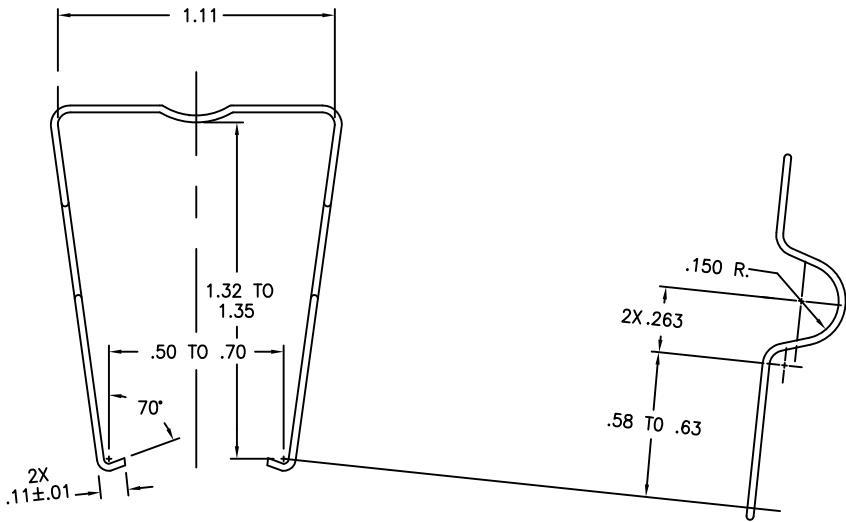


THIS DRAWING IS UNPUBLISHED. RELEASED FOR PUBLICATION
 © COPYRIGHT - By - ALL RIGHTS RESERVED.

LOC	DIST	REVISIONS			
P	LTR	DESCRIPTION	DATE	DWN	APVD
-	-	A	RELEASE IN SYSTEM	24SEP12	DH WW

MATERIAL: TYPE 302 .035 DIA STAINLESS STEEL SPRING TEMPER



ALTERNATE SPRING DESIGN

TE PART NUMBER: 1419111-2

THIS DRAWING IS A CONTROLLED DOCUMENT.		DWN M BIRCH	05NOV75	STE TE Connectivity													
DIMENSIONS: INCHES		CHK -	APVD -			NAME KHAU HOLD DOWN SPRING FOR 27E166 TYPE SOCKETS											
TOLERANCES UNLESS OTHERWISE SPECIFIED:		PRODUCT SPEC -		RESTRICTED TO -													
<table border="0"> <tr><td>0 PLC</td><td>± -</td></tr> <tr><td>1 PLC</td><td>± -</td></tr> <tr><td>2 PLC</td><td>± -</td></tr> <tr><td>3 PLC</td><td>± -</td></tr> <tr><td>4 PLC</td><td>± -</td></tr> <tr><td>ANGLES</td><td>± -</td></tr> </table>		0 PLC	± -	1 PLC	± -	2 PLC	± -	3 PLC	± -	4 PLC	± -	ANGLES	± -	APPLICATION SPEC -		SIZE A3	CAGE CODE 00779
0 PLC	± -																
1 PLC	± -																
2 PLC	± -																
3 PLC	± -																
4 PLC	± -																
ANGLES	± -																
MATERIAL		WEIGHT -		DRAWING NO C=20C217													
FINISH -		CUSTOMER DRAWING		SCALE NTS	SHEET 1 OF 1												