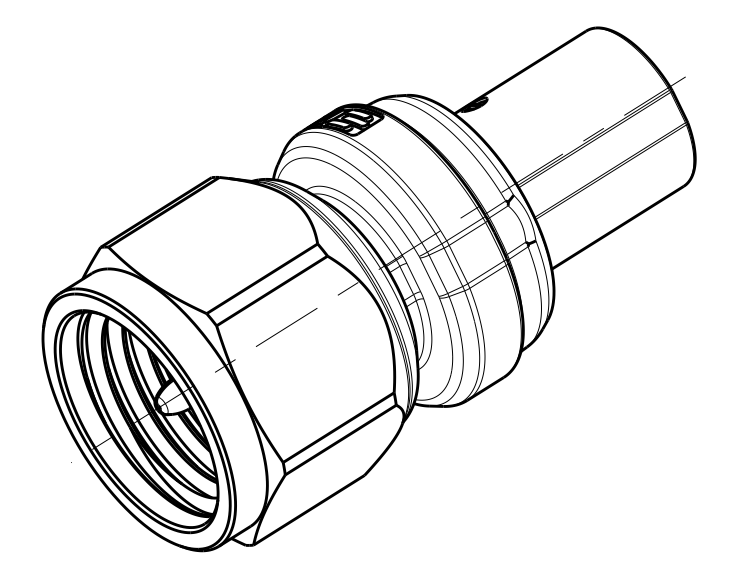
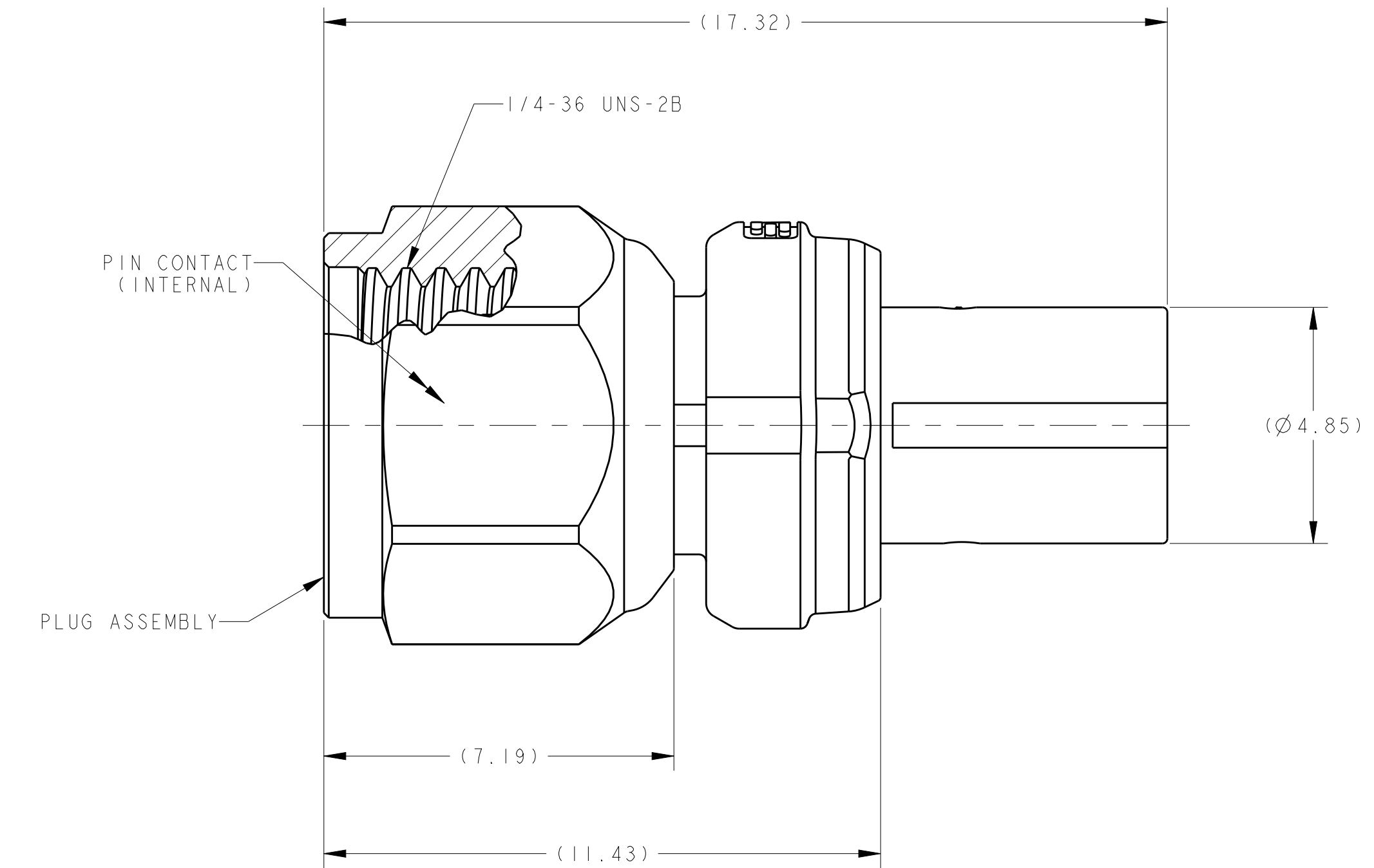
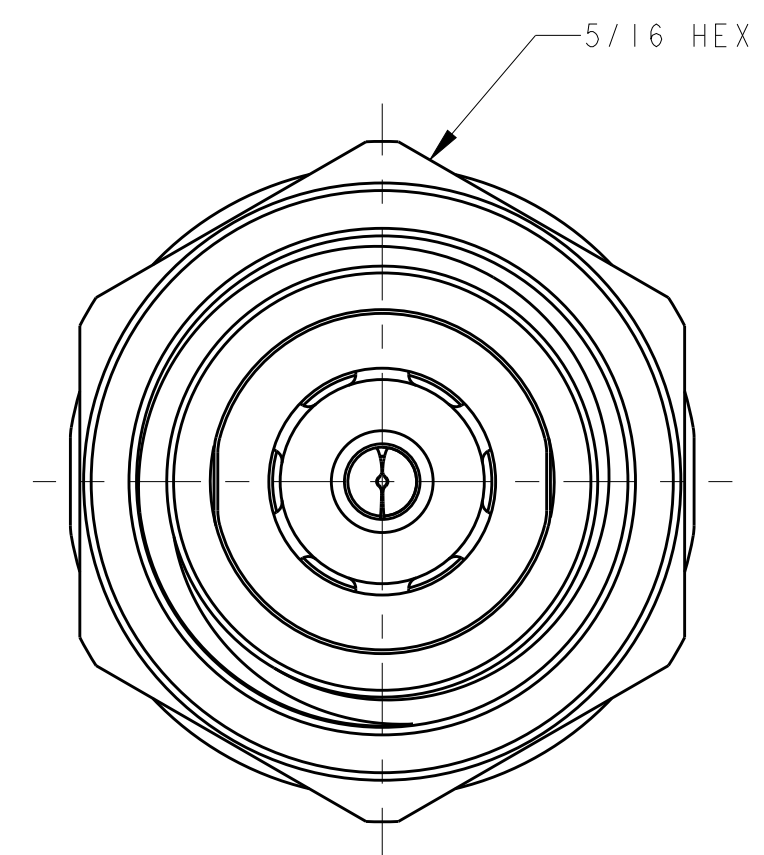


LOC	DIST	REVISIONS					
		P	LTN	DESCRIPTION	DATE	DWN	APVD
AJ	00	A		RELEASED	19SEP2012	KF	KW



SMA-PS-1A-S SHOWN
SCALE 5:1

CONFIGURATION A
(SMA-PS-1A-S AND SMA-PS-1A-B ONLY)
SHOWN

- MATERIAL:
 PLUG ASSEMBLY: PLUG HOUSING AND CRIMP END, ZINC; DIELECTRIC, POLYMETHYLPENTENE;
 COUPLING NUT, COPPER ALLOY; GASKET, SILICONE.
 PIN CONTACT, FERRULE AND SLEEVE: COPPER ALLOY.
- PLATING:
 PLUG ASSEMBLY: PLUG HOUSING AND COUPLING NUT, NICKEL PLATE;
 CRIMP END, NICKEL PLATE OR TIN PLATE.
 PIN CONTACT: GOLD PLATED AT INTERFACE, TIN PLATED AT CRIMP END.
 FERRULE: NICKEL PLATE
 SLEEVE: TIN PLATE.
- ALL ITEMS ARE SHIPPED LOOSE PIECE.
- DIMENSIONS SHOWN IN "CONFIGURATION A" APPLY UNLESS OTHERWISE INDICATED.
- SEE INSTRUCTION SHEET 408-32032 FOR CABLE PREPARATION AND TERMINATION DETAILS.

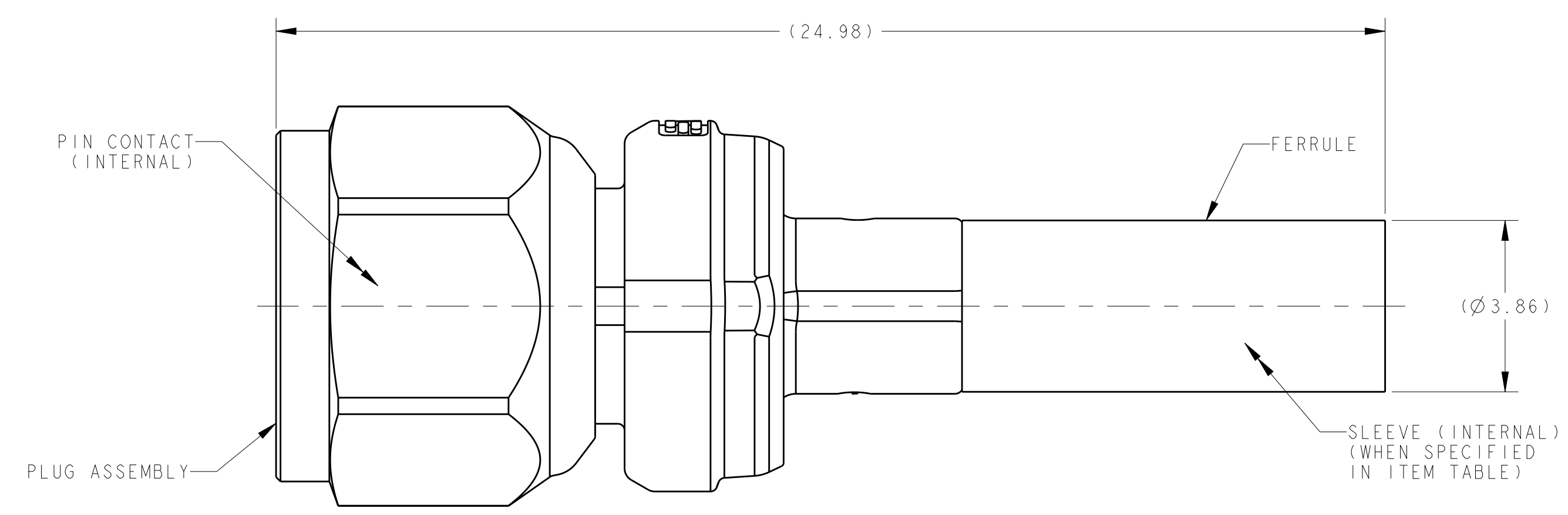
BULK	RG-178, 196	SEE CONFIGURATION B	2081228-2	2081214-2	2081183-3	2081196-2	1-2081202-2	SMA-PS-ID-B
SINGLE	RG-178, 196	SEE CONFIGURATION B	2081228-2	2081214-2	2081183-3	2081196-2	1-2081202-1	SMA-PS-ID-S
BULK	RG-405, RG-405 FLEX	SEE CONFIGURATION E	-	-	2081183-3	2081196-4	1-2081202-0	SMA-PS-IC-B
SINGLE	RG-405, RG-405 FLEX	SEE CONFIGURATION E	-	-	2081183-3	2081196-4	2081202-9	SMA-PS-IC-S
BULK	RG-58, 141, 142, 223, 400	SEE CONFIGURATION D	-	2081214-4	2081183-3	2081196-3	2081202-8	SMA-PS-IG-B
SINGLE	RG-58, 141, 142, 223, 400	SEE CONFIGURATION D	-	2081214-4	2081183-3	2081196-3	2081202-7	SMA-PS-IG-S
BULK	RD-316, K02252D	SEE CONFIGURATION C	-	2081214-6	2081183-3	2081196-2	2081202-6	SMA-PS-IB-B
SINGLE	RD-316, K02252D	SEE CONFIGURATION C	-	2081214-6	2081183-3	2081196-2	2081202-5	SMA-PS-IB-S
BULK	RG-174, 188, 316	SEE CONFIGURATION B	-	2081214-2	2081183-3	2081196-2	2081202-4	SMA-PS-IF-B
SINGLE	RG-174, 188, 316	SEE CONFIGURATION B	-	2081214-2	2081183-3	2081196-2	2081202-3	SMA-PS-IF-S
BULK	RG-402, RG-402 FLEX	SEE CONFIGURATION A	-	-	2081183-3	2081196-1	2081202-2	SMA-PS-IA-B
SINGLE	RG-402, RG-402 FLEX	SEE CONFIGURATION A	-	-	2081183-3	2081196-1	2081202-1	SMA-PS-IA-S
PACKAGING	CABLE TYPES USED	ALTERNATIVE CONFIGURATION VIEW	SLEEVE QTY. = 1	FERRULE QTY. = 1	PIN CONTACT QTY. = 1	PLUG ASSEMBLY QTY. = 1	PART NUMBER	PART NUMBER (CONFIGURABLE)

THIS DRAWING IS A CONTROLLED DOCUMENT.

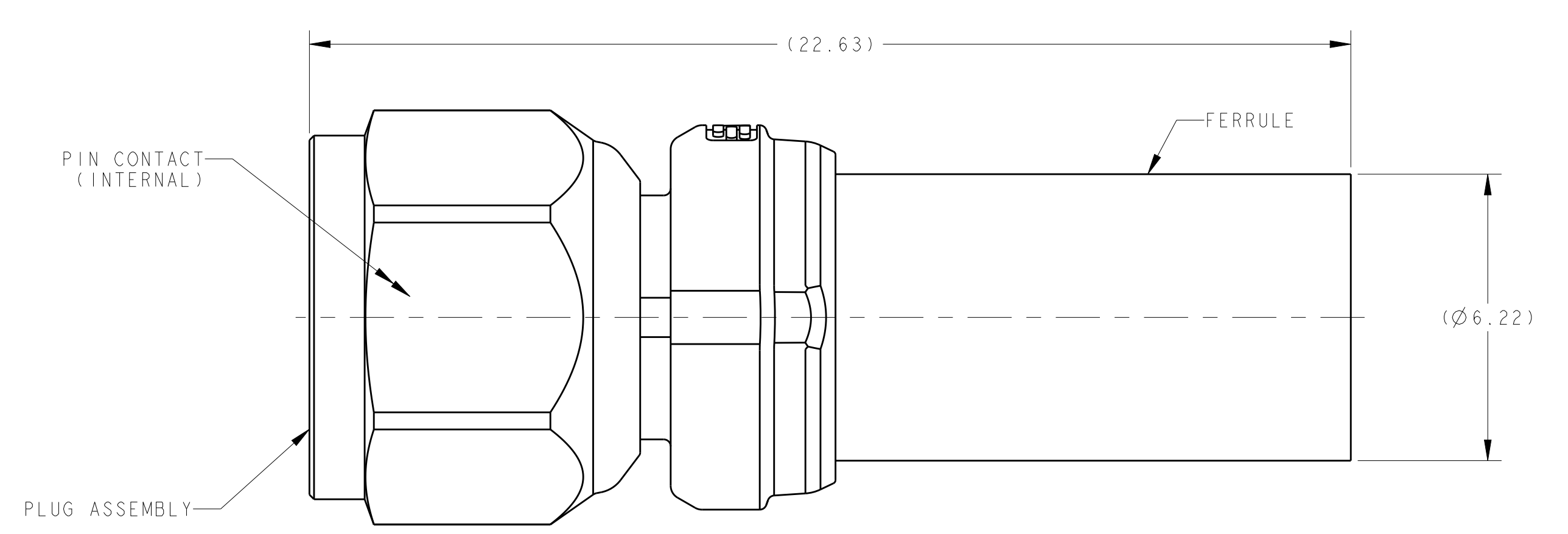
DIMENSIONS:	TOLERANCES UNLESS OTHERWISE SPECIFIED:	DWN K. FOLTZ 15SEP2011	NAME
mm	0 PLC ± 1 PLC ± 2 PLC ± 3 PLC ± 4 PLC ± ANGLES ±	CHK K. WEIDNER 16SEP2011	SMA, STRAIGHT, PLUG KIT
MATERIAL SEE NOTES	FINISH SEE NOTES	APVD K. WEIDNER 16SEP2011	PRODUCT SPEC 108-60094
		Customer Drawing	SIZE A100779

TE Connectivity
SMA, STRAIGHT, PLUG KIT
SCALE 10:1 SHEET 1 OF 2 REV A

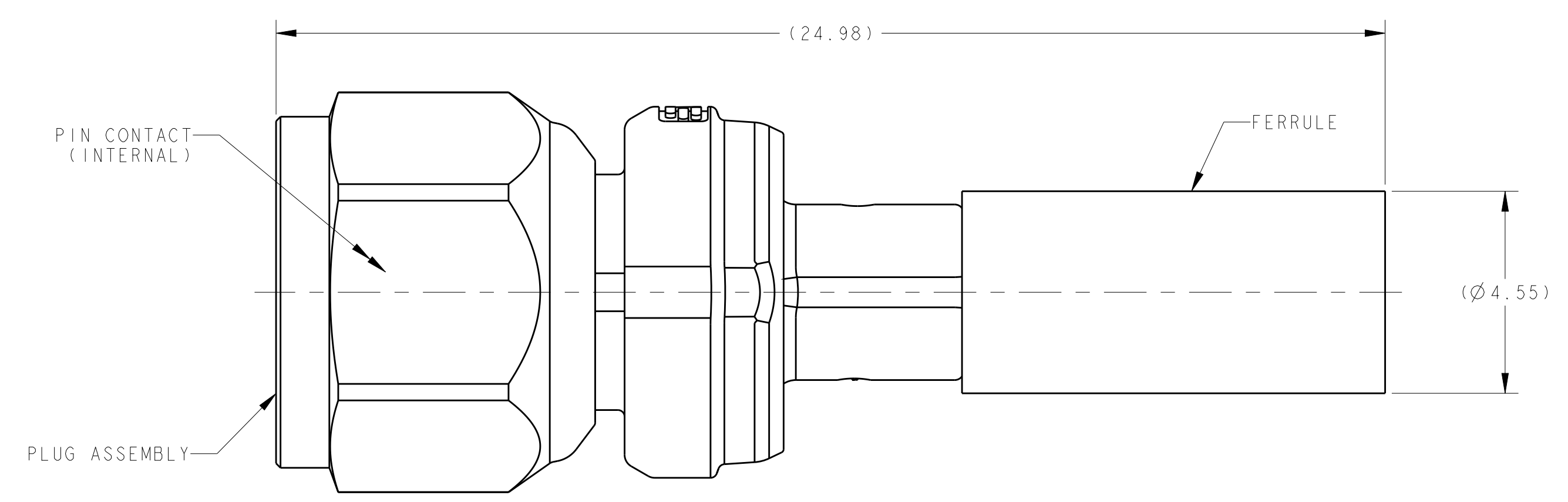
LOC	DIST	REVISIONS			
P	LTN	DESCRIPTION	DATE	DMN	APVD
AJ	00	SEE SHEET 1	-	-	-



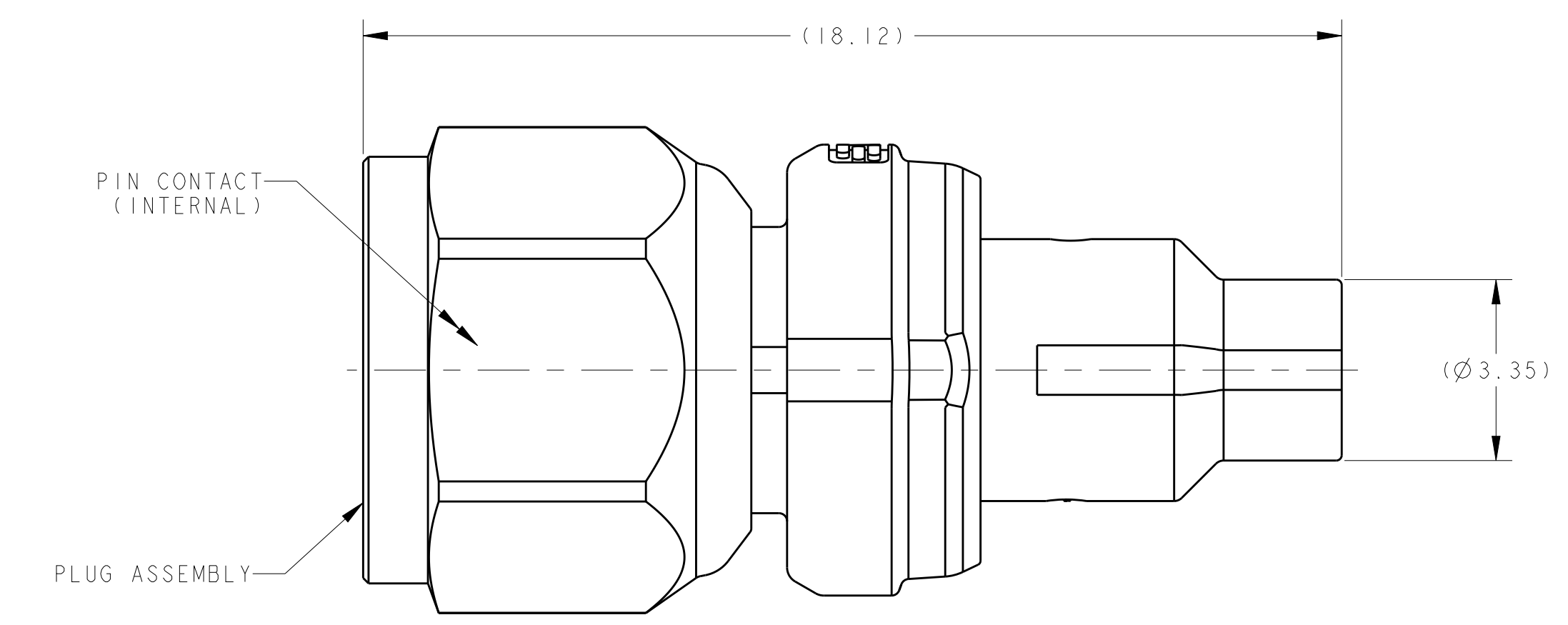
CONFIGURATION B \triangle
 (SMA-PS-1F-S; SMA-PS-1F-B;
 SMA-PS-1D-S AND SMA-PS-1D-B ONLY)



CONFIGURATION D \triangle
 (SMA-PS-1G-S AND SMA-PS-1G-B ONLY)



CONFIGURATION C \triangle
 (SMA-PS-1B-S AND SMA-PS-1B-B ONLY)



CONFIGURATION E \triangle
 (SMA-PS-1C-S AND SMA-PS-1C-B ONLY)

THIS DRAWING IS A CONTROLLED DOCUMENT.		DMN K. FOLTZ 15SEP2011	TE Connectivity NAME SMA, STRAIGHT, PLUG KIT
DIMENSIONS:		CHK K. WEIDNER 16SEP2011	
mm	TOLERANCES UNLESS OTHERWISE SPECIFIED:	APVD K. WEIDNER 16SEP2011	SIZE A100779
	0 PLC ± 1 PLC ± 2 PLC ± 3 PLC ± 4 PLC ± ANGLES ±	PRODUCT SPEC 108-60094	CAGE CODE SMA-PS-1
MATERIAL SEE NOTES	FINISH SEE NOTES	APPLICATION SPEC	RESTRICTED TO
Customer Drawing		WEIGHT	SCALE 10:1 SHEET 2 OF 2 REV A