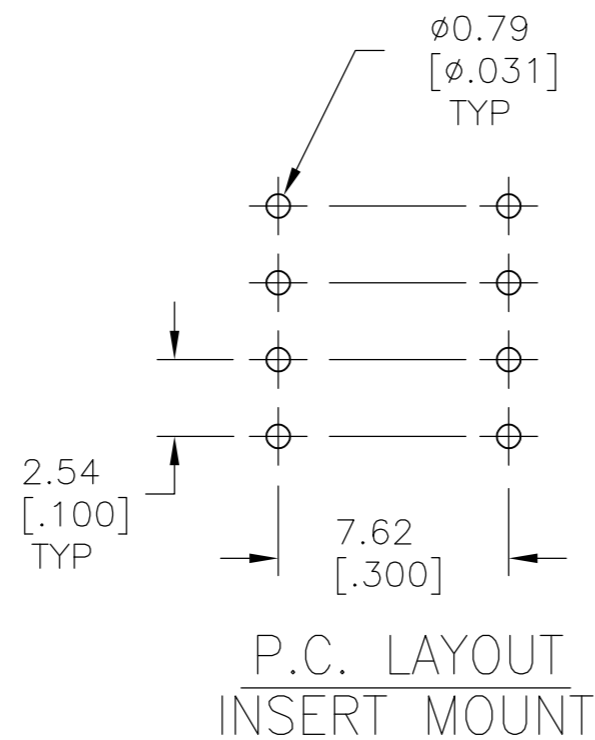
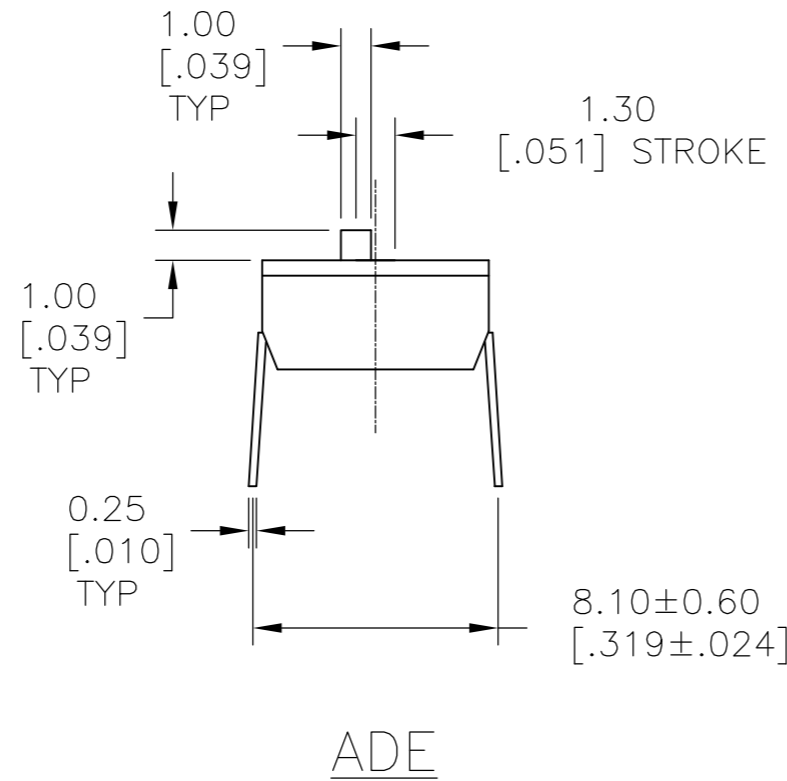
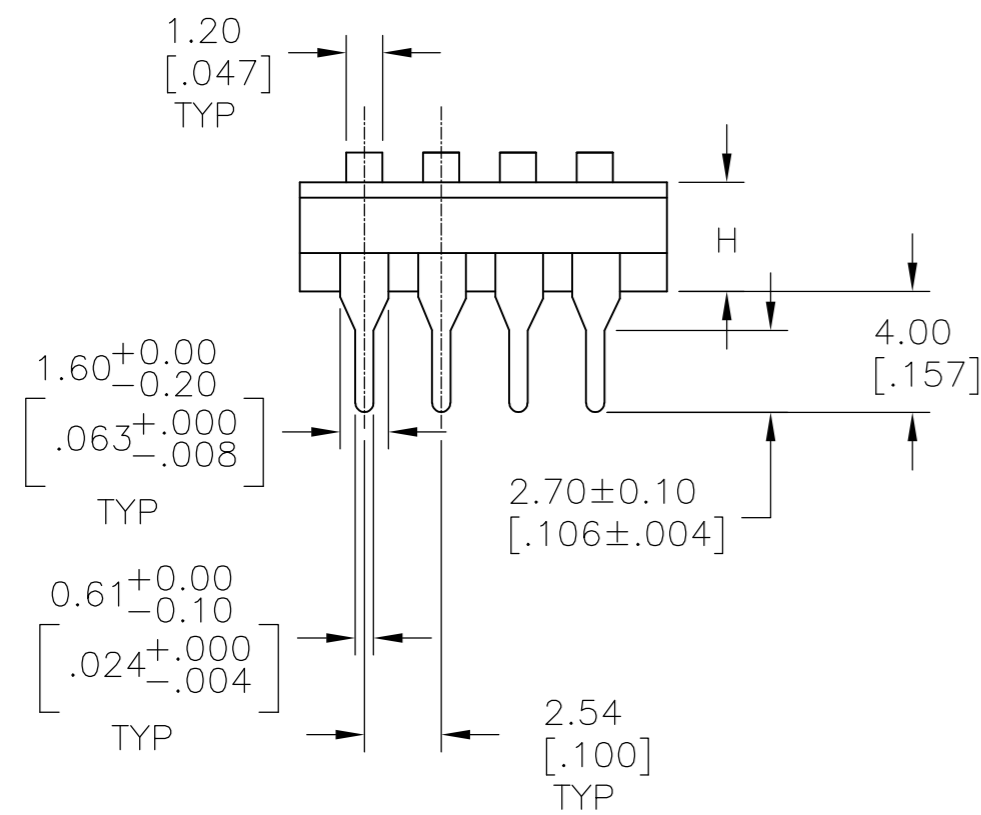
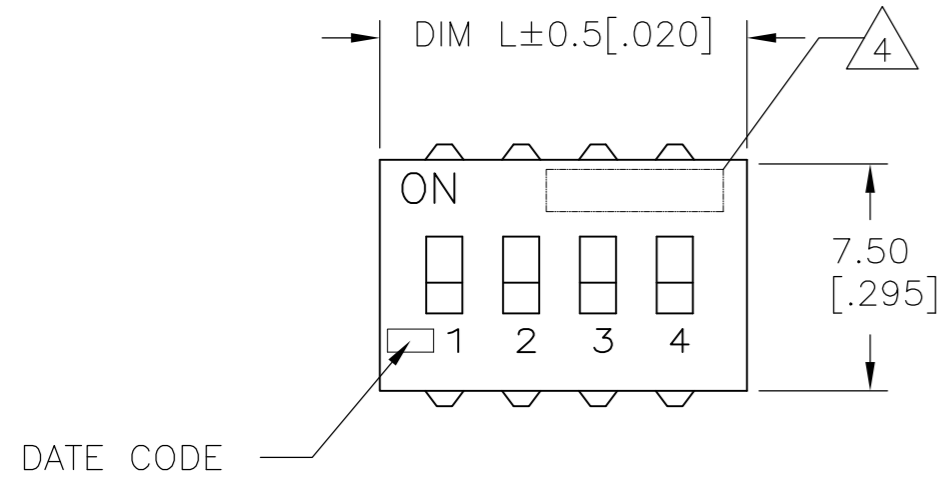


THIS DRAWING IS UNPUBLISHED. RELEASED FOR PUBLICATION
 © COPYRIGHT - By - ALL RIGHTS RESERVED.

LOC		DIST		REVISIONS			
P	LTR	DESCRIPTION		DATE	DWN	APVD	
AD	00	R		REVISED PER ECO-11-020754	17OCT11	KH	PO



Specifications:
 MATERIAL
 BASE, PPS, UL94V-0, BLACK
 COVER, PPS, UL94V-0, BLACK
 ACTUATOR, PA6T, UL94V-0, WHITE
 FIXED CONTACT/TERMINAL, CU ALLOY-GOLD FLASH OVER NICKEL
 MOVING CONTACT, CU ALLOY, PLATE-GOLD FLASH/NICKEL

ELECTRICAL
 MAX CONTACT RATING SWITCHING, 100MILLIAMPS @ 24 VDC
 MIN CONTACT RATING SWITCHING, .1MICROAMP @ 1 MILLIVOLT
 MAX CONTACT NON-SWITCHING, 1AMP @ 5 VDC
 INITIAL CONTACT RESISTANCE, 50 MILLIOHMS MAX.
 CONTACT RESISTANCE (AFTER ENVIRONMENTAL TEST), 100 MILLIOHMS
 CONTACT RESISTANCE (AFTER GAS TEST), 300 MILLIOHMS
 INSULATION RESISTANCE, 1,000 MEGOHMS MIN. @ 100 VDC
 DIELECTRIC STRENGTH, 500 VAC RMS @ SEA LEVEL
 LIFE EXPECTANCY, 1,000 CYCLES

MECHANICAL
 OPERATING FORCE, LESS THAN 800 GRAMS
 CONTACT PRESSURE, 280,000 PSI

ENVIRONMENTAL
 OPERATING TEMPERATURE, -30 TO +85 DEGREES C
 STORAGE TEMPERATURE, -45 TO +105 DEGREES C
 CLEANING, AQUEOUS OR SOLVENT
 SOLDER HEAT RESISTANCE, PER 109-202, COND B, SWITCH "OFF".
 SOLDERABILITY PER JIS C 0050 & JIS 0053

- SWITCHES TO BE RECEIVED IN THE "OFF" POSITION AND PACKAGED IN CLEAR TUBES TO ACCOMMODATE AUTO-INSERTION.
- TOP SURFACE TO BE CLEARLY MARKED AS SHOWN
- SWITCHES TO BE BLACK WITH WHITE ACTUATORS AND MARKINGS.
- ALL MATERIALS AND FINISHES SHALL COMPLY WITH EU DIRECTIVE 2002/95/EC OF 27JAN2003 (ROHS)

ADE1204	3.61 [.142]	32.51 [1.280]	12	1-1825057-0
ADE1004	3.51 [.138]	27.40 [1.078]	10	1825057-9
ADE0904	3.51 [.138]	24.84 [.978]	9	1825057-8
ADE0804	3.51 [.138]	22.30 [.878]	8	1825057-7
ADE0704	3.51 [.138]	19.80 [.778]	7	1825057-6
ADE0604	3.51 [.138]	17.22 [.678]	6	1825057-5
ADE0504	3.51 [.138]	14.70 [.578]	5	1825057-4
ADE0404	3.51 [.138]	12.14 [.478]	4	1825057-3
ADE0304	3.51 [.138]	9.60 [.378]	3	1825057-2
ADE0204	3.51 [.138]	7.06 [.278]	2	1825057-1
T&B P/N	DIM H	DIM L	POSITION	PART NO.

THIS DRAWING IS A CONTROLLED DOCUMENT.		DWN B.S.VISWESWARA	10FEB05		
DIMENSIONS: mm [INCHES]		CHK M.SARVER	APVD M.SARVER		
TOLERANCES UNLESS OTHERWISE SPECIFIED:		PRODUCT SPEC		APPLICATION SPEC	
0 PLC ± - 1 PLC ± - 2 PLC ± - 3 PLC ± .012 4 PLC ± - ANGLES ± -		WEIGHT		RESTRICTED TO	
MATERIAL		FINISH		SCALE	
-		-		A2 00779 C=1825057	
CUSTOMER DRAWING		SCALE 4:1		SHEET 1 OF 1	
				REV R	