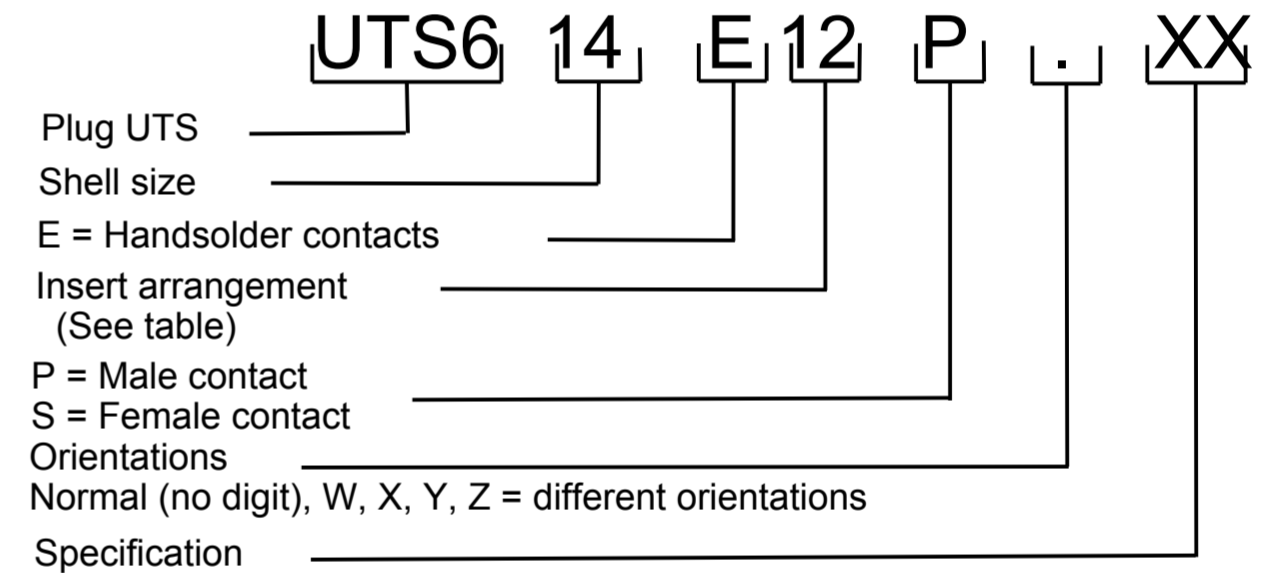


SHELL SIZE	Ø A MAXI	B MAXI	THREAD
08	22.50	21.30	7/16 28 UNEF CLASS 2A
10	26.70	23.60	9/16 24 UNEF CLASS 2A
12	30.15	23.60	11/16 24 UNEF CLASS 2A
14	35.10	23.60	13/16 20 UNEF CLASS 2A



**MATERIAL :**  
 Coupling Nut: Polyamid UL94 V-0  
 Insert: Polychloropren (CR)  
 Shell : Polyamid UL94 V-0  
 Coupling spring : Stainless steel  
 O'seal : Nitril  
 Contact : brass + gold plated

**PERFORMANCE CHARACTERISTICS :**  
 Operating temperature: -40°C up to 105°C  
 Insulation resistance: 5000 MΩ min  
 Test potential: 2000 Vrms for #16 layout and 1500Vrms for #20 layout  
 Corrosion salt spray: 500 hours  
 Durability: 250 matings and unmatings  
 Sealing in mated and unmated conditions:  
 -IP68 1 bar during 1 week : immersion under 10 m of water. (IEC 60529)  
 -IP69K : exposure to high pressure water of cleaning equipment (DIN 40050)

**NOTE :**  
 Insert arrangements: refer to C144-UTS1-A

**CUSTOMER DRAWING**

d	12/05/11	Add orientations in the part number	21774
ISS	DATE	Latest modification - by: J.FEURPRIER	MOD N°
Designed by: <b>SORIN V.</b>		Date: 30/06/08	<b>CUSTOMER DRAWING</b>
TITLE		PLUG WITHOUT BACKSHELL UTS HI SEAL	
Scale	2/1	General linear Tolerances: ± 0.1	NPRDS / PROJECT <b>UTS</b>
		WWW.SOURIAU.COM This document is the property of SOURIAU. It must not be reproduced or communicated without permission.	
FORMAT	SOURIAU DRG N° <b>C057-UTS1-A</b>		SHEET 1 / 1