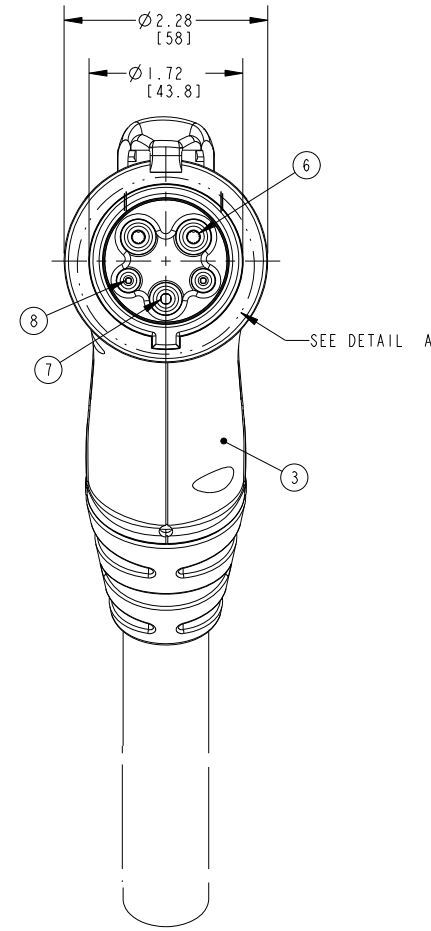
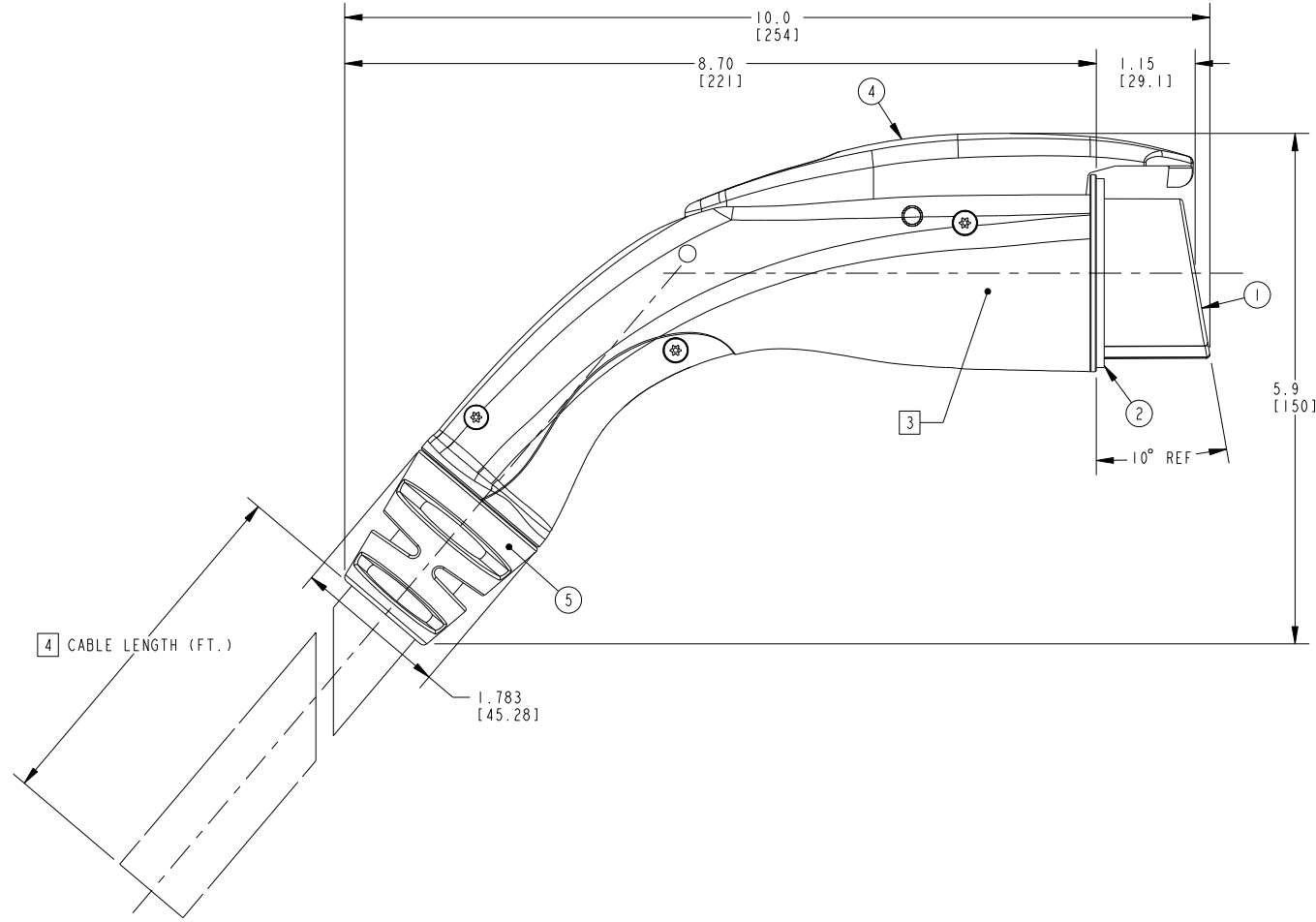
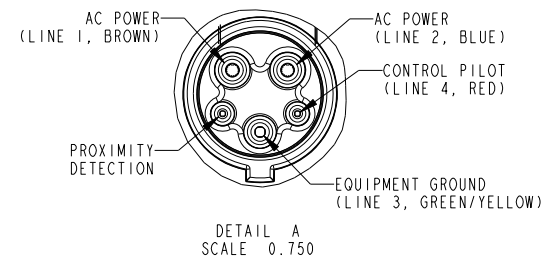


THIS DOCUMENT AND THE INFORMATION CONTAINED HEREIN IS THE SOLE PROPERTY OF ITT VEAM LLC AND IS NOT TO BE COPIED, REPRODUCED, DISCLOSED OR TRANSFERRED BY ELECTRONIC MEDIA WITHOUT THE EXPRESSED PERMISSION OF ITT VEAM LLC. VIOLATIONS SUBJECT TO PENALTIES PROVIDED UNDER U.S. AND INTERNATIONAL LAW.

Export Classification Code - **C**  
 THIS INFORMATION IS SUBJECT TO THE CONTROLS OF THE EXPORT ADMINISTRATION REGULATIONS (EAR) AND SHALL NOT BE TRANSFERRED BY ANY MEANS TO ANY PERSON OR LOCATION OUTSIDE OF THE U.S. WITHOUT THE WRITTEN PERMISSION FROM ITT AND APPROVAL FROM THE U.S. DEPARTMENT OF COMMERCE.

**ITT ISSUED**  
 By jim.giroux at 1:52 pm, Dec 08, 2011

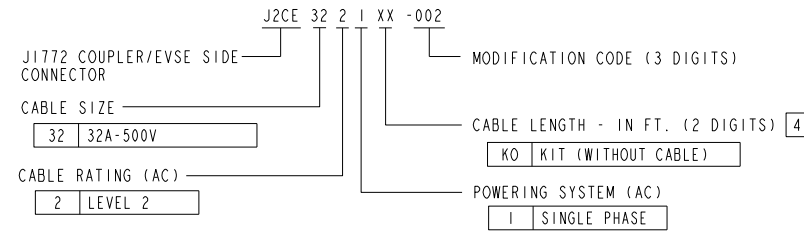
REV	DESCRIPTION	BY / DATE	APP'D.
A	RELEASED. ECR 10825	JG 112811	LAW
B	REVISED CONFIGURATOR. ECR 10834	JG 120811	LAW



NOTES: UNLESS OTHERWISE SPECIFIED

- CONNECTOR MEETS SAE J1772 SPECIFICATION FOR LEVEL 1 & 2 CHARGING CONNECTOR.
- CONNECTOR MEETS CE CERTIFICATION AND MARKING APPROVAL FOR COUPLERS OF ELECTRIC VEHICLES.
- CONNECTOR MARKING TO INCLUDE - CATALOG NO. AND DATE CODE.
- STANDARD CABLE LENGTH TOLERANCE:
  - 1' FT. TO 10' FT. = ±1" IN.
  - 11' FT. TO 20' FT. = ±2" IN.
  - OVER 20' FT. = ±3" IN.

EVC Series - J1772, Gen 2 Configurator



ITEM	PART NAME	DESCRIPTION
8	SOCKET CONTACT	SIZE - 16, (0.5mm <sup>2</sup> ) CRIMP P/N 51511J2-16-12T33 QTY - 2 MATERIAL - COPPER ALLOY FINISH - NICKEL PLATED
7	SOCKET CONTACT	SIZE - 10, (6.0mm <sup>2</sup> ) CRIMP P/N 51511J2-10-1T33 QTY - 1 MATERIAL - COPPER ALLOY FINISH - NICKEL PLATED
6	SOCKET CONTACT	SIZE - 8, (6.0mm <sup>2</sup> ) CRIMP P/N 80628J2-8-1LV133 QTY - 2 MATERIAL - COPPER ALLOY FINISH - NICKEL PLATED
5	STRAIN RELIEF	FINISH - THERMOPLASTIC ELASTOMER (TPE)
4	LATCH	MATERIAL - ZINC ALLOY FINISH - BLACK CHROMATE
3	HANDLE	MATERIAL - POLYBUTYLENE TEREPHTHALATE (PBT)
2	GASKET	MATERIAL - SILICONE FOAM
1	FRONT INSERT	MATERIAL - GLASS FILLED NYLON

**ITT** **VEAM**  
 100 New York Road, Waterford, CT 06475

**CUSTOMER DRAWING**

DRAWN	JG	DATE	111611	REF	PROJECT 5183
CHECKED	SD	DATE	112111	PART NO	SEE CONFIGURATOR
APPROVED	LAW	DATE	112111	DESCRIPTION	J1772, CHARGING CONNECTOR COUPLER, EVC SERIES, GEN 2 32A-500V, 1-PHASE, LEVEL 2
UNLESS OTHERWISE SPECIFIED:		SCALE	0.750		
DIMENSIONS ARE IN: INCHES		CAGE CODE	55561		
SIZE	C	USE	DS	SHEET	1 / 1
DWG FILE NAME: Z96631					REV
					B