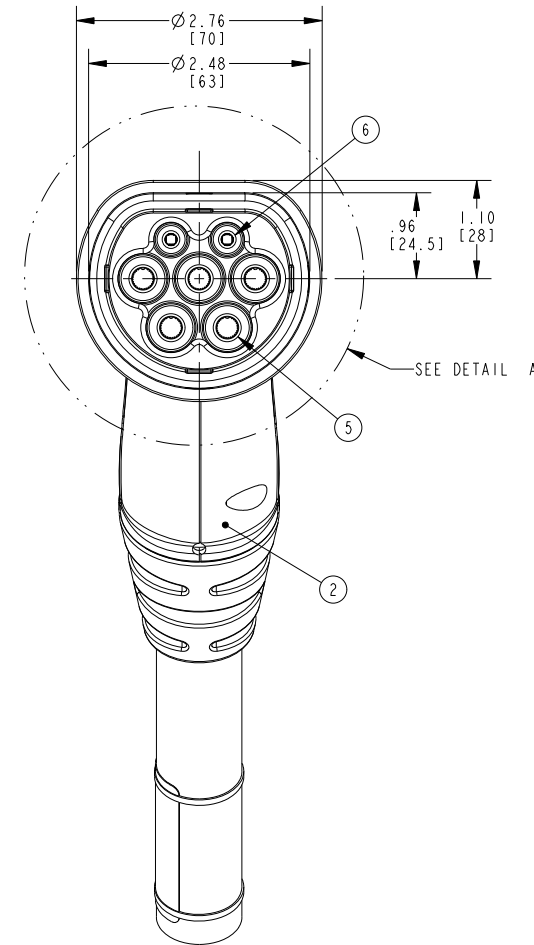
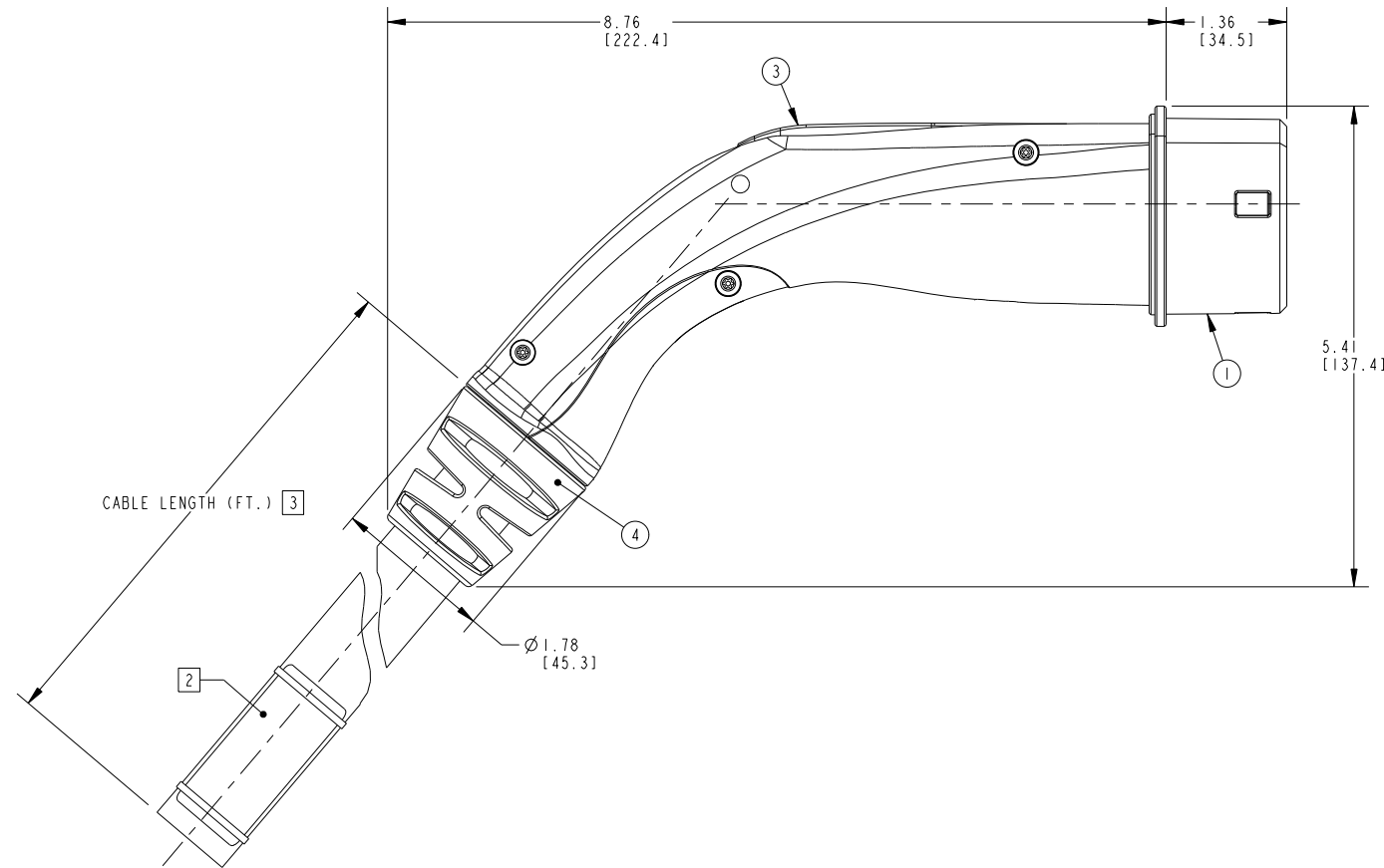
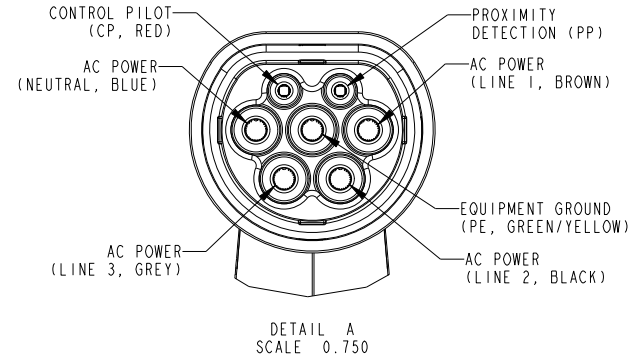


THIS DOCUMENT AND THE INFORMATION CONTAINED HEREIN IS THE SOLE PROPERTY OF ITT VEAM LLC AND IS NOT TO BE COPIED, REPRODUCED, DISCLOSED OR TRANSFERRED BY ELECTRONIC MEDIA WITHOUT THE EXPRESSED PERMISSION OF ITT VEAM LLC. VIOLATIONS SUBJECT TO PENALTIES PROVIDED UNDER U.S. AND INTERNATIONAL LAW.

Export Classification Code - **C**  
 THIS INFORMATION IS SUBJECT TO THE CONTROLS OF THE EXPORT ADMINISTRATION REGULATIONS (EAR) AND SHALL NOT BE TRANSFERRED BY ANY MEANS TO ANY PERSON OR LOCATION OUTSIDE OF THE U.S. WITHOUT THE WRITTEN PERMISSION FROM ITT AND APPROVAL FROM THE U.S. DEPARTMENT OF COMMERCE.

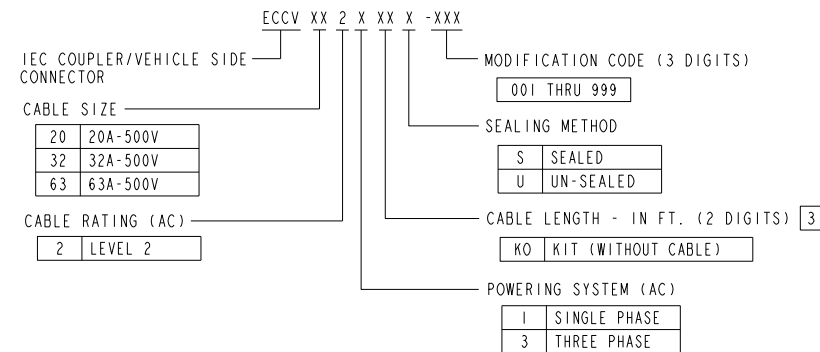
| REV | DESCRIPTION         | BY / DATE | APP'D. |
|-----|---------------------|-----------|--------|
| A   | RELEASED. ECR 10877 | JG 01112  | LAW    |



NOTES: UNLESS OTHERWISE SPECIFIED

- CONNECTOR MEETS IEC 62196-11-2 SPECIFICATION FOR LEVEL 2 CHARGING CONNECTOR.
- CONNECTOR MARKING AND CABLE SAFETY TAG TO INCLUDE - TBD.
- STANDARD CABLE LENGTH TOLERANCE:
  - 1' FT. TO 10' FT. = ±1" IN.
  - 11' FT. TO 20' FT. = ±2" IN.
  - OVER 20' FT. = ±3" IN.

**EVC Series - IEC, Gen 2 Configurator**



| ITEM | PART NAME      | DESCRIPTION   |
|------|----------------|---|
| 6    | SOCKET CONTACT | SIZE- 3MM, CRIMP<br>P/N 51511EC-3M-1-T8<br>QTY- 2<br>MATERIAL- COPPER ALLOY<br>FINISH- NICKEL PLATED  |
| 5    | SOCKET CONTACT | SIZE- 6MM, CRIMP<br>P/N A80628EC-6M-1-T8<br>QTY- 5<br>MATERIAL- COPPER ALLOY<br>FINISH- NICKEL PLATED |
| 4    | STRAIN RELIEF  | MATERIAL- THERMOPLASTIC ELASTOMER (TPE)   |
| 3    | HANDLE INSERT  | MATERIAL- ZINC ALLOY<br>FINISH- BLACK CHROMATE  |
| 2    | HANDLE         | MATERIAL- POLYBUTYLENE TEREPHTHALATE (PBT)  |
| 1    | FRONT INSERT   | MATERIAL- GLASS FILLED NYLON  |

**ITT** **VEAM**  
 100 New York Road  
 Waterbury, CT 06795

### CUSTOMER DRAWING

|          |     |      |        |             |   |
|----------|-----|------|--------|-------------|---|
| DRAWN    | JG  | DATE | 01112  | REF         | PROJECT 5183  |
| CHECKED  | SD  | DATE | 011212 | PART NO     | SEE CONFIGURATOR  |
| APPROVED | LAW | DATE | 011212 | DESCRIPTION | IEC, CHARGING CONNECTOR COUPLER, VEHICLE, EVC SERIES, GEN 2 |

UNLESS OTHERWISE SPECIFIED: SCALE 0.750  
 DIMENSIONS ARE IN: CAGE CODE 55561  
 UNITS: INCHES

|      |     |       |     |
|------|-----|-------|-----|
| SIZE | USE | SHEET | REV |
| C    | DS  | 1 / 1 | A   |

DWG FILE NAME: Z96193