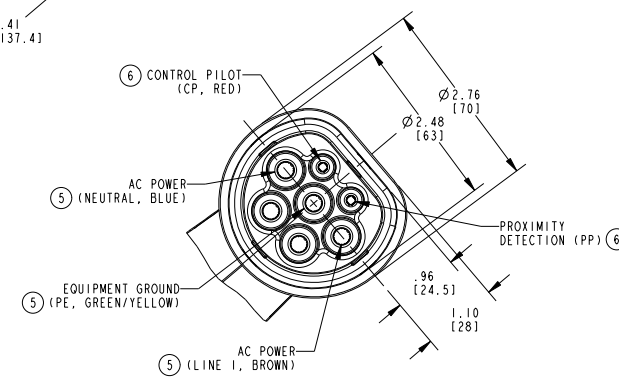
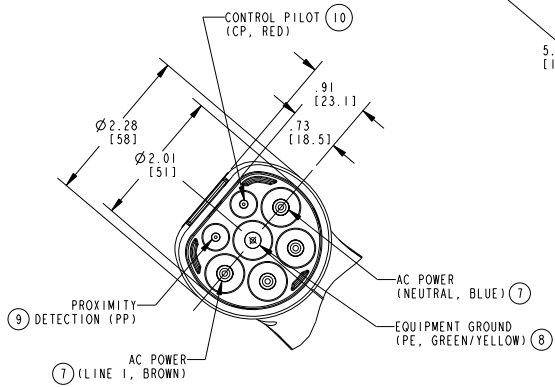
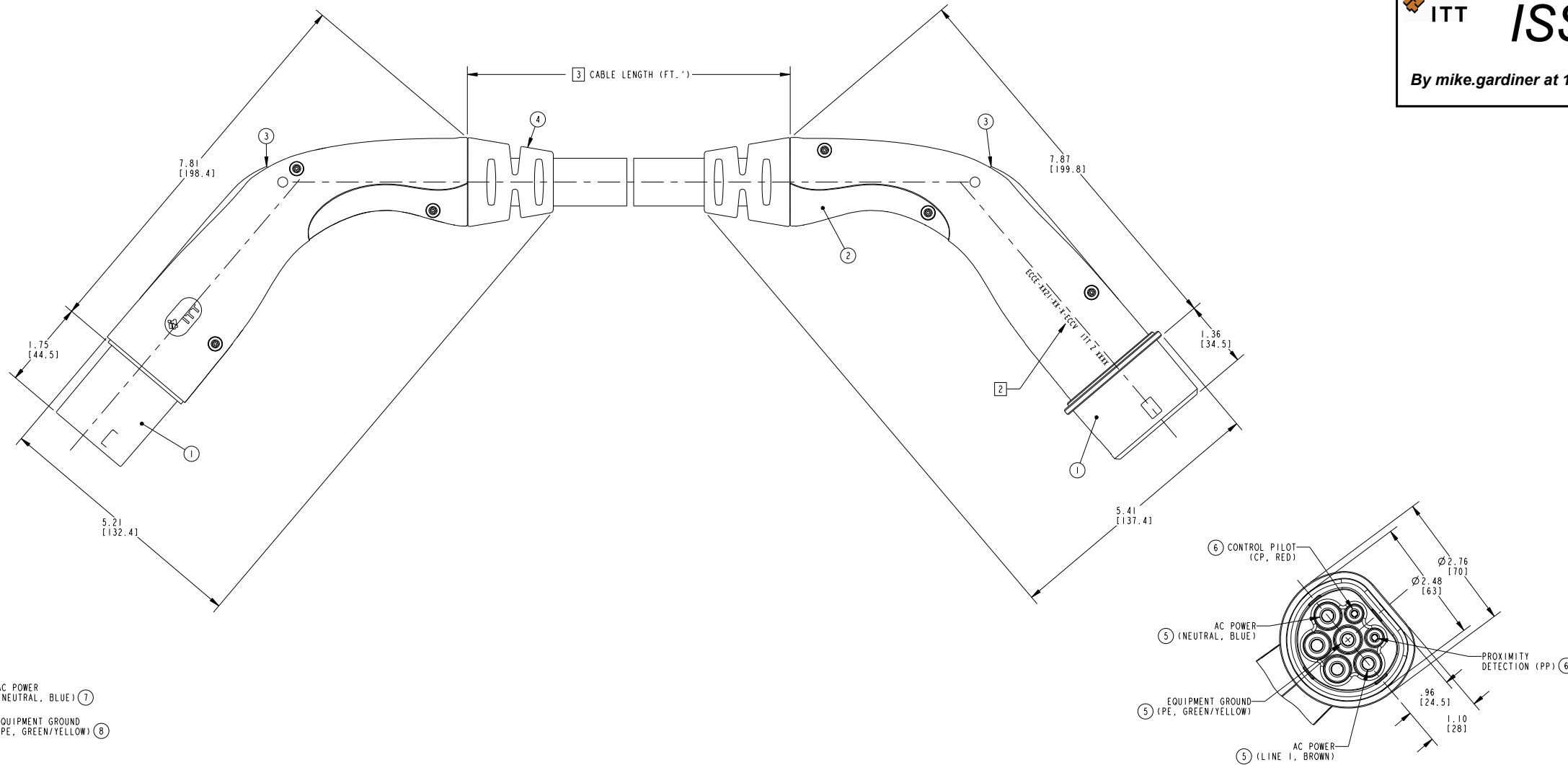


THIS DOCUMENT AND THE INFORMATION CONTAINED HEREIN IS THE SOLE PROPERTY OF ITT VEAM LLC AND IS NOT TO BE COPIED, REPRODUCED, DISCLOSED OR TRANSFERRED BY ELECTRONIC MEDIA WITHOUT THE EXPRESSED PERMISSION OF ITT VEAM LLC. VIOLATIONS SUBJECT TO PENALTIES PROVIDED UNDER U.S. AND INTERNATIONAL LAW.

Export Classification Code - **C**
 THIS INFORMATION IS SUBJECT TO THE CONTROLS OF THE EXPORT ADMINISTRATION REGULATIONS (EAR) AND SHALL NOT BE TRANSFERRED BY ANY MEANS TO ANY PERSON OR LOCATION OUTSIDE OF THE U.S. WITHOUT THE WRITTEN PERMISSION FROM ITT AND APPROVAL FROM THE U.S. DEPARTMENT OF COMMERCE.

REV	DESCRIPTION	BY / DATE	APP'D.
A	RELEASED. ECR 10919	JG 022112	LAW
B	REVISED MOD.CODE. ECR 10924	JG 030512	LAW

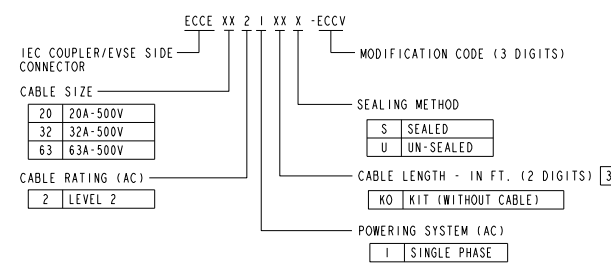
ITT ISSUED
 By mike.gardiner at 1:40 pm, Apr 18, 2012



NOTES: UNLESS OTHERWISE SPECIFIED

- CONNECTOR(S) MEET BOTH IEC 62196-11-2 AND SAE J1772 SPECIFICATIONS FOR LEVEL 2 CHARGING CONNECTOR(S).
- CONNECTOR MARKING TO INCLUDE - CATALOG NO. AND DATE CODE.
- STANDARD CABLE LENGTH TOLERANCE:
 - 1' FT. TO 10' FT. = ±1" IN.
 - 11' FT. TO 20' FT. = ±2" IN.
 - OVER 20' FT. = ±3" IN.

EVC Series - IEC, Gen 2 Configurator



ITEM	PART NAME	DESCRIPTION
10	PIN CONTACT	SIZE- 3MM (SHORT), CRIMP P/N 5086TEC-3M-2-133 QTY- 1 MATERIAL- COPPER ALLOY FINISH- SILVER PLATED
9	PIN CONTACT	SIZE- 3MM (LONG), CRIMP P/N 5086TEC-3M-1-133 QTY- 1 MATERIAL- COPPER ALLOY FINISH- SILVER PLATED
8	PIN CONTACT	SIZE- 6MM, CRIMP P/N 5086TEC-6M-1-133 QTY- 1 MATERIAL- COPPER ALLOY FINISH- SILVER PLATED
7	PIN CONTACT	SIZE- 6MM, CRIMP P/N 5086TEC-6M-FT-133 QTY- 4 MATERIAL- COPPER ALLOY FINISH- SILVER PLATED
6	SOCKET CONTACT	SIZE- 3MM, CRIMP P/N 5151IEC-3M-1-T8 QTY- 2 MATERIAL- COPPER ALLOY FINISH- NICKEL PLATED
5	SOCKET CONTACT	SIZE- 6MM, CRIMP P/N 5086TEC-6M-1-T8 QTY- 5 MATERIAL- COPPER ALLOY FINISH- NICKEL PLATED
4	STRAIN RELIEF	MATERIAL - THERMOPLASTIC ELASTOMER (TPE)
3	LATCH / HANDLE INSERT	MATERIAL- ZINC ALLOY FINISH- BLACK CHROMATE
2	HANDLE	MATERIAL- POLYBUTYLENE TEREPHTHALATE (PBT)
1	FRONT INSERT	MATERIAL- GLASS FILLED NYLON

DRAWN		DATE		PROJECT	
JG	022112	5386			
CHECKED		DATE		PART NO	
LAW	022112	SEE CONFIGURATOR			
UNLESS OTHERWISE SPECIFIED:		SCALE		DESCRIPTION	
SIZE	0.750	0.750		EVC SERIES, CHARGING CONNECTOR	
DRAWING ARE IN INCHES	55561	CAGE CODE		COUPLER, 2-END, IEC-IEC, EVSE	
				32A-500V, 1PHASE, LEVEL 2	
SIZE	D	SHEET	1 / 1	PART NO	Z96914
				REV	B