

THIS DRAWING IS UNPUBLISHED. RELEASED FOR PUBLICATION
 © COPYRIGHT - By - ALL RIGHTS RESERVED.

LOC		DIST		REVISIONS			
AD	00	P	LTR	DESCRIPTION	DATE	DWN	APVD
		B2		REVISED PER ECO-11-004587	11MAR11	RK	HMR



FIG 1



CONTENT ARRANGEMENT

1. FOR ADDITIONAL SPECIFICATIONS SEE AMP PRODUCT SPEC 108-7519.
2. SWITCH SHOWN IN OPEN POSITION.
3. ALL CHARACTERS AND ROCKERS ARE WHITE, HOUSING IS BLACK.
4. STAMPING WILL VARY ON 2 AND 3 POSITION TOPS DUE TO SPACE RESTRICTIONS.
5. STRIPPABLE TRANSPARENT SEAL, SEE FIG 6.
6. .315 DIMENSION APPLIES AT TERMINAL TIPS. TERMINALS ARE .300±.010 AT MOUNTING SURFACE.
7. NO POSITION MARKING.
8. NO PART NO. MARKING.
9. STRIPPABLE TAPE SEAL, SEE FIGURE 8.
10. ALL MATERIALS AND FINISHES SHALL COMPLY WITH EU DIRECTIVE 2002/95/EC OF 27JAN2003 (ROHS)
11. MATERIAL: HOUSING AND ROCKERS - POLYESTER
CONTACT & SOLDER LEAD - COPPER ALLOY
12. FINISH: CONTACT - GOLD OVER NICKEL
SOLDER LEAD - TIN OVER NICKEL
13. OBSOLETE PARTS: OBSOLETE CIS STREAMLINING PER D.RENAUD/D.SINISI



FIG 2

	FIG 2	FIG 3A& 7		1.08	10	6-5435802-3
	FIG 1	FIG 3B	9	.88	8	3-5435802-8
13	FIG 2	7 8	5	.88	8	3-5435802-0
	FIG 2	7 8	5	.48	4	2-5435802-9
	FIG 2	FIG 3A	5	1.28	12	2-5435802-2
	FIG 2			1.18	11	2-5435802-1
	FIG 2			1.08	10	2-5435802-0
	FIG 2			.98	9	1-5435802-9
	FIG 2			.78	7	1-5435802-8
	FIG 2			.68	6	1-5435802-7
	FIG 2			.58	5	1-5435802-6
	FIG 2			.48	4	1-5435802-5
	FIG 2	FIG 3A	8	.48	4	1-5435802-5
	FIG 1	8		1.28	12	1-5435802-2
	FIG 2	8		.28	2	1-5435802-0
	FIG 2	FIG 3A	5	.88	8	5435802-9
	FIG 2			1.08	10	5435802-8
	FIG 2			.98	9	5435802-7
13	FIG 2			.78	7	5435802-6
	FIG 2			.68	6	5435802-5
	FIG 2			.58	5	5435802-4
	FIG 2			.48	4	5435802-3
	FIG 2			.38	3	5435802-2
	FIG 2	8		.88	8	5435802-1
5435802-1 SHOWN	FIG 2	FIG 3A		.88	8	5435802-1
	HOUSING	MARKING	PROT-ECTIVE SEAL	A	NO OF POSN	PART NO

THIS DRAWING IS A CONTROLLED DOCUMENT.

DWN	R. TALLEY	19-9-89
CHK	R. MILLER	19-9-89
APVD	H. LEITER	19-9-89

TE Connectivity

SWITCH ASSY, DIP, TYPE C, 7000 SERIES, SPST, SIDE ACTUATED

SIZE	CAGE CODE	DRAWING NO	RESTRICTED TO
A2	00779	5435802	

CUSTOMER DRAWING SCALE 4:1 SHEET 1 of 2 REV B2

THIS DRAWING IS UNPUBLISHED. RELEASED FOR PUBLICATION
 © COPYRIGHT - By - ALL RIGHTS RESERVED.

LOC	DIST	REVISIONS			
P	LTR	DESCRIPTION	DATE	DWN	APVD
AD	00	SEE SHEET 1	-	-	-



FIG 3A



FIG 3B

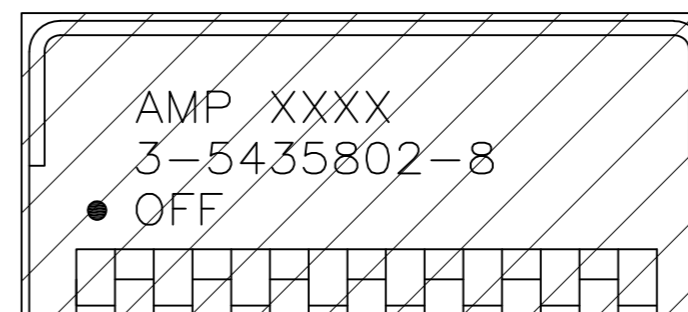


FIG 4



PROTECTIVE SEAL

FIG 6



PROTECTIVE SEAL

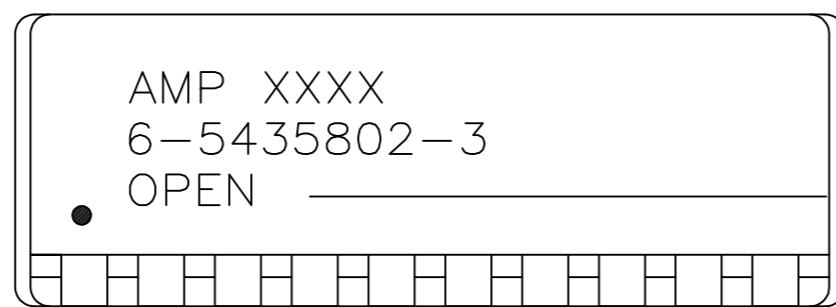


FIG 7

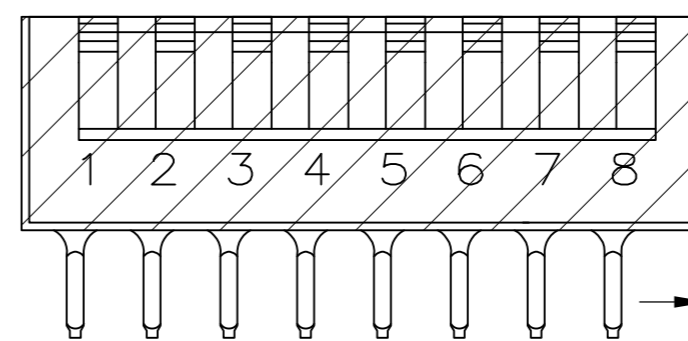


FIG 8

THIS DRAWING IS A CONTROLLED DOCUMENT.		DWN	R. TALLEY	19-9-89		TE Connectivity			
DIMENSIONS: INCHES		CHK	R. MILLER	19-9-89		NAME			
		APVD	H. LEITER	19-9-89		SWITCH ASSY, DIP, TYPE C, 7000 SERIES, SPST, SIDE ACTUATED			
TOLERANCES UNLESS OTHERWISE SPECIFIED:		PRODUCT SPEC		RESTRICTED TO					
MATERIAL		FINISH		WEIGHT		SIZE	CAGE CODE	DRAWING NO	REV
SEE SHEET 1		SEE SHEET 1		-		A2	00779	C=5435802	B2
CUSTOMER DRAWING				SCALE	4:1	SHEET	2 OF 2		