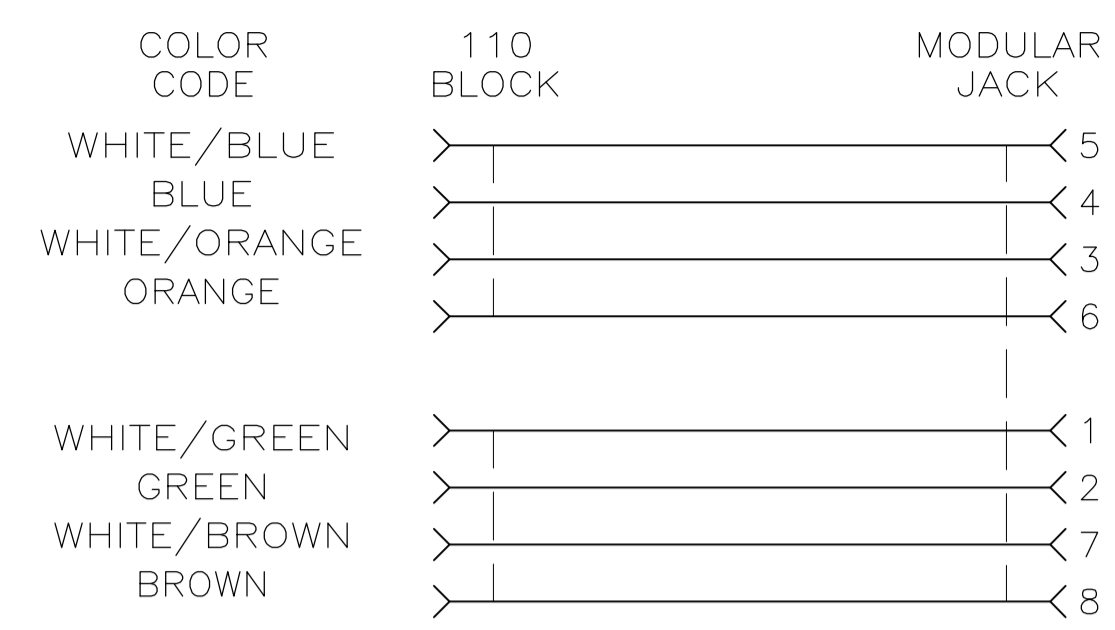
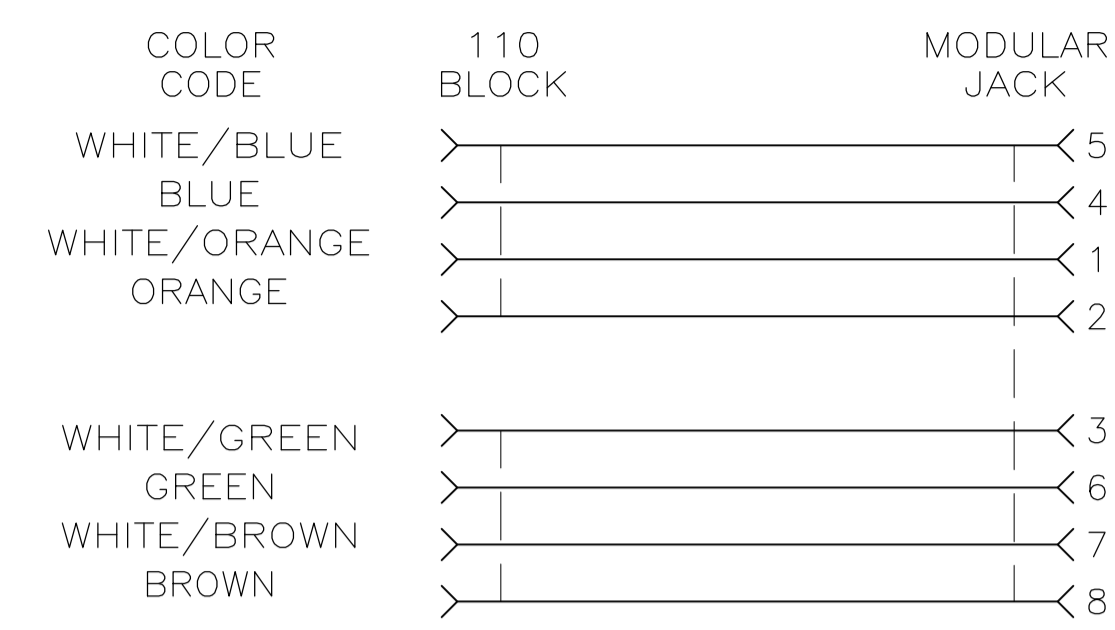


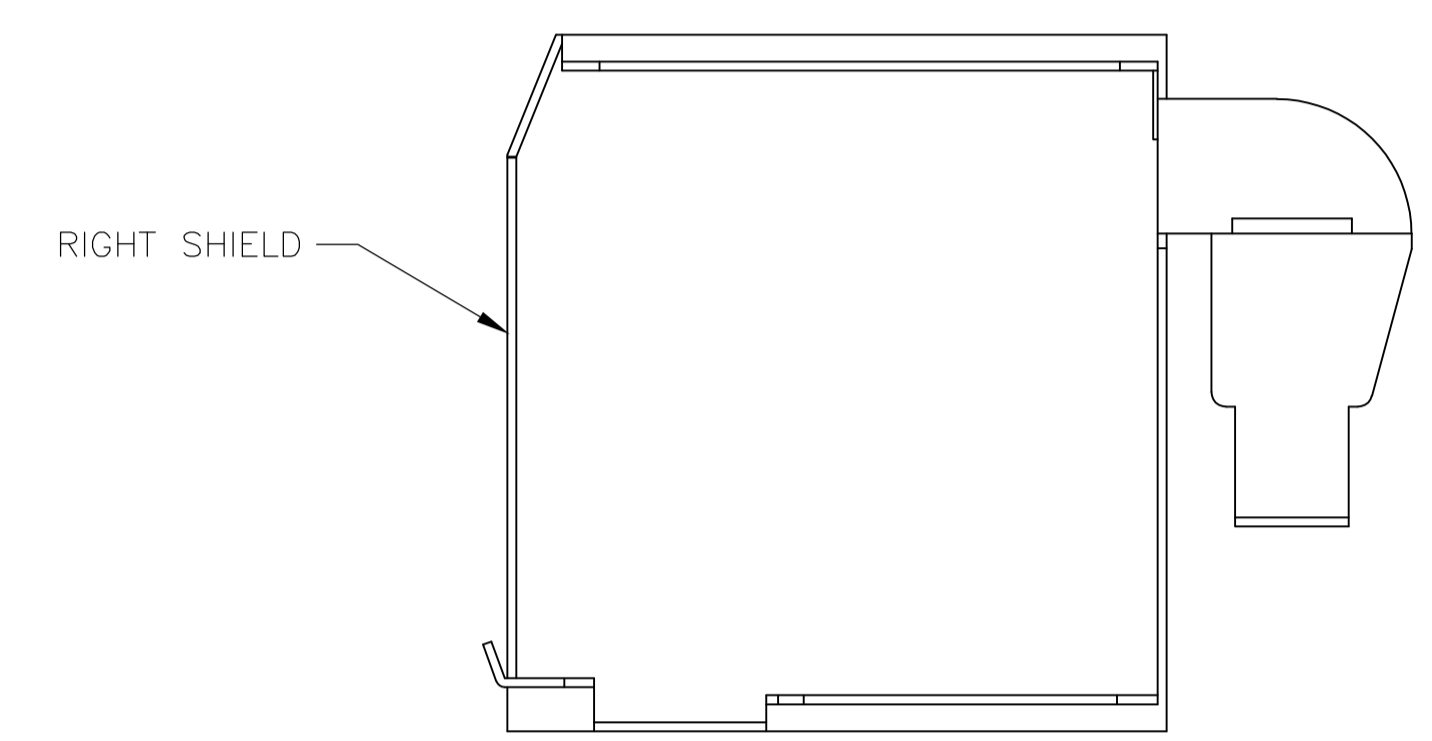
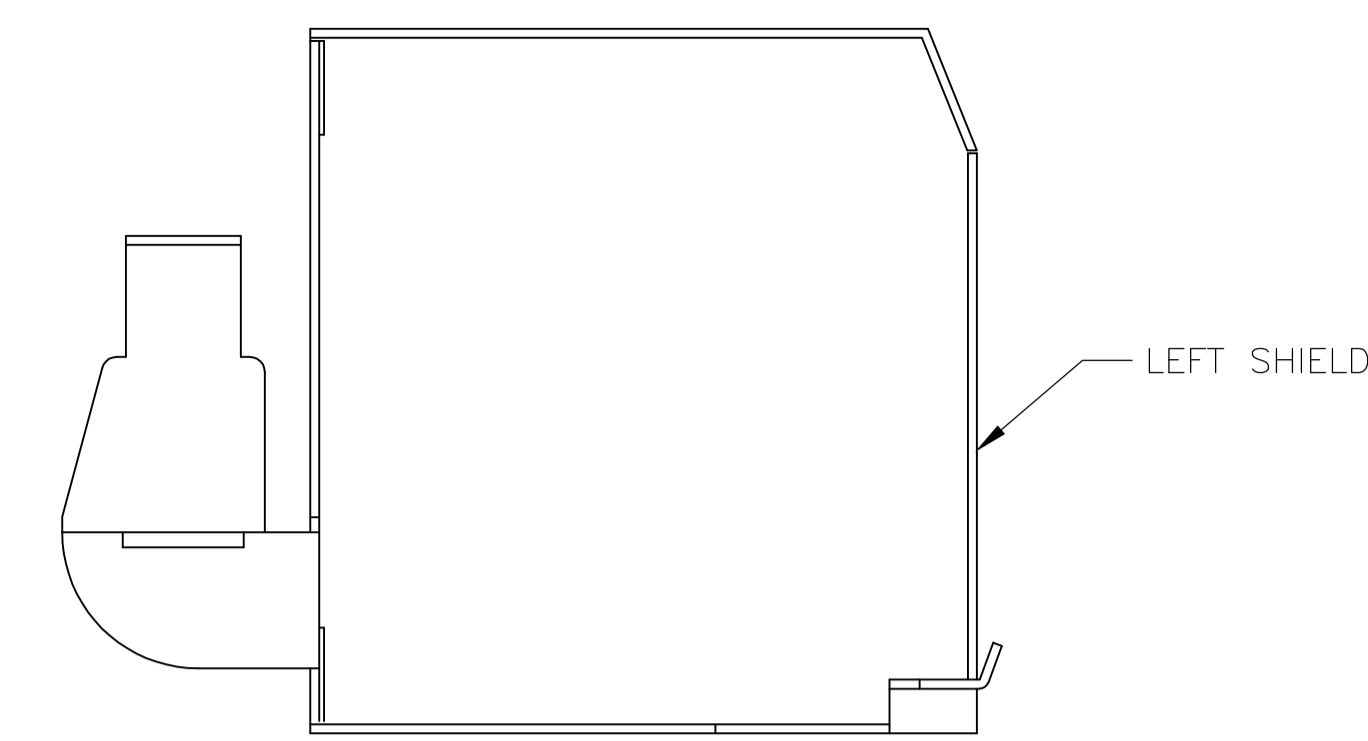
| LOC |                           | DIST    |      | REVISIONS |     |      |  |
|-----|---------------------------|---------|------|-----------|-----|------|--|
| HM  | 00                        | REV     | DATE | BY        | CHK | APPV |  |
| C1  | REVISED PER ECO-11-005033 | 25MAR11 | RK   | HMR       |     |      |  |



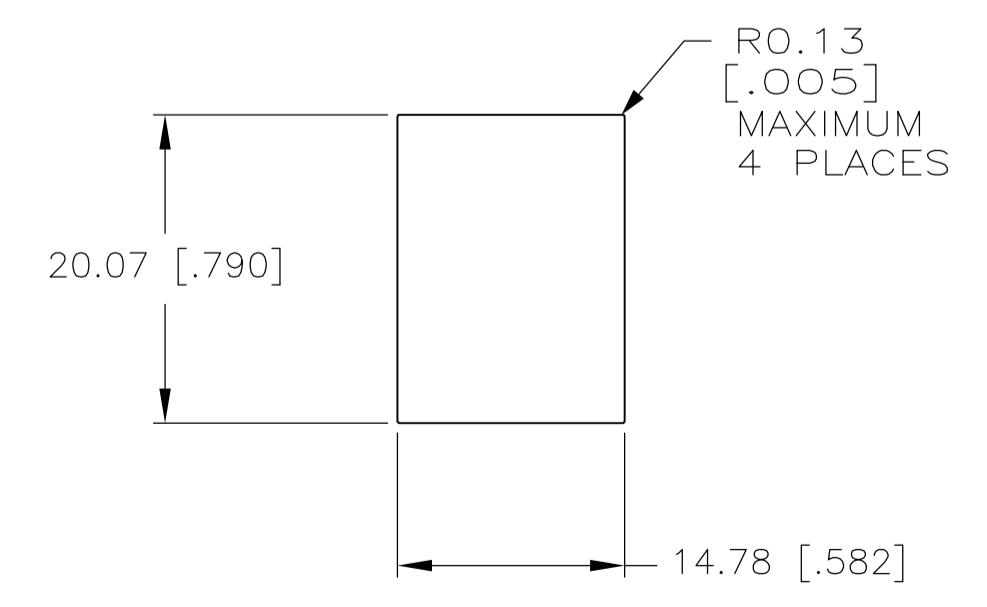
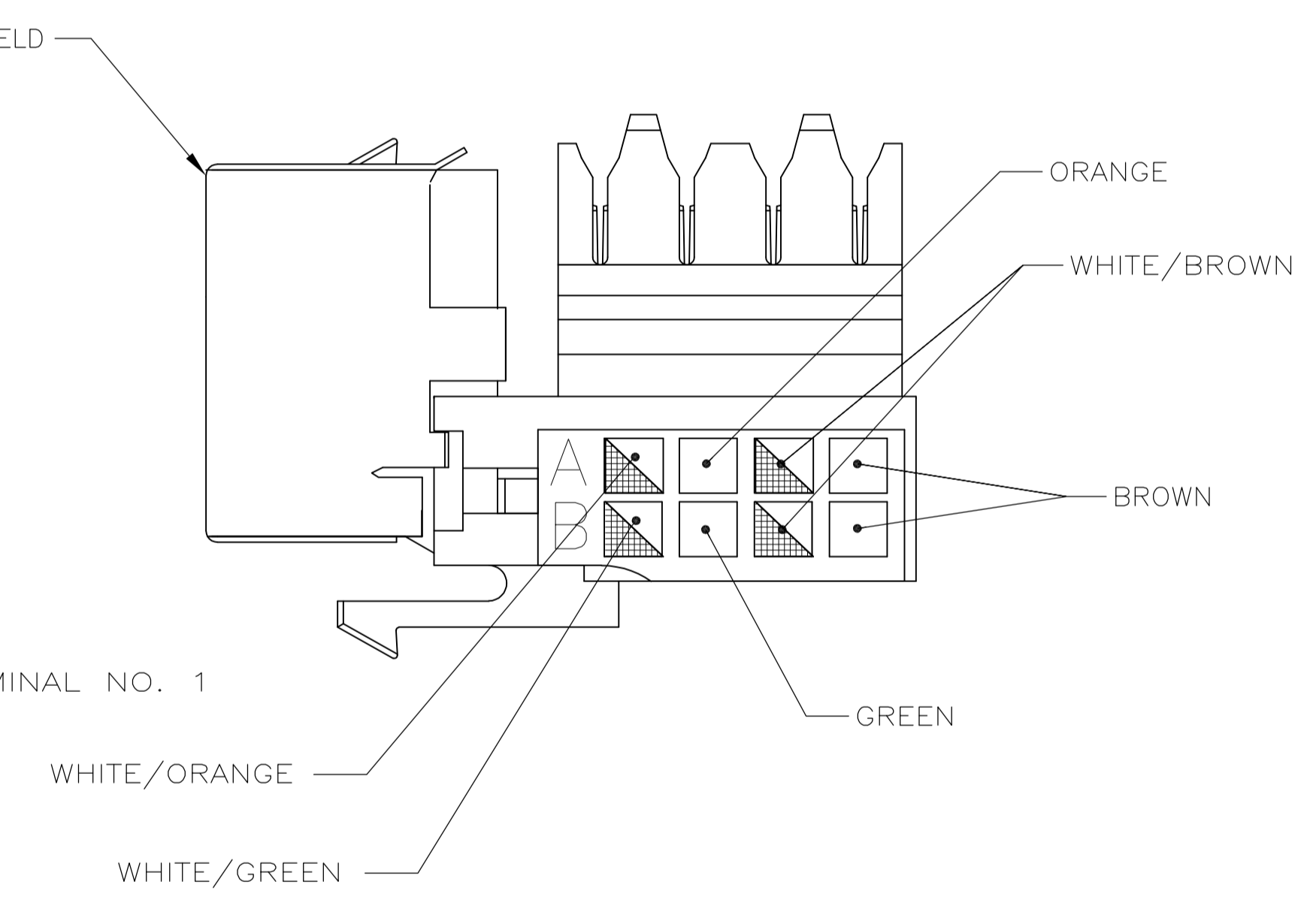
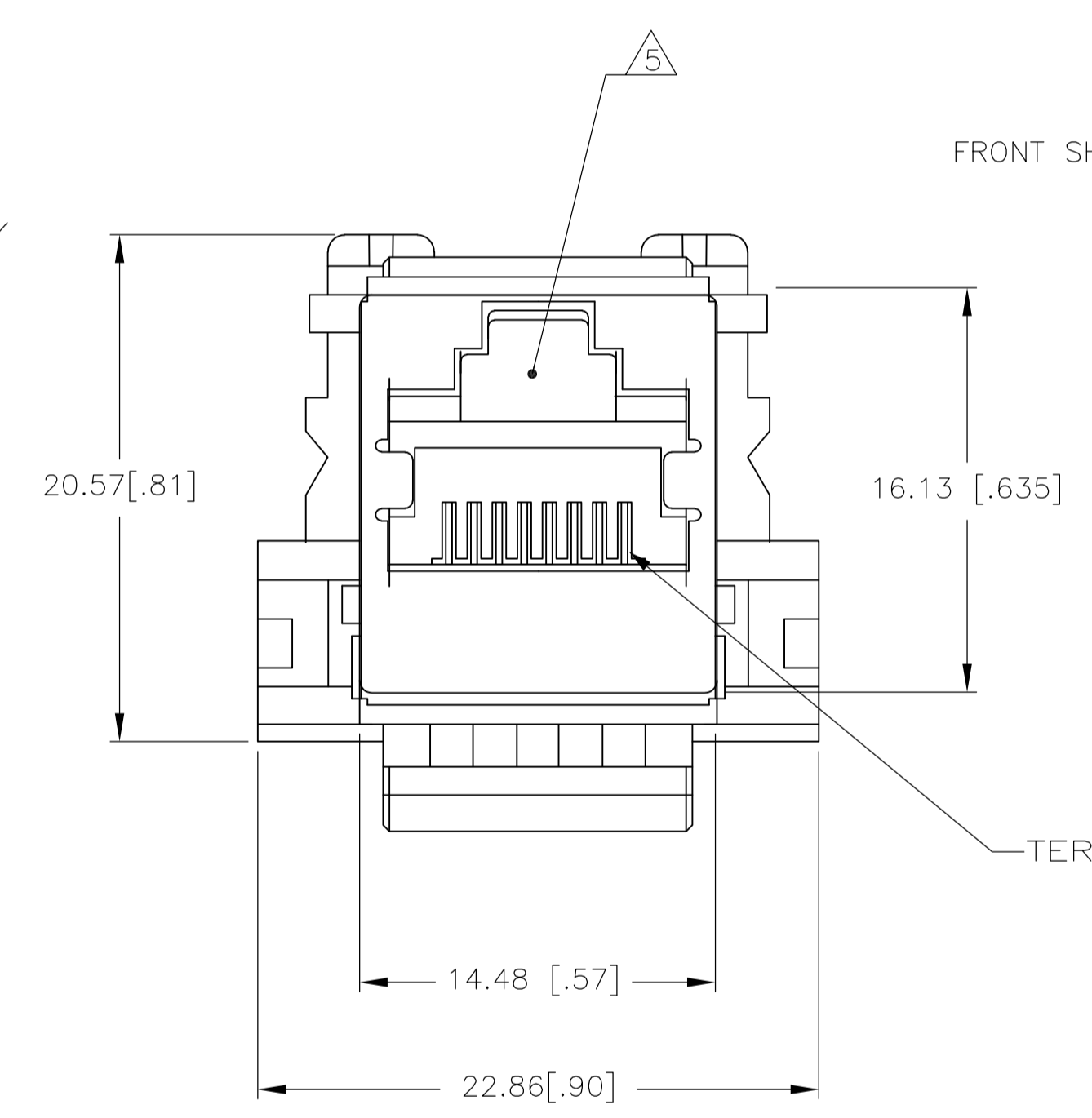
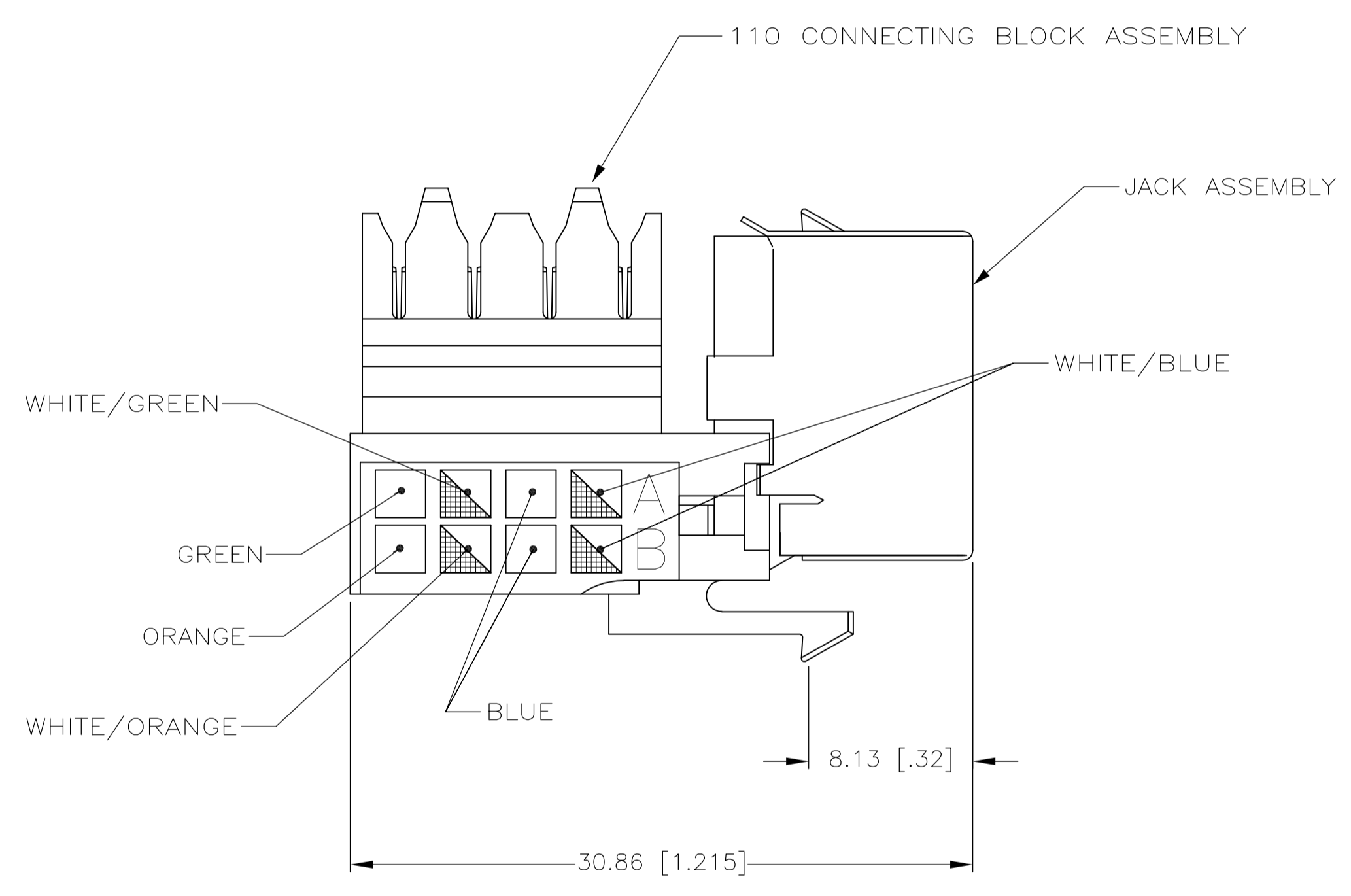
ELECTRICAL SCHEMATIC T568A



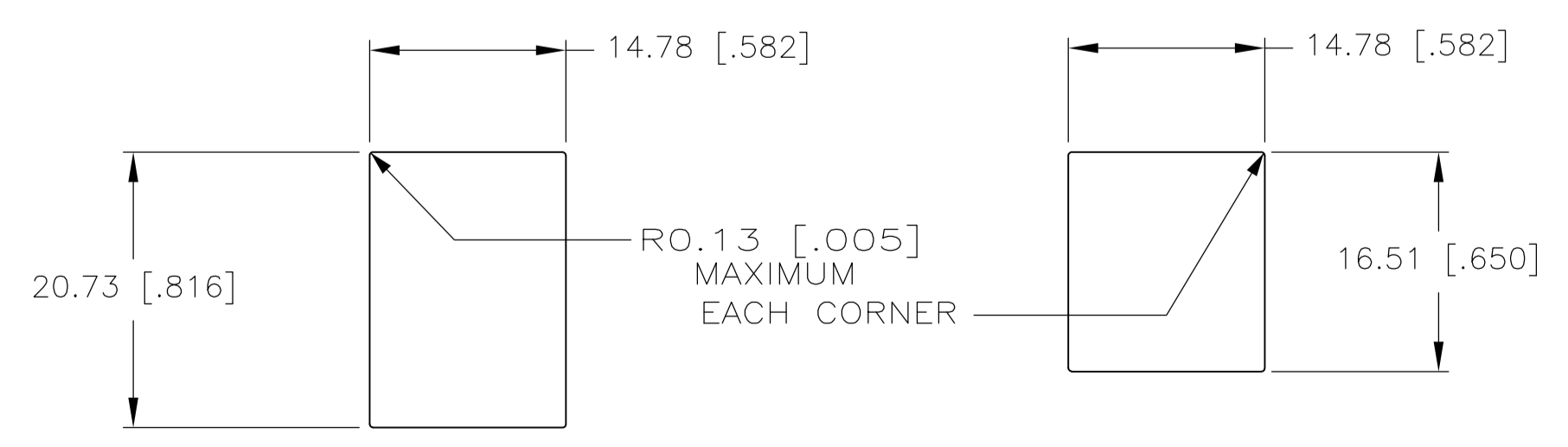
ELECTRICAL SCHEMATIC T568B



- 1 MATERIAL: HOUSING - POLYPHENYLENE OXIDE, 94V-0 RATED. BLACK.  
110 BLOCKS - POLYCARBONATE, 94V-0 RATED.  
JACK CONTACTS - PHOSPHOROUS BRONZE, PLATED WITH 1.27µm [.000050] MINIMUM THICK GOLD IN LOCALIZED AREA AND 3.81µm [.000150] MINIMUM THICK MATTE TIN IN SOLDER AREA OVER 1.27µm [.000050] MINIMUM THICK NICKEL UNDERPLATE.  
SHIELDS- NICKEL PLATED BRASS.
- 2. 110 BLOCK WILL TERMINATE 22-26 AWG SOLID OR 7 STRAND CONDUCTORS, 1.27 [.050] MAXIMUM INSULATION DIAMETER.
- 3. MOUNTING PANEL THICKNESS 1.473 - 1.600 [.058 - .063].
- 4 LEFT AND RIGHT SHIELDS SHIPPED NOT ASSEMBLED.
- 5 CAVITY CONFORMS TO FCC RULES AND REGULATIONS PART 68 SUBPART F REQUIREMENTS.
- 6 THESE TWO SUGGESTED CUTOUT OPENINGS ARE USED IN TANDEM WITH DUAL FRONT AND BACK CUTOUTS.



SUGGESTED SINGLE PANEL CUTOUT SCALE 2:1



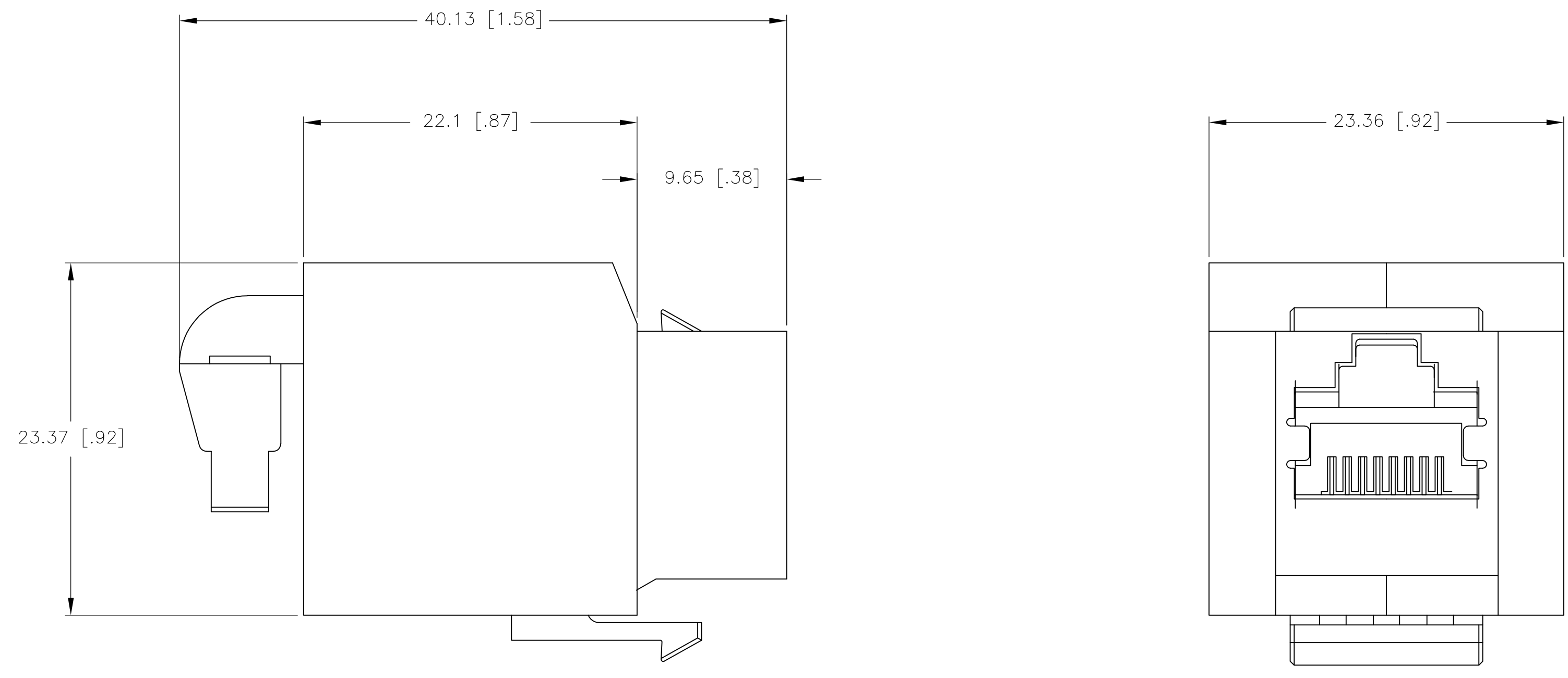
SUGGESTED BACK PANEL CUTOUT SCALE 2:1

SUGGESTED FRONT PANEL CUTOUT SCALE 2:1

|  |            |                        |   |
|--|------------|------------------------|---|
| THIS DRAWING IS A CONTROLLED DOCUMENT. |            | DWG: C. WHITT 18DEC98  | TE Connectivity   |
| DIMENSIONS: mm[INCHES]                 |            | CHK: K. ALLEN 18DEC98  |   |
| TOLERANCES UNLESS OTHERWISE SPECIFIED: |            | APPV: K. ALLEN 18DEC98 | NAME: 110 MODULAR JACK ASSEMBLY RJ45, ENHANCED, CAT5, SHIELDED, UNIVERSAL |
| 0. PLC ± -                             | 1. PLC ± - | 2. PLC ± 0.25 [.01]    | APPLICATION SPEC  |
| 3. PLC ± 0.13 [.005]                   | 4. PLC ± - | ANGLES ± -             | RESTRICTED TO   |
| MATERIAL: -1                           | FINISH: -1 | SIZE: A1               | WEIGHT: -   |
| CUSTOMER DRAWING                       |            | SCALE: 4:1             | SHEET: 1 OF 2   |

THIS DRAWING IS UNPUBLISHED. RELEASED FOR PUBLICATION  
 © COPYRIGHT - By - ALL RIGHTS RESERVED.

| LOC | DIST | REVISIONS       |      |     |      |  |
|-----|------|-----------------|------|-----|------|--|
| P   | LTR  | DESCRIPTION     | DATE | OWN | APPR |  |
| HM  | 00   | - SEE SHEET 1 - | -    | -   | -    |  |



VIEW SHOWING SHIELDS ASSEMBLED

|  |        |                             |                 |  |
|--|--------|-----------------------------|-----------------|--|
| THIS DRAWING IS A CONTROLLED DOCUMENT.   |        | OWN<br>C. WHITT<br>18DEC98  | TE Connectivity |  |
| DIMENSIONS:<br>mm(INCHES)  |        | CHK<br>K. ALLEN<br>18DEC98  | NAME            | 110 MODULAR JACK ASSEMBLY<br>RJ45, ENHANCED, CAT5, SHIELDED, UNIVERSAL |
| TOLERANCES UNLESS OTHERWISE SPECIFIED:<br>0 PLC ± -<br>1 PLC ± -<br>2 PLC ± 0.25 [01]<br>3 PLC ± 0.13 [005]<br>4 PLC ± -<br>ANGLES ± - |        | APVD<br>K. ALLEN<br>18DEC98 | PRODUCT SPEC    | APPLICATION SPEC   |
| MATERIAL   | FINISH | WEIGHT                      | SIZE            | CAGE CODE  |
| -  | -      | -                           | A1              | 00779  |
| CUSTOMER DRAWING   |        | SCALE                       | SHEET           | REV  |
|  |        | 4:1                         | 2               | C1   |