

4

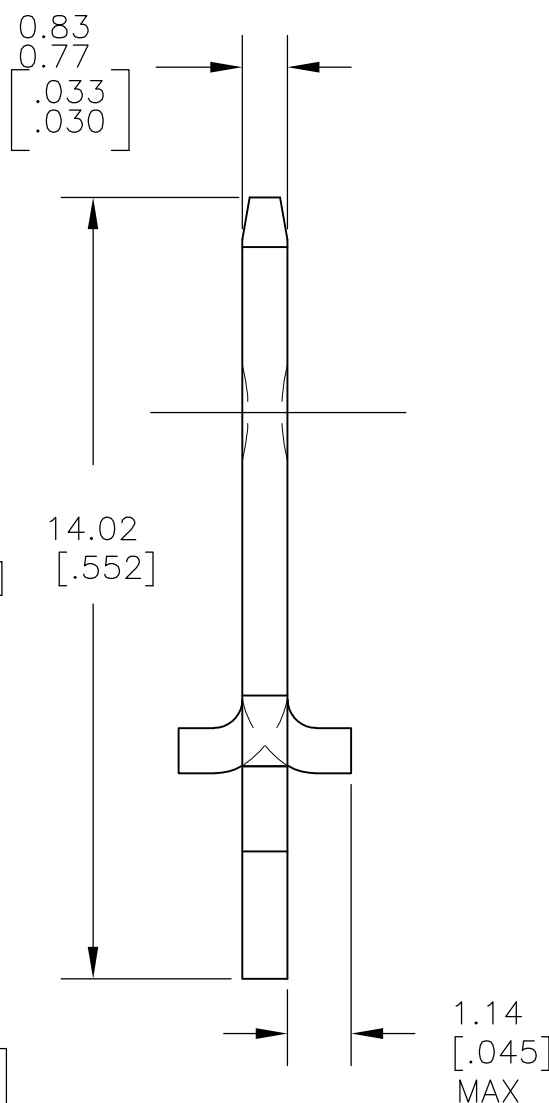
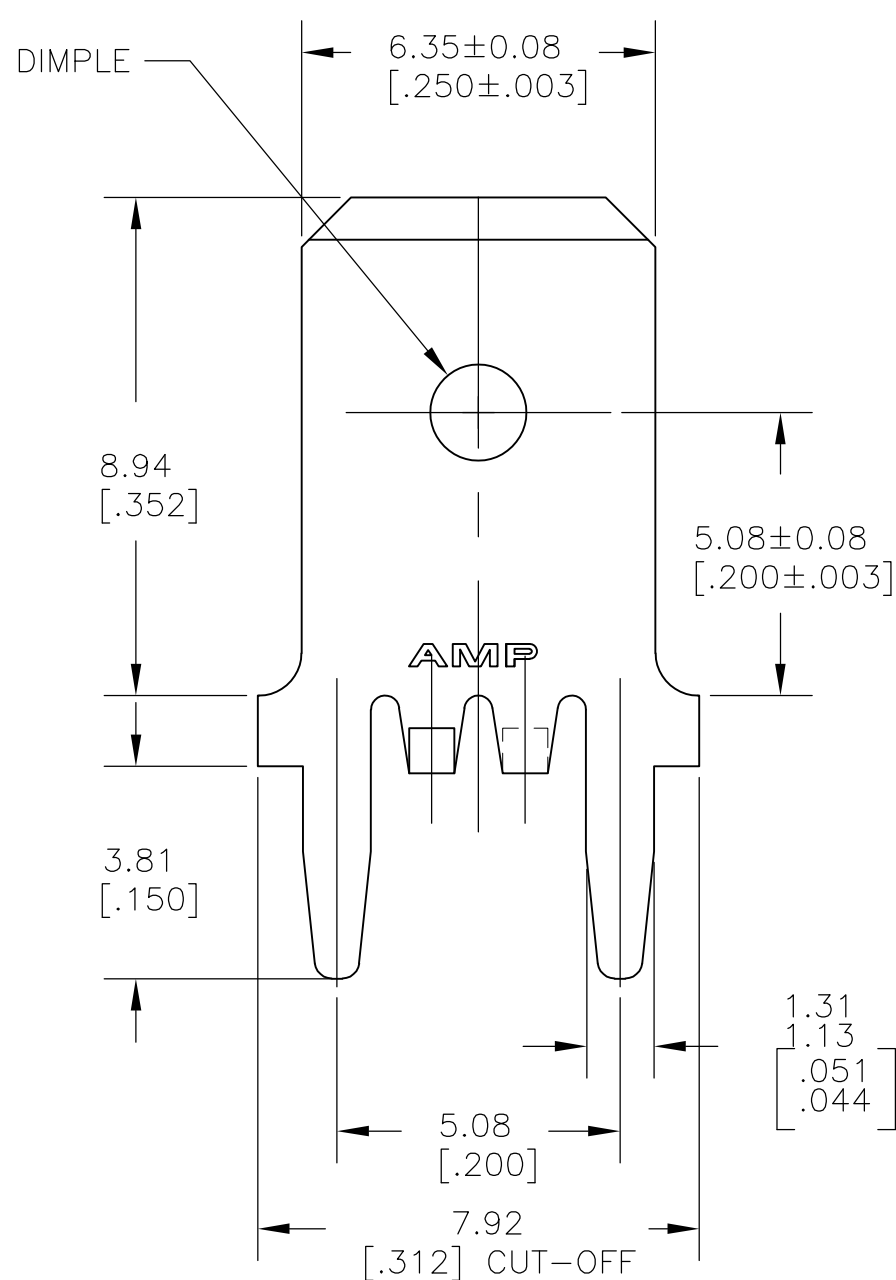
3

2

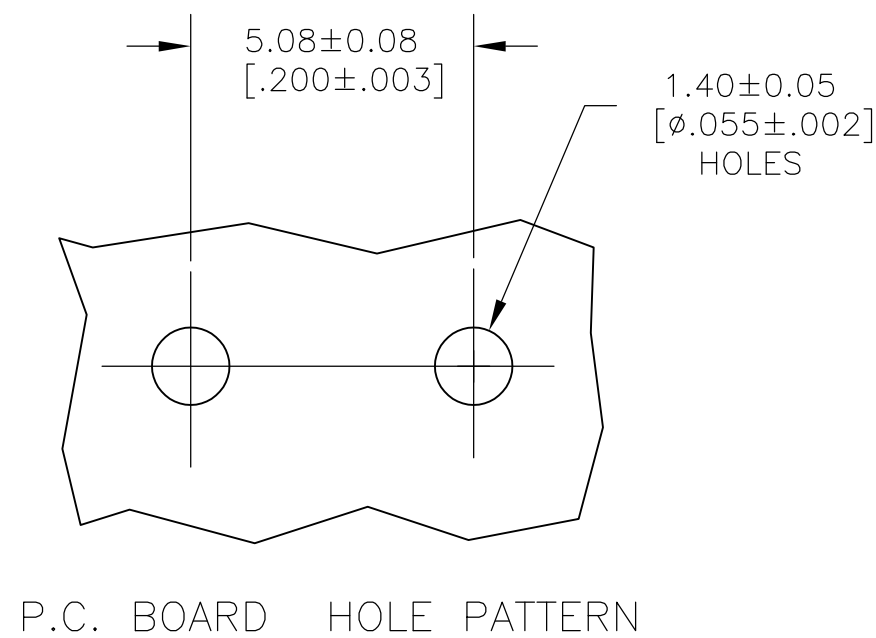
1

THIS DRAWING IS UNPUBLISHED. RELEASED FOR PUBLICATION
 © COPYRIGHT - By - ALL RIGHTS RESERVED.

LOC	DIST	REVISIONS				
P	LTR	DESCRIPTION	DATE	DWN	APVD	
AF	50					
	F3	REVISED PER ECO-11-004820	11MAR11	RK	HMR	



- 1 CONTINUOUS STRIP ON REELS.
- 2 TIN PLATE 0.00381 [.000150] MIN OVER 0.00254 [.000100] MIN THK COPPER.



1217861-1
PART NO.

THIS DRAWING IS A CONTROLLED DOCUMENT.		DWN	JR RUTH	24JUL02	TE Connectivity	NAME			RESTRICTED TO	
DIMENSIONS:		CHK	MS FEHER	24JUL02		TAB, FASTON, P.C.BOARD				
mm [INCHES]		APVD	N DEIBERT	24JUL02		6.35 [.250]				
TOLERANCES UNLESS OTHERWISE SPECIFIED:		PRODUCT SPEC	-			SIZE	CAGE CODE	DRAWING NO		
0 PLC ± - 1 PLC ± - 2 PLC ± 0.25 [.010] 3 PLC ± - 4 PLC ± - ANGLES ± -		APPLICATION SPEC	114-2115			A3	00779	C-1217861		
MATERIAL		WEIGHT	-			SCALE 8:1			SHEET 1 OF 1	REV F3
082 BRASS		FINISH	2			CUSTOMER DRAWING				