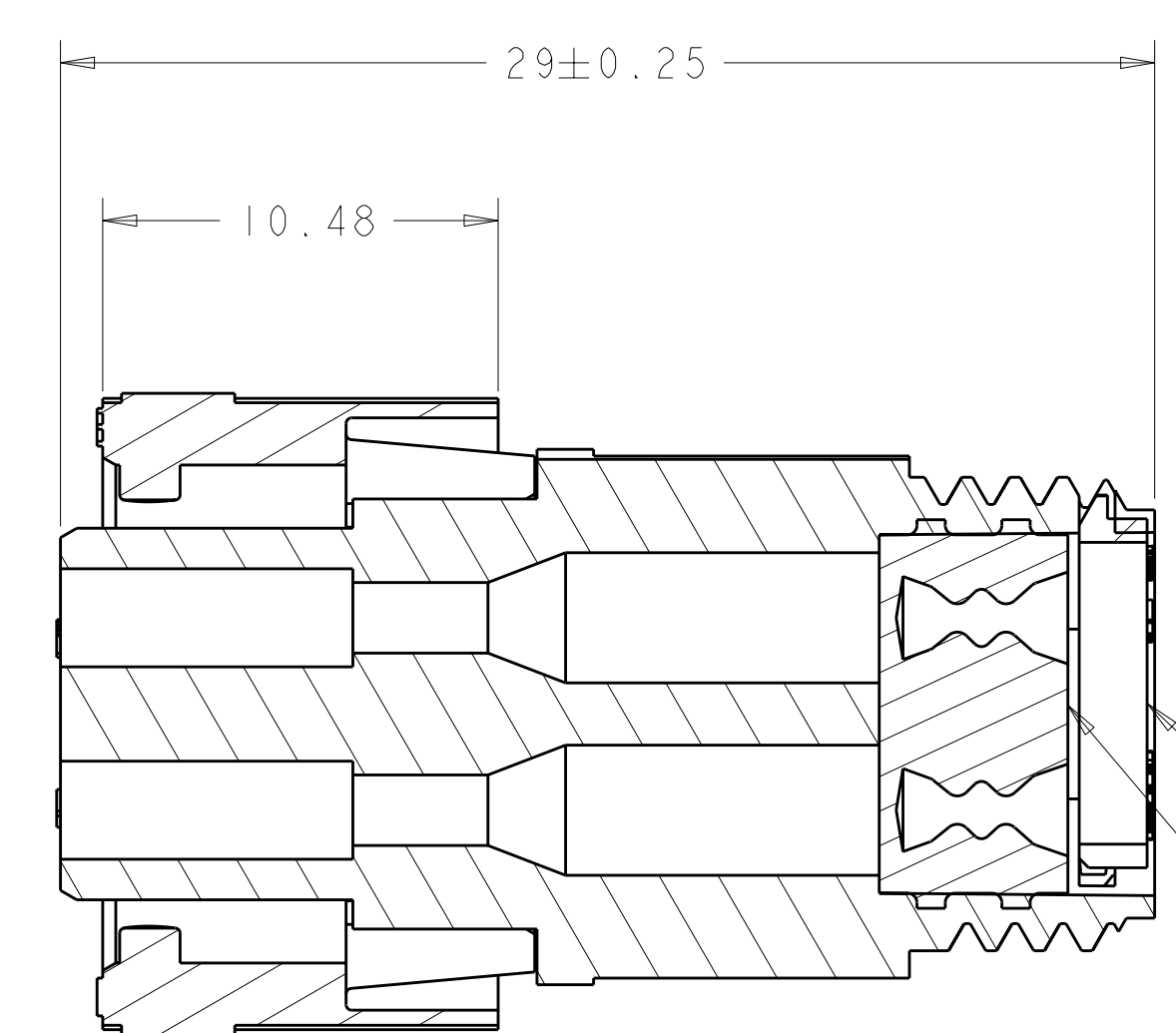
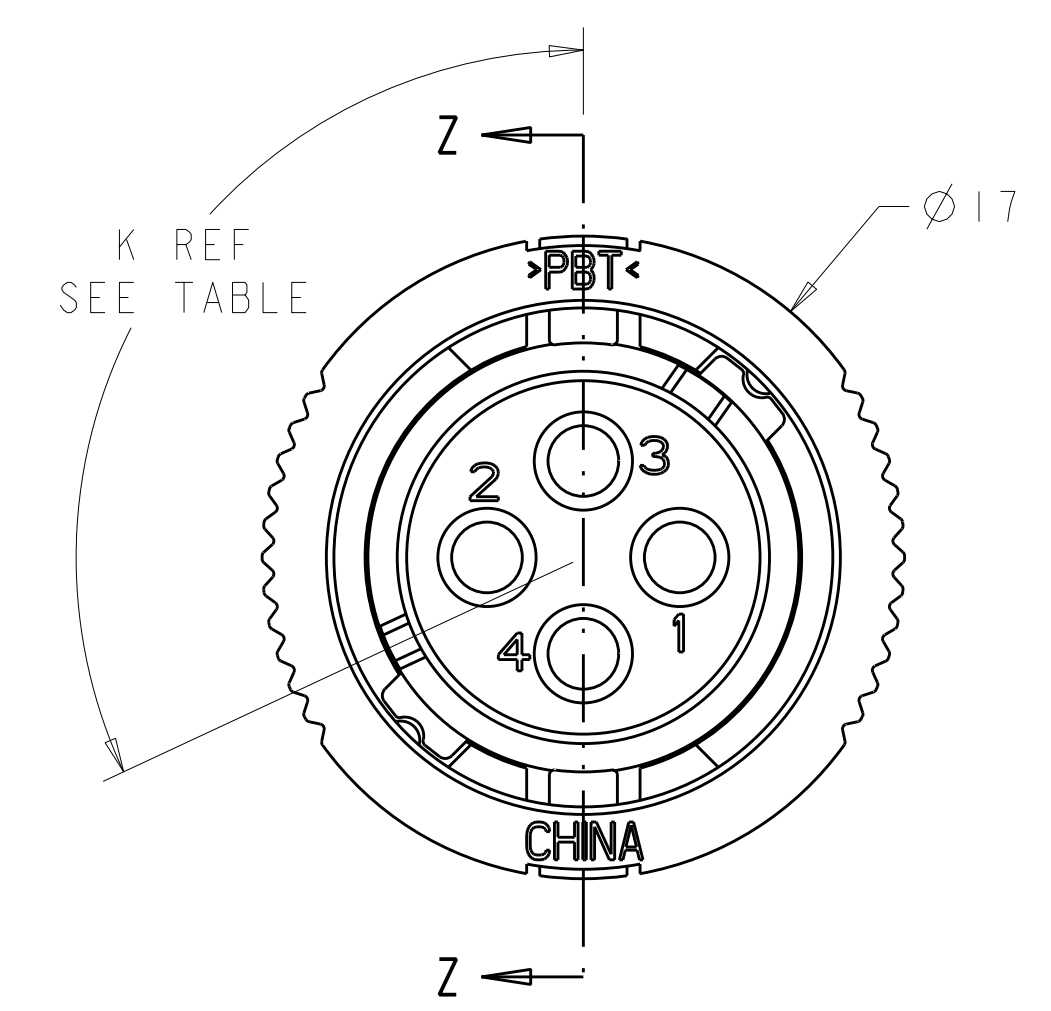
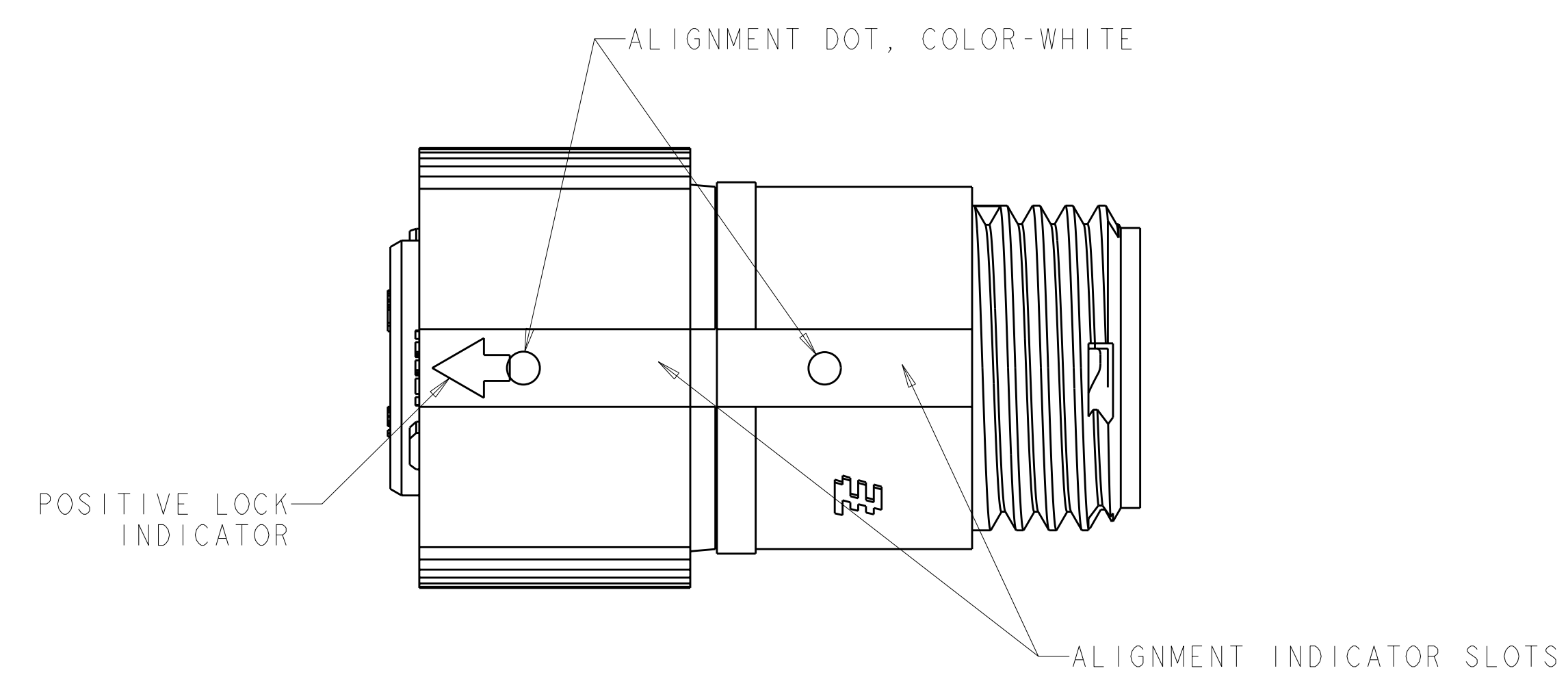
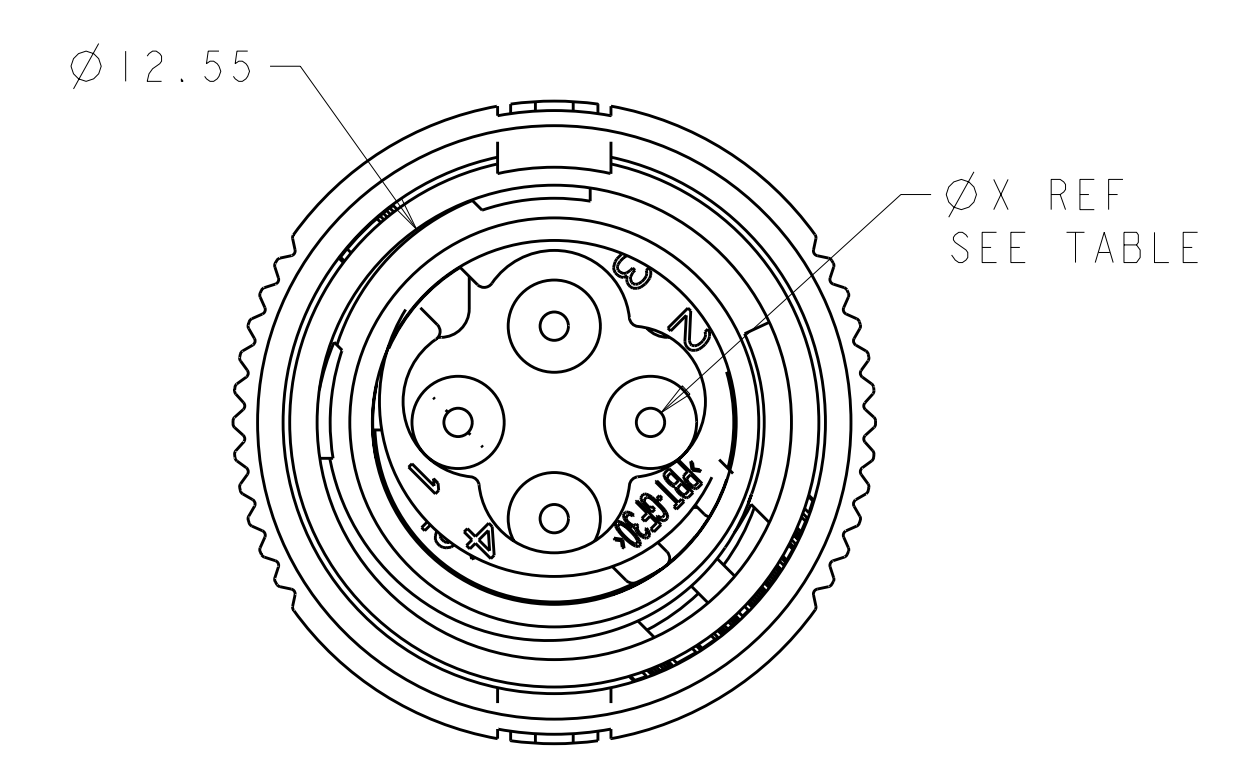


| LOC | DIST | REVISIONS | | | |
|-----|-----------|-----------|-----|------|---------------------------|
| REV | DATE | BY | CHK | APPD | DESCRIPTION |
| B2 | 12MAR2011 | RK | HMR | | REVISED PER ECO-11-004917 |

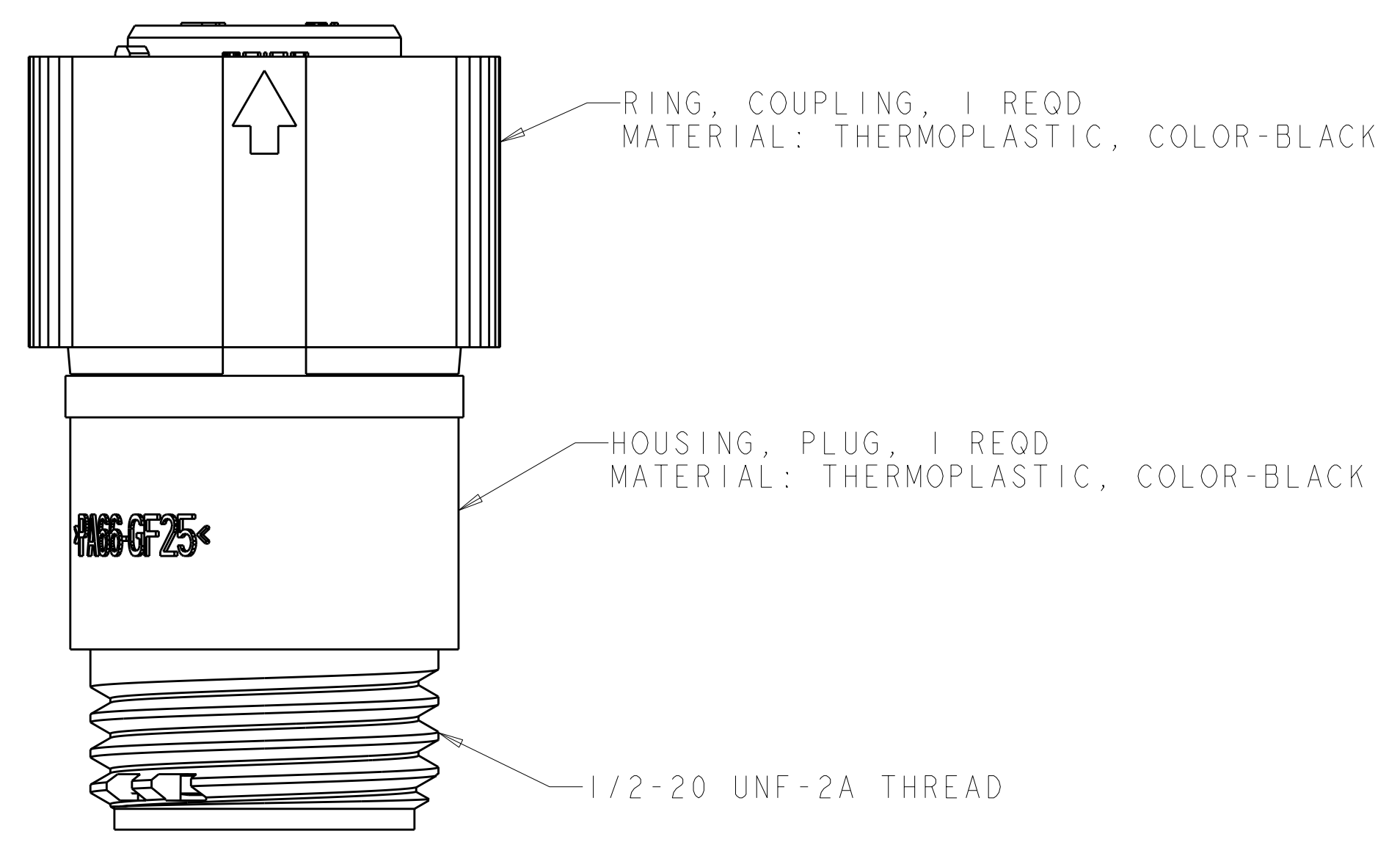


SECTION Z-Z



RETAINER, SEAL, 1 REQD
 MATERIAL: THERMOPLASTIC, COLOR-BLACK

SEAL, WIRE ENTRY, 1 REQD
 MATERIAL: ELASTOMER, COLOR-SEE TABLE



QUALIFICATION TEST PENDING

| | | | |
|------------------------|--------|-------|-------------|
| YELLOW | Ø0.75 | 130° | 1445390-04 |
| NATURAL | Ø1.5 | 115° | 1445390-03 |
| NATURAL | Ø1.5 | 130° | 1445390-02 |
| YELLOW | Ø0.75 | 115° | 1445390-01 |
| SEAL, WIRE ENTRY COLOR | ØX REF | K REF | PART NUMBER |

THIS DRAWING IS A CONTROLLED DOCUMENT.

APVD: H. WAKEEM 12JUN2003

CHK: H. WAKEEM 12JUN2003

DESIGNED BY: S. DOUTHY 01MAR2001

NAME: ASSEMBLY, PLUG, SIZE 8 4 POSITION, SEALED, MINI CPC

PRODUCT SPEC: -

APPLICATION SPEC: -

SIZE: A100779 C=1445390

SCALE: 5:1 SHEET 1 OF 1 REV: B2

4805 (3/11)