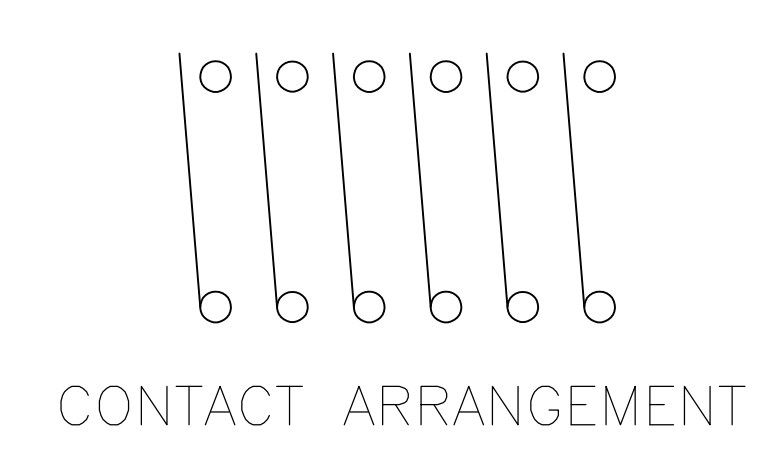
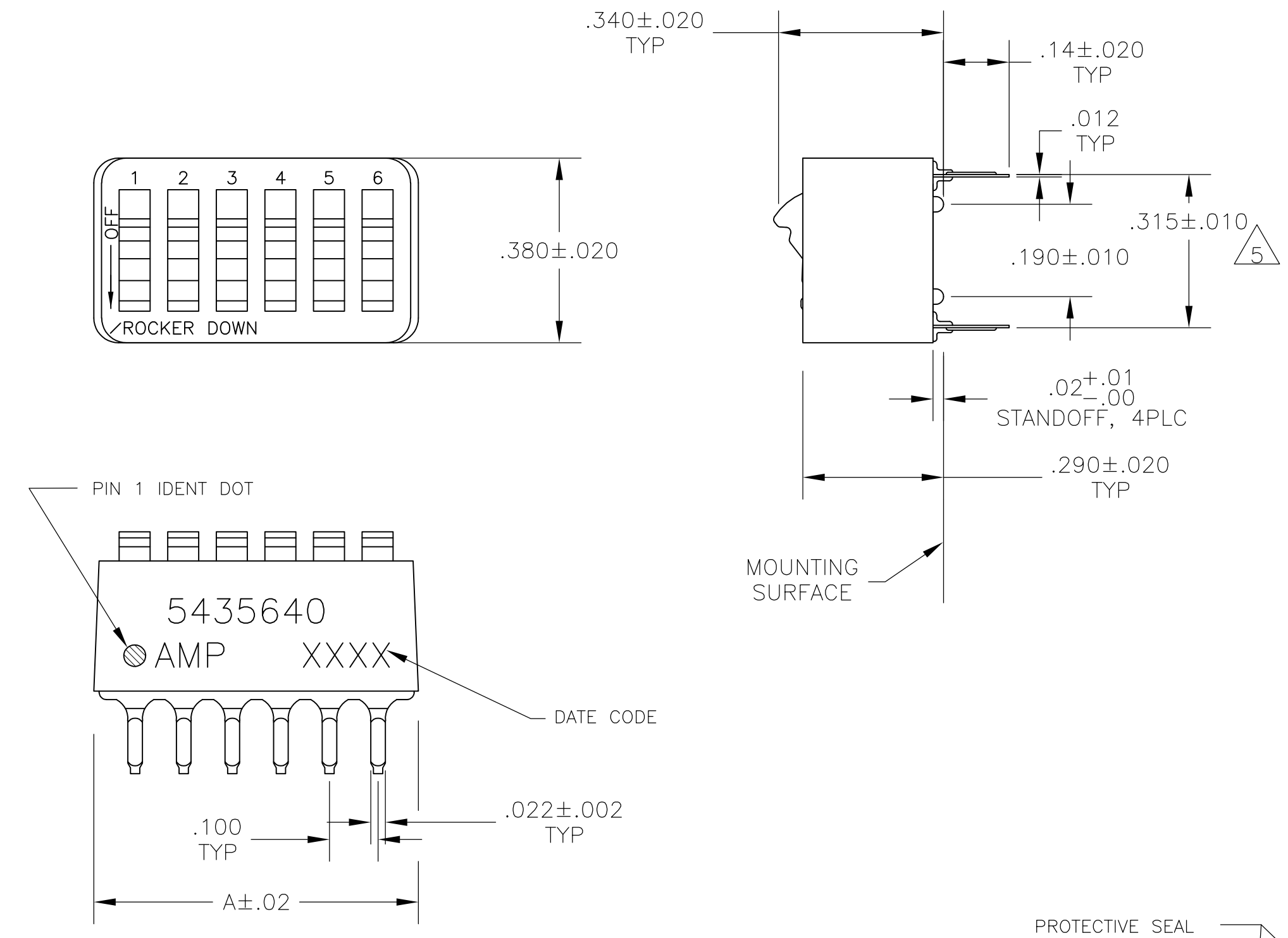


LOC		DIST		REVISIONS			
P	LTR	DATE	DESCRIPTION	DATE	DN	APVD	
B2	REVISED PER ECO-11-004587	11MAR11			RK	HMR	



- 1 FOR ADDITIONAL SPECIFICATIONS SEE AMP PRODUCT SPEC 108-7532.
  - 2 SWITCH SHOWN IN OPEN POSITION.
  - 3 ALL CHARACTERS AND ROCKERS ARE WHITE, HOUSING IS BLUE.
  - 4 STAMPING WILL VARY ON 2 AND 3 POSITION SIDES DUE TO SPACE RESTRICTIONS.
  - 5 .315 DIMENSION APPLIES AT TERMINAL TIPS. TERMINALS ARE .300+.010 -.000 AT MOUNTING SURFACE.
  - 6 STRIPPABLE TRANSPARENT SEAL, SEE FIG 1.
  - 7 STRIPPABLE TRANSPARENT SEAL, SEE FIG 1.
  - 8 MATERIAL: HOUSING & ROCKERS- POLYESTER CONTACTS & SOLDER LEAD-COPPER ALLOY
  - 9 FINISH: CONTACTS- GOLD OVER NICKEL SOLDER LEAD- TIN OVER NICKEL
  - 10 ALL MATERIALS AND FINISHES SHALL COMPLY WITH EU DIRECTIVE 2002 /95/EC OF 27JAN2003(ROHS).
- 11 OBSOLETE PARTS: OBSOLETE CIS STREAMLINING PER D.RENAUD/D.SINISI

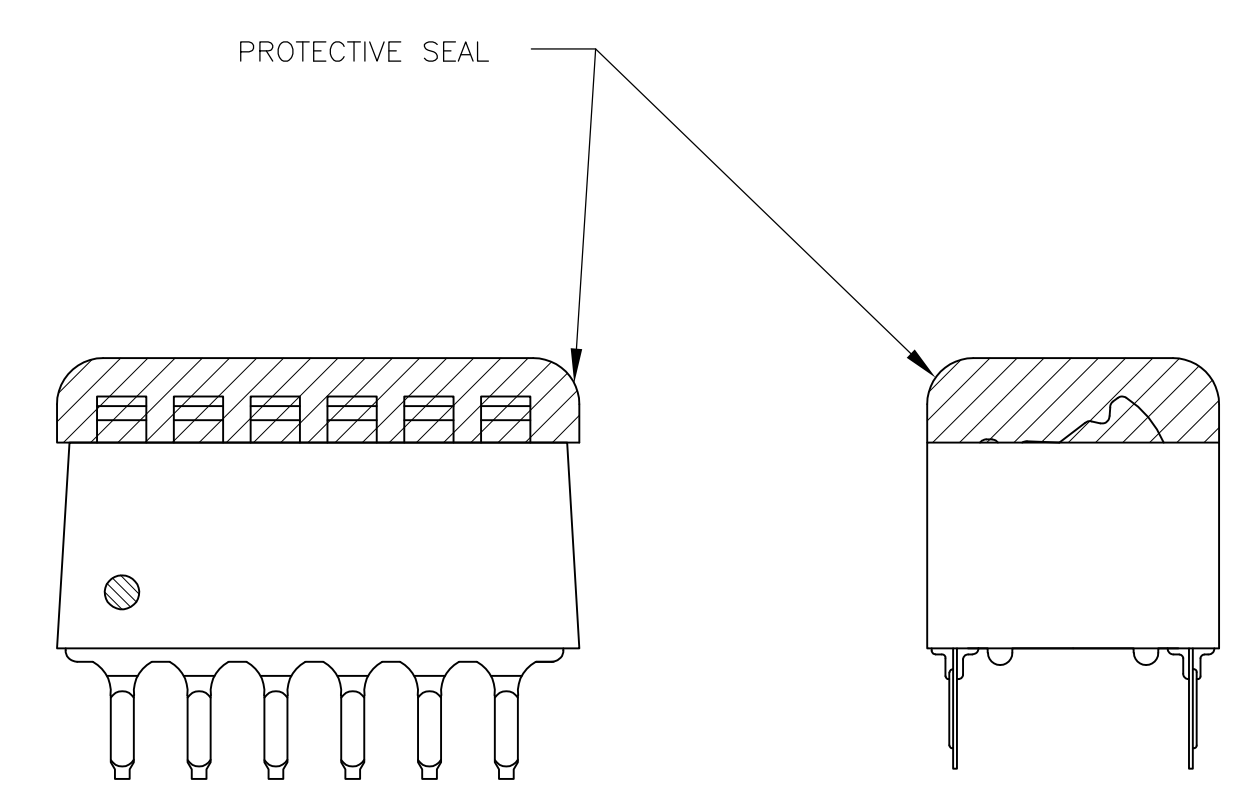


FIG 1

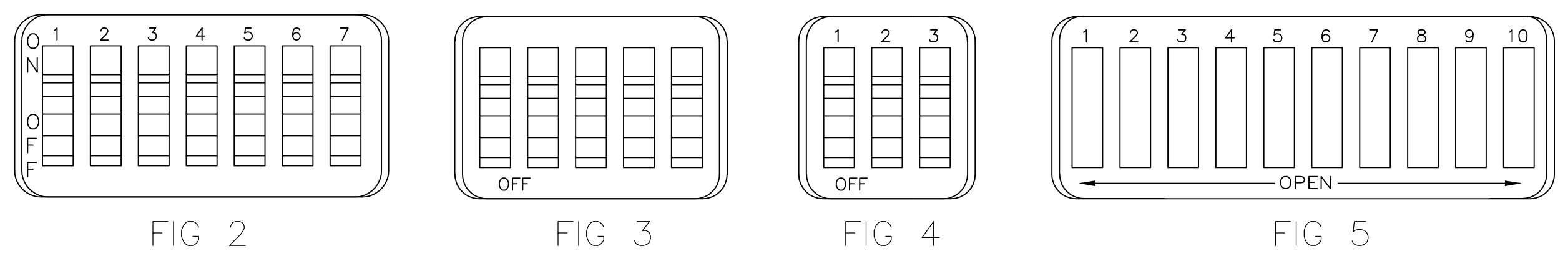


FIG 2

FIG 3

FIG 4

FIG 5

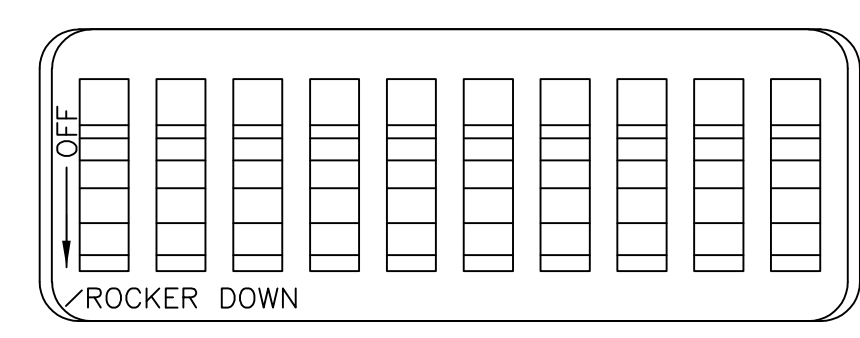


FIG 6

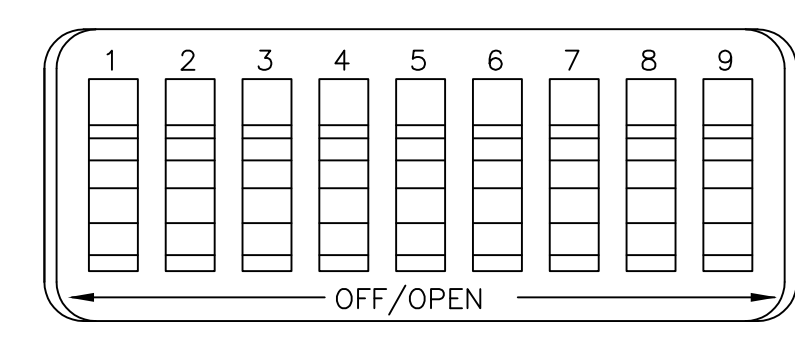


FIG 7

FIG	NO OF POSN	NO OF POSN	NO OF POSN	NO OF POSN
OBSOLETE	FIG 6	1.08	10	-6-5435640-1
	FIG 7	.58	5	-6-5435640-0
		.48	4	-5-5435640-9
OBSOLETE	FIG 5	.88	8	5-5435640-8
		.98	9	5-5435640-7
	.68	6	-5-5435640-6	
	.58	5	-5-5435640-5	
	.48	4	5-5435640-4	
OBSOLETE	FIG 2	.88	8	5-5435640-3
	FIG 5	1.08	10	5-5435640-1
	.88	8	5-5435640-0	
OBSOLETE	FIG 3	.88	8	-4-5435640-9
		.58	5	4-5435640-8
	NONE	1.08	10	-4-5435640-7
OBSOLETE	AS SHOWN	1.28	12	-4-5435640-3
		1.08	10	4-5435640-1
		.98	9	4-5435640-0
		.88	8	3-5435640-9
		.78	7	3-5435640-8
		.68	6	3-5435640-7
		.58	5	3-5435640-6
		.48	4	3-5435640-5
		1.28	12	3-5435640-2
		.38	3	3-5435640-0
FIG 4	.28	2	2-5435640-9	
	1.08	10	5435640-7	
	.98	9	5435640-6	
AS SHOWN	.88	8	5435640-5	
	.68	6	5435640-4	
	.58	5	5435640-3	
	.48	4	5435640-2	
	.78	7	5435640-1	
TOP MARKING	A	NO OF POSN	PART NO.	

THIS DRAWING IS A CONTROLLED DOCUMENT.

STE TE Connectivity

SWITCH ASSY, DIP, TYPE C, 7100 SERIES, SPST, STANDARD

00779 5435640

SCALE 4:1 SHEET 1 OF 1 REV B2