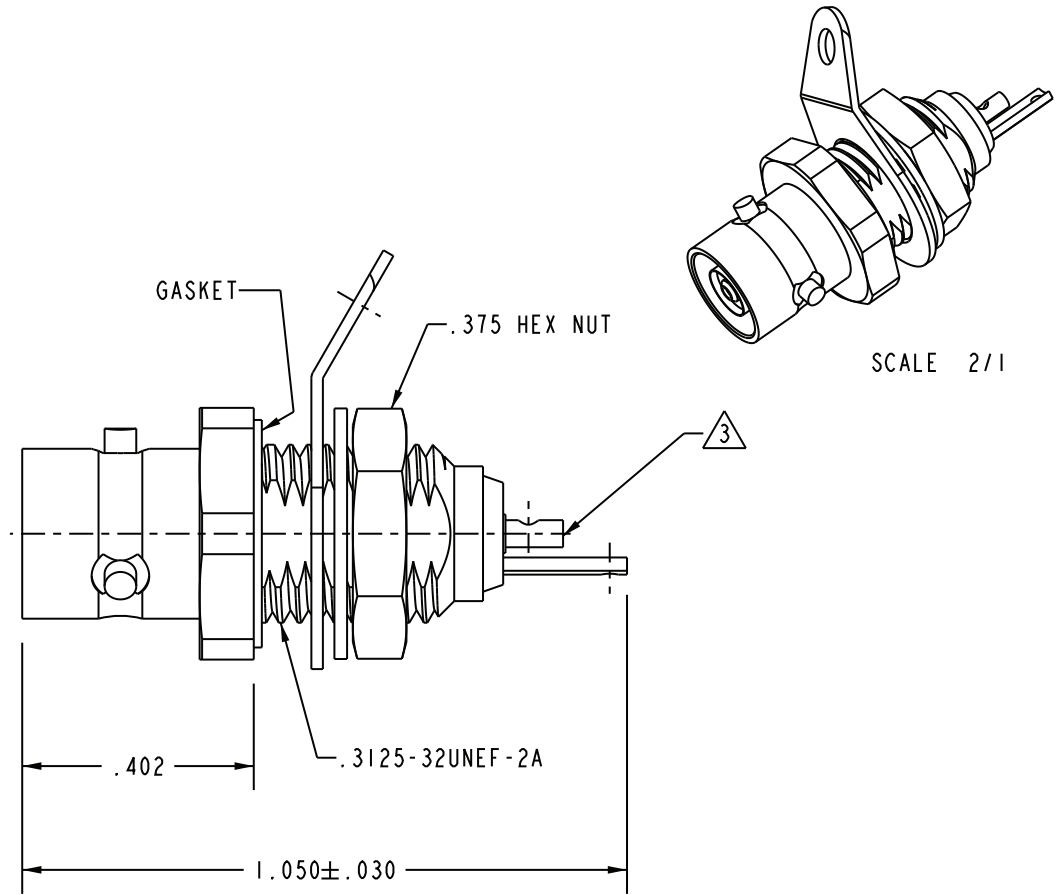
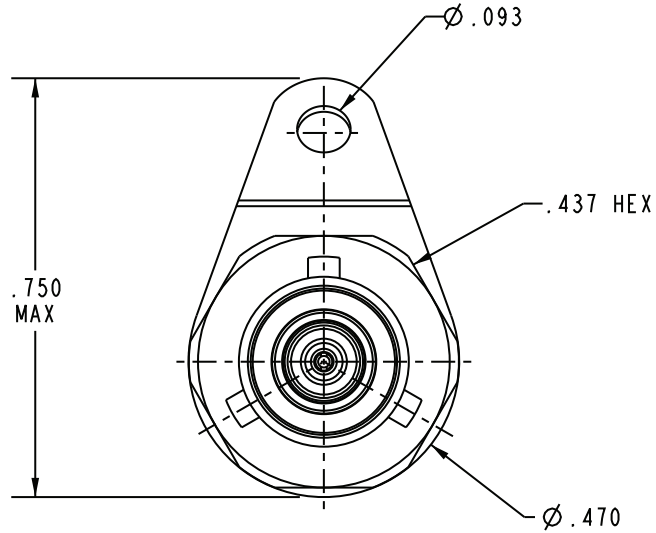
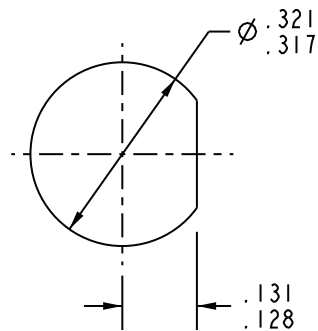


DATA CONTAINED IN THIS DOCUMENT IS PROPRIETARY TO EMERSON CONNECTIVITY SOLUTIONS AND SHALL NOT BE DISCLOSED, COPIED OR USED FOR PROMOTION OR MANUFACTURE WITHOUT EXPRESS WRITTEN PERMISSION

REVISIONS			
REV	DESCRIPTIONS	DATE	APPROVED
P	REVISED PER ECO 16924	6/4/09	



SCALE 2/1



RECOMMENDED
PANEL CUTOUT

4. SUBMINIATURE TRIAXIAL SOLDER POT BULKHEAD MOUNT 3-LUG RECEPTACLE (TPS STYLE)

3 SOLDER POT ACCEPTS ϕ .034 MAXIMUM CONDUCTOR

2. MAXIMUM PANEL THICKNESS: .187

1 FINISH: TFS-1A (NICKEL)

NOTES: UNLESS OTHERWISE SPECIFIED.

INTERPRET DRAWING PER MIL-STD-100. DIMENSIONS ARE IN INCHES AND INCLUDE FINISH THICKNESS UNLESS OTHERWISE SPECIFIED.		TOL: UNLESS SPECIFIED. .XX ± .02 .XXX ± .010 ANGLE ± 1°		 Connectivity Solutions 299 Johnson Ave. Ste. 100 Waseca, MN 56093 1-800-247-8256	
DRN N JOHNSON	5/8/09	MATERIAL:		TITLE: BJ157	
CHK LM	5/25/09	FINISH: 		SIZE A	CAGE CODE 14949
QUALITY				DRAWING NO. 3-0027	REV. P
MANUF				DATE 12-22-75	SHEET 1 OF 2
APPROVED LM	5/25/09	DO NOT SCALE DWG		SCALE 1/1	
SURFACE AREA	PROF TITLE NO 3-0027				