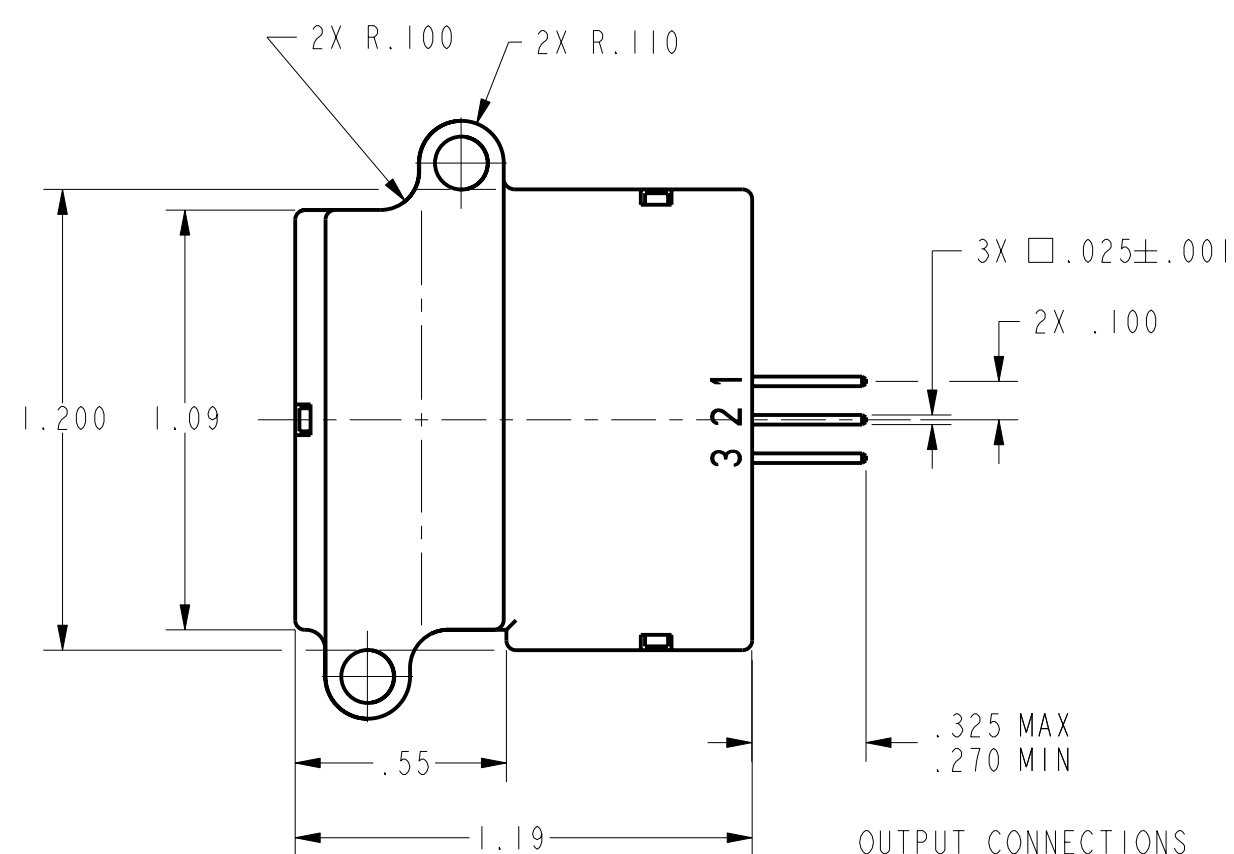
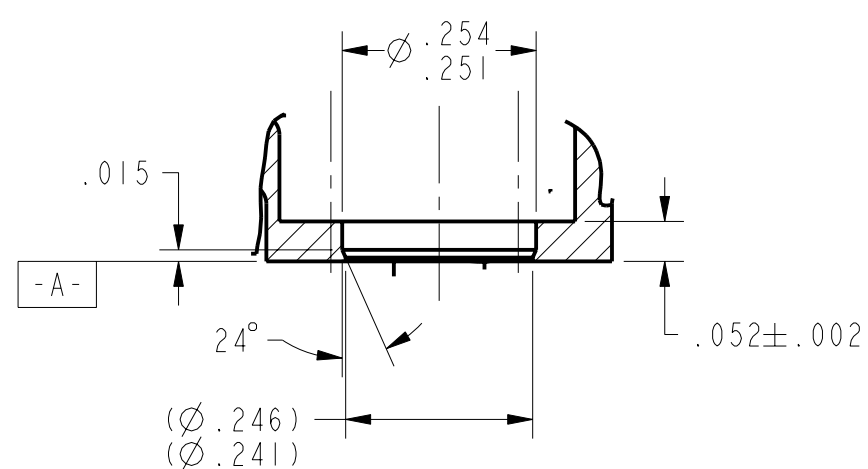
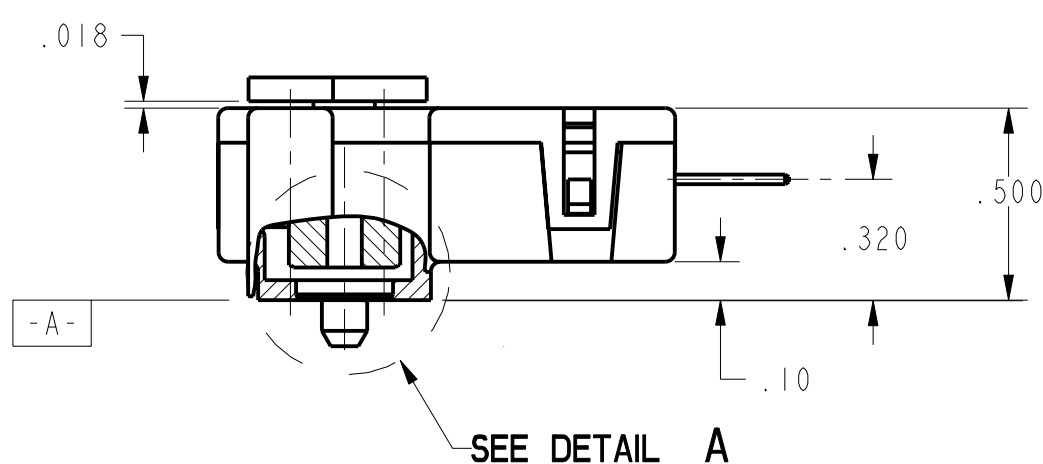
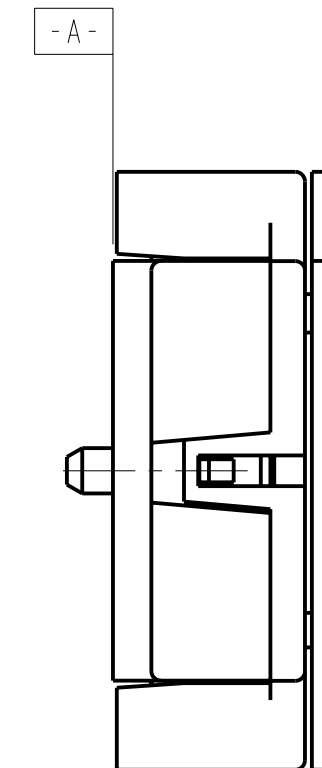
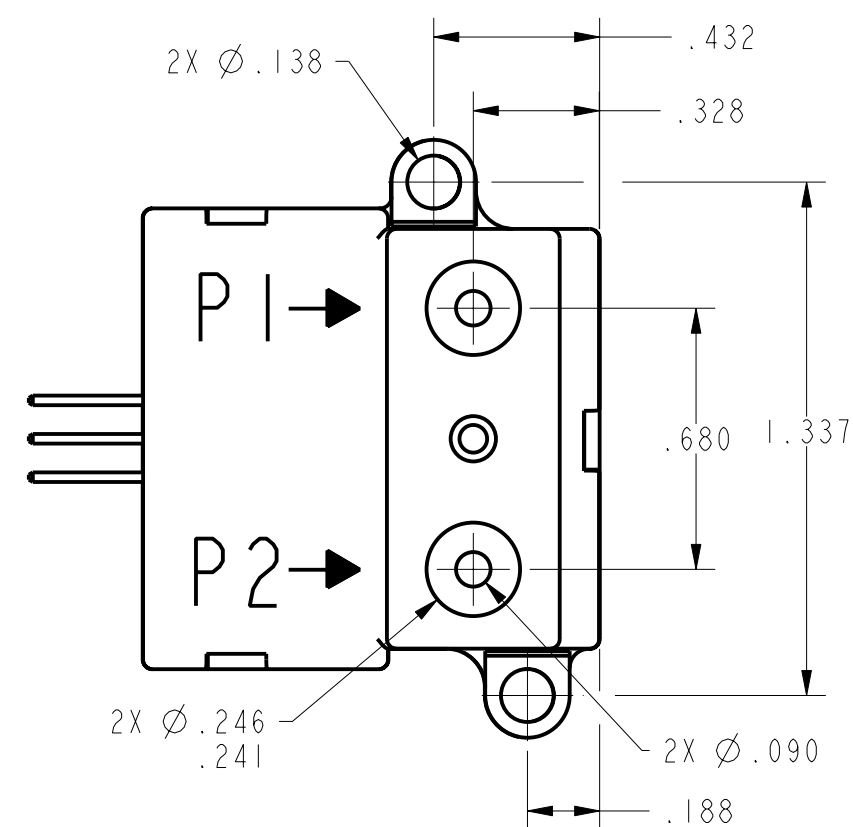
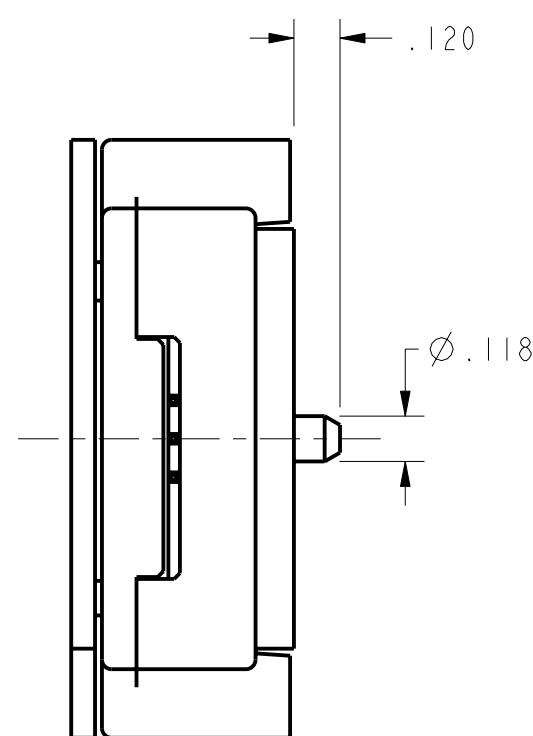


M

AWM43300V



OUTPUT CONNECTIONS  
 1 - OUTPUT  
 2 - SUPPLY  
 3 - GROUND



DETAIL A  
 SCALE 4:1

CATALOG LISTING: AWM43300V

| ELECTRICAL SPECIFICATIONS                                                                                      | MIN                     | NOM     | MAX    | UNITS  | NOTES     |
|----------------------------------------------------------------------------------------------------------------|-------------------------|---------|--------|--------|-----------|
| RECOMMENDED EXCITATION                                                                                         | 9.990                   | 10.000  | 10.010 | Vdc    |           |
| POWER SUPPLY (MIN/MAX)                                                                                         | 8.000                   | ---     | 15.000 | Vdc    |           |
| POWER CONSUMPTION                                                                                              | ---                     | ---     | 60     | mW     |           |
| OUTPUT LOADING                                                                                                 | SINK 10 mA SOURCE 20 mA |         |        |        |           |
| CALIBRATION GAS                                                                                                | NITROGEN                |         |        |        |           |
| NULL OUTPUT SHIFT:                                                                                             |                         |         |        |        |           |
| -25°C TO +85°C                                                                                                 | ---                     | ---     | ±.025  | Vdc    |           |
| FULL SCALE OUTPUT SHIFT:                                                                                       |                         |         |        |        |           |
| -25°C TO +25°C                                                                                                 | ---                     | ---     | -5.0   | % READ |           |
| +25°C TO +85°C                                                                                                 | ---                     | ---     | +6.0   | % READ |           |
| RATIOMETRICITY ERROR                                                                                           | ---                     | ±.3     | ---    | % READ | (TYPICAL) |
| REPEATABILITY & HYSTERESIS                                                                                     | ---                     | ---     | ±.5    | % READ | (1)       |
| RESPONSE TIME                                                                                                  | ---                     | 1.0     | ---    | msec   |           |
| FLOW SPECIFICATIONS                                                                                            | FLOW                    | NOMINAL | ±TOL   |        |           |
|                                                                                                                | (Scm)                   | (Vdc)   | (Vdc)  |        |           |
|                                                                                                                | 1000                    | 5.000   | 0.15   |        |           |
|                                                                                                                | 900                     | 4.970   | 0.16   |        |           |
|                                                                                                                | 800                     | 4.885   | 0.17   |        |           |
|                                                                                                                | 700                     | 4.775   | 0.18   |        |           |
|                                                                                                                | 600                     | 4.630   | 0.19   |        |           |
|                                                                                                                | 500                     | 4.430   | 0.20   |        |           |
|                                                                                                                | 400                     | 4.155   | 0.21   |        |           |
|                                                                                                                | 300                     | 3.760   | 0.19   |        |           |
|                                                                                                                | 200                     | 3.225   | 0.17   |        |           |
|                                                                                                                | 100                     | 2.485   | 0.14   |        |           |
|                                                                                                                | 0                       | 1.000   | 0.05   |        |           |
| MECHANICAL SPECIFICATION                                                                                       | SPECIFICATION LIMITS    |         |        |        |           |
| PRESSURE DROP @ FULL SCALE                                                                                     | 1.02 IN. H2O TYP        |         |        |        |           |
| TEMPERATURE RANGE                                                                                              |                         |         |        |        |           |
| OPERATING                                                                                                      | -25 TO +85°C            |         |        |        |           |
| OVERPRESSURE                                                                                                   | 150 PSI                 |         |        |        |           |
| MAXIMUM ALLOWABLE RATE OF FLOW CHANGE THROUGH SENSOR TO PREVENT DAMAGE 5LPM/SEC                                |                         |         |        |        |           |
| NOTES:<br>1 - REPEATABILITY & HYSTERESIS TOLERANCES REFLECT INHERENT INACCURACIES OF THE MEASUREMENT EQUIPMENT |                         |         |        |        |           |

AWM43300V  
 DRAWING NUMBER  
 ISSUE 2  
 PAGES 1 OF 1  
 RELEASE NO. PR-22240  
 REPLACES X99136-AW  
 CHECK  
 REVISIONS  
 A 201414  
 TRF  
 6 OCT 00  
 CHECK  
 P.T.C./CAD  
 DRAWN  
 G.R.T 25 JUL 96  
 CHECK

ANSI Y14.5M-1982 APPLIES

THIS DRAWING COVERS A PROPRIETARY ITEM AND IS THE PROPERTY OF MICRO SWITCH, A DIVISION OF HONEYWELL. THIS DRAWING IS NOT TO BE COPIED OR USED WITHOUT THE APPROVAL OF MICRO SWITCH.

**MICRO SWITCH**  
 a Honeywell Division

**MASS AIRFLOW SENSOR**

CATALOG LISTING  
**AWM43300V**

FED. MFG. CODE 91929

THIRD ANGLE PROJECTION

SCALE 2:1

DO NOT SCALE PRINT

UNLESS OTHERWISE SPECIFIED TOLERANCES ARE

|              |        |       |
|--------------|--------|-------|
| ONE PLACE    | (.0)   | ±.030 |
| TWO PLACES   | (.00)  | ±.015 |
| THREE PLACES | (.000) | ±.005 |
| ANGLES       |        | ±     |

WEIGHT