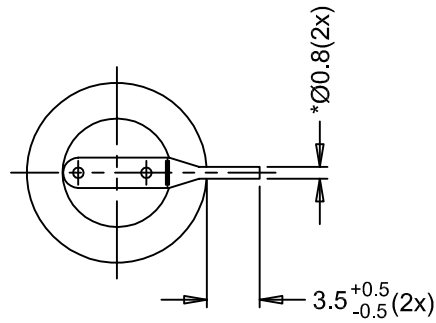
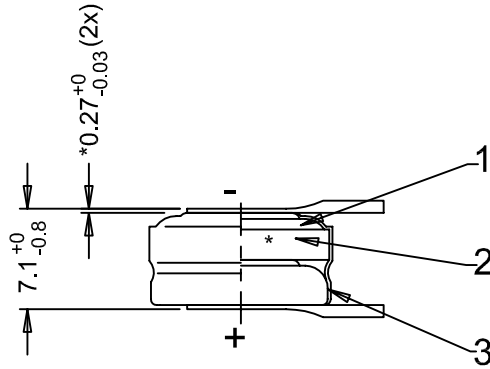
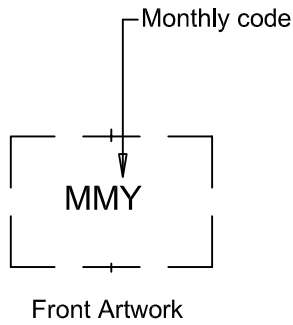
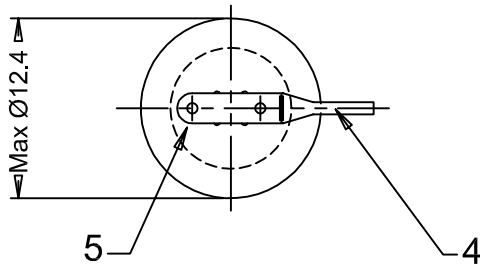


This is a controlled document.
 Hardcopy to be endorsed by authorised person.
 Check with Issuing Officer or SAP system for latest update.



Note: 1) Special care to be taken ie: NOT to mix the polarities
 2) * Dimension for reference only

Approx. wt: 3 g

1	12-R018	Change date code format from Q3 (QQY) to M3 (MMY)	2012-01-20	TitisWS
No	AO No	Revisions	1	Date
				Name

Projection:		Material: Refer to part list no: 071158		Description: 2/V15H SK S TP with sleeve & terminal pin	
Dimensions in mm		Prepared & Checked	Verified & Approved	Dwg. No: 071158	4 0 1
Tolerance: As specified		1998-03-13	TitisWS	VKB Order No: 55602 302 012	
Scale: 2 : 1					

Rights reserved to make technical changes, as a result of further development, without notice. This drawing is the property of VARTA Microbattery and must not be copied or disclosed to a third party without the written consent of VARTA Microbattery.

