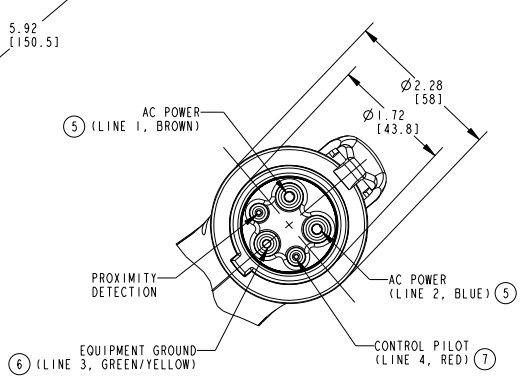
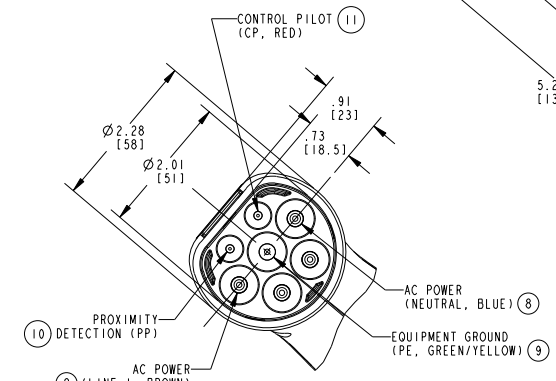
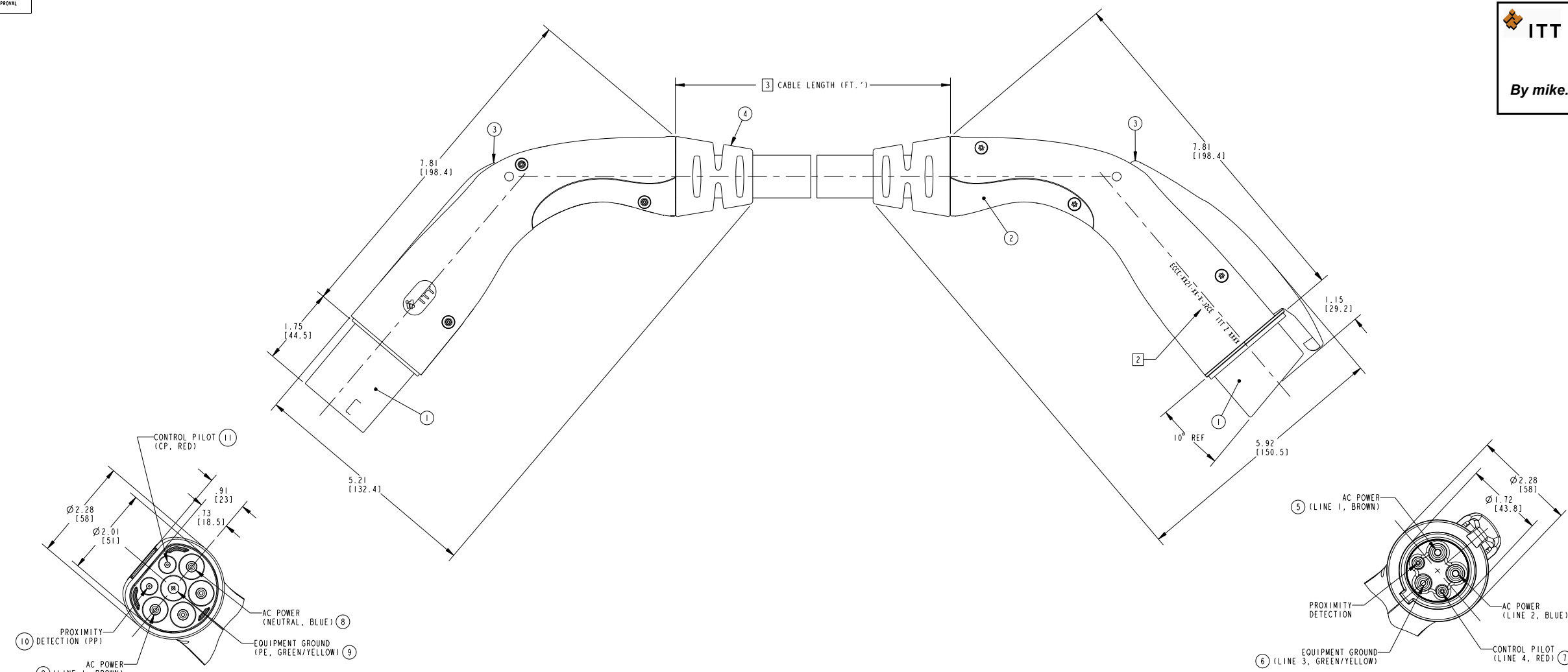


THIS DOCUMENT AND THE INFORMATION CONTAINED HEREIN IS THE SOLE PROPERTY OF ITT VEAM LLC AND IS NOT TO BE COPIED, REPRODUCED, DISCLOSED OR TRANSMITTED BY ELECTRONIC MEDIA WITHOUT THE EXPRESSED PERMISSION OF ITT VEAM LLC. VIOLATIONS SUBJECT TO PENALTIES PROVIDED UNDER U.S. AND INTERNATIONAL LAW.

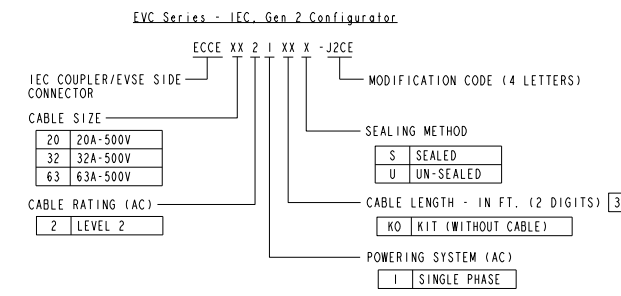
Export Classification Code - C
 THIS INFORMATION IS SUBJECT TO THE CONTROLS OF THE EXPORT ADMINISTRATION REGULATIONS (EAR) AND SHALL NOT BE TRANSFERRED BY ANY MEANS TO ANY PERSON OR LOCATION OUTSIDE OF THE U.S. WITHOUT THE WRITTEN PERMISSION FROM ITT AND APPROVAL FROM THE U.S. DEPARTMENT OF COMMERCE.

REV	DESCRIPTION	BY / DATE	APP'D.
A	RELEASED. ECR 10919	JG 022112	LAW
B	REVISED MOD. CODE. ECR 10924	JG 030512	LAW

ITT ISSUED
 By mike.gardiner at 1:36 pm, Apr 18, 2012



- NOTES: UNLESS OTHERWISE SPECIFIED
- CONNECTOR(S) MEET BOTH IEC 62196-1/-2 AND SAE J1772 SPECIFICATIONS FOR LEVEL 2 CHARGING CONNECTOR(S).
 - CONNECTOR MARKING TO INCLUDE - CATALOG No. AND DATE CODE.
 - STANDARD CABLE LENGTH TOLERANCE:
 - 1' FT. TO 10' FT. = ±1" IN.
 - 11' FT. TO 20' FT. = ±2" IN.
 - OVER 20' FT. = ±3" IN.



ITEM	PART NAME	DESCRIPTION
11	PIN CONTACT	SIZE - 3MM (SHORT), CRIMP P/N 5086TEC-3M-2-133 QTY - 1 MATERIAL - COPPER ALLOY FINISH - SILVER PLATED
10	PIN CONTACT	SIZE - 3MM (LONG), CRIMP P/N 5086TEC-3M-1-133 QTY - 1 MATERIAL - COPPER ALLOY FINISH - SILVER PLATED
9	PIN CONTACT	SIZE - 6MM, CRIMP P/N 5086TEC-6M-1-133 QTY - 1 MATERIAL - COPPER ALLOY FINISH - SILVER PLATED
8	PIN CONTACT	SIZE - 6MM, CRIMP P/N 5086TEC-6M-4-133 QTY - 4 MATERIAL - COPPER ALLOY FINISH - SILVER PLATED
7	SOCKET CONTACT	SIZE - 16, (0.5mm ²) CRIMP P/N 5151J2-16-12133 QTY - 2 MATERIAL - COPPER ALLOY FINISH - NICKEL PLATED
6	SOCKET CONTACT	SIZE - 10, (6.0mm ²) CRIMP P/N 5151J2-10-1133 QTY - 1 MATERIAL - COPPER ALLOY FINISH - NICKEL PLATED
5	SOCKET CONTACT	SIZE - 8, (6.0mm ²) CRIMP P/N 5082J2-8-11133 QTY - 2 MATERIAL - COPPER ALLOY FINISH - NICKEL PLATED
4	STRAIN RELIEF	MATERIAL - THERMOPLASTIC ELASTOMER (TPE)
3	LATCH / HANDLE INSERT	MATERIAL - ZINC ALLOY FINISH - BLACK CHROMATE
2	HANDLE	MATERIAL - POLYBUTYLENE TEREPHTHALATE (PBT)
1	FRONT INSERT	MATERIAL - GLASS FILLED NYLON

ITT
 100 New York Road
 Wallingford, CT 06495

CUSTOMER DRAWING

DRAWN	JG	DATE	022112	PROJECT	5386
CHECKED	SD	DATE	022112	REF	
APPROVED	LAW	DATE	022112	PART NO	SEE CONFIGURATOR
UNLESS OTHERWISE SPECIFIED:	SCALE	0.750	DESCRIPTION	EVC SERIES, CHARGING CONNECTOR COUPLER, 2-ND, IEC-J1772, EVSE 32A-500V, 1PHASE, LEVEL 2	
DIMENSIONS ARE IN (MM) INCHES	CAGE CODE	55561	SIZE	DS	SHEET 1 / 1
	REV			Z96913	REV B

DWG FILE NAME: Z96913