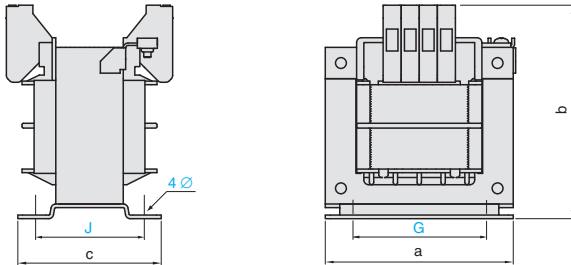


Dimensions

Economic range of transformers

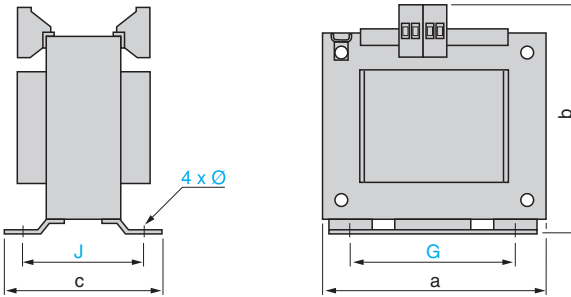
ABT 7ESM00●B/01●B/025B/032B/040B



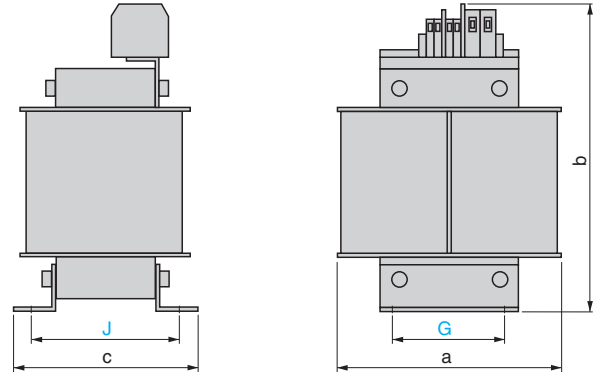
ABT	a	b	c	G	J	Ø
7ESM004B	79	90	70	56	48	5
7ESM006B	79	90	70	56	48	5
7ESM010B	85	94	86	64	67	5
7ESM016B	97	104	92	84	78	5
7ESM025B	98	106	105	84	86	5
7ESM032B	121	122	92	90	75	5
7ESM040B	121	122	103	90	86	5

Optimum range of transformers

ABL 6TS002● to ABL 6TS100●

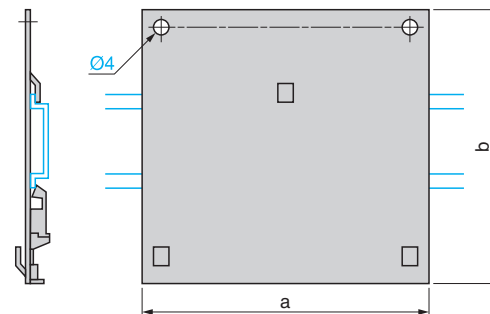


ABL 6TS160● and ABL 6TS250●



ABL	a	b	c	G	J	Ø
6TS002●	66	90	55	55	42	4.8
6TS004●	78	90	68	56	47.5	4.8
6TS006●	78	90	80	56	56	4.8
6TS010●	85	94	86	64	65.5	4.8
6TS016●	106	109	81	80.5	63	5.8
6TS025●	120	122	85	90	74.5	5.8
6TS040●	136	140	120	104	87	5.8
6TS063●	150	152	138	122	107.5	7
6TS100●	174	180	146	135	111.5	7
6TS160●	174	221	167	135	138	7
6TS250●	198	335	145	125	117	10

ABL 6AM0● mounting plates



ABL	a	b
6AM00	68	70
6AM01	78	70
6AM02	78	74
6AM03	84	78