

TECHNICAL CHARACTERISTICS

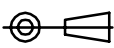

MATERIAL
 INSULATOR: LCP
 FLAMABILITY RATING: UL94-V0
 COLOR: BLACK
 CONTACT MATERIAL: COPPER ALLOY
 CONTACT TYPE: STAMPED
 CONTACT PLATING: SELECTIVE GOLD
 LATCH: STAINLESS STEEL
 QUALITY CLASS: 5000 MATING CYCLES

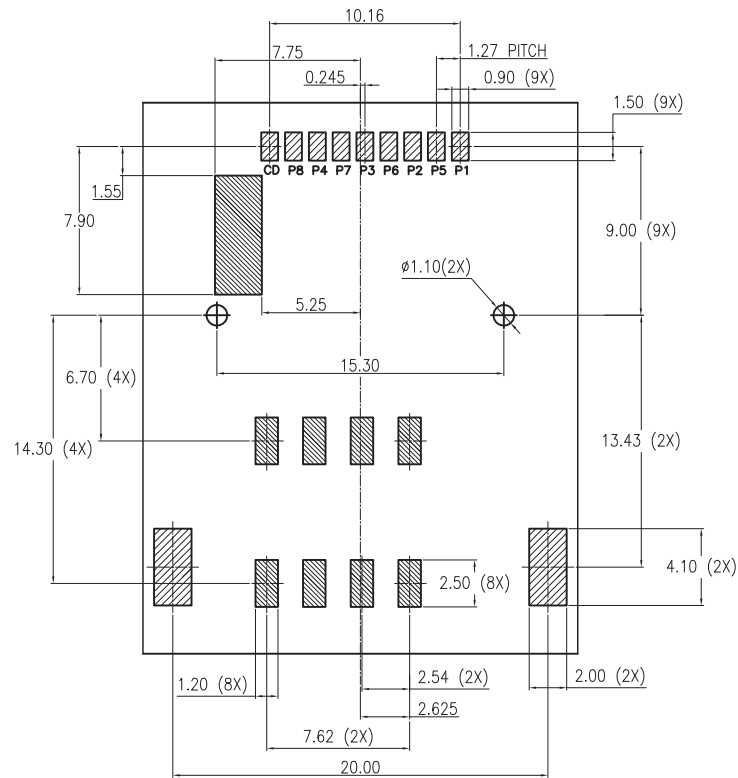
ENVIRONMENTAL
 OPERATING TEMPERATURE: -25 UP TO 85°C
 COMPLIANCE: LEAD FREE AND ROHS

ELECTRICAL
 CURRENT RATING: 0.5A
 WORKING VOLTAGE: 50VDC
 INSULATOR RESISTANCE: >100 MOHM
 DIELECTRIC WITHSTANDING VOLTAGE: 500VAC/MN
 CONTACT RESISTANCE: 100 mOHM MAX

SOLDERING
 REFLOW PROCESS ONLY

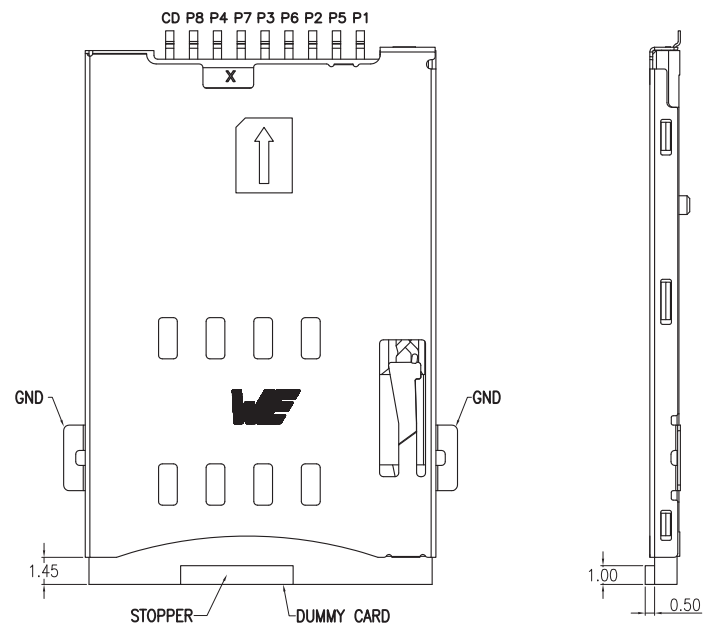
PACKAGING
 TAPE & REEL

RoHS Compliant				PROJECTION: 	GENERAL TOLERANCE .X = ± 0.2 .XX = ± 0.15	 WÜRTH ELEKTRONIK	DESCRIPTION: WR-CRD Mega SIM_Push and Push_8 pins	SIZE A4
G								
F								
E								
D				APPROVAL: RJ	UNIT: MM	WERI PART NO: 693 013 050 811		
C					SCALE:			
B					SHEET: 1/3			
A	08-JUL-12	PDF	GG		DRAW: VICKY			
REV	DATE	FILE	BY					

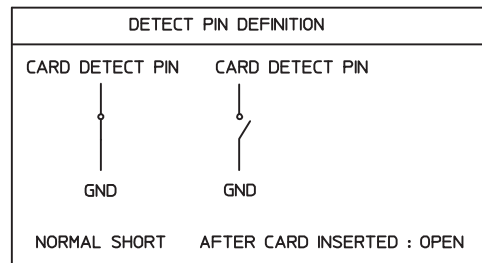


RECOMMENDED PCB LAYOUT
(GENERAL TOLERANCE ±0.05)

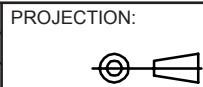
- CIRCUIT TRACE KEEP OUT AREA
- SOLDERING PAD AREA



CONNECTOR WITH DUMMY CARD



RoHS Compliant			
REV	DATE	FILE	BY



GENERAL TOLERANCE
 .X = ± 0.2
 .XX = ± 0.15



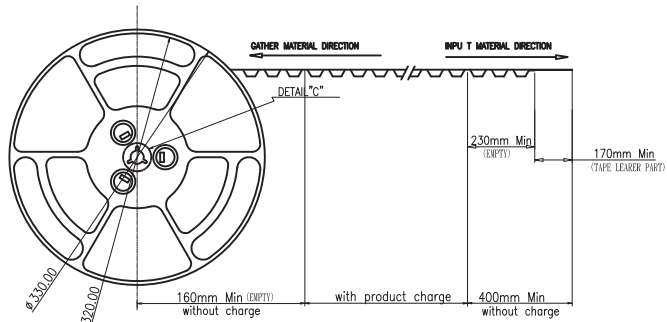
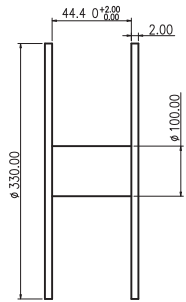
APPROVAL: RJ

UNIT: MM
 SCALE:
 SHEET: 2/3
 DRAW: VICKY

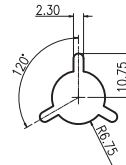
DESCRIPTION: SIM Card Connector - Header - 6 pins

WERI PART NO: 693 010 010 601

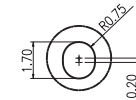
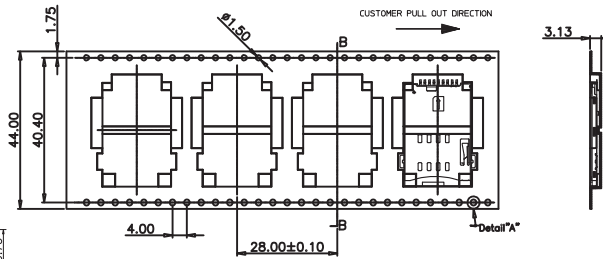
SIZE
A4



SCALE 1:3



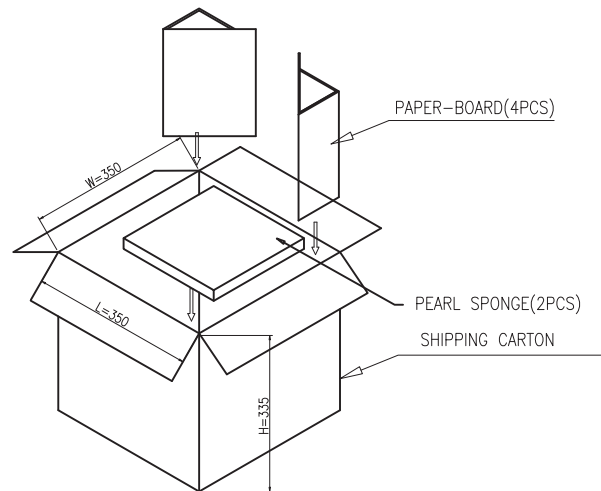
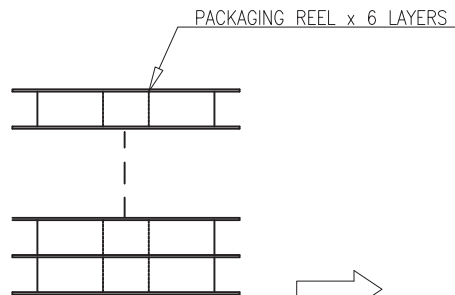
DETAIL "C"



DETAIL "D"

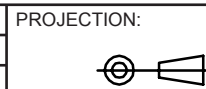
NOTES:

1. STAPLES SHOULD ONLY BE USED TO SET UP CARTON. ALL CARTON CLOSURES MUST BE DONE WITH TAPE.
2. FILL PACKAGING EMBOSSED TAPE WITH THE QUANTITIES AS INDICATED IN THE CHART.
3. A QUANTITY OF 600 CONNECTORS PER REEL. A QUANTITY OF 3600 CONNECTORS PER SHIPPING CARTON.



PCS/REEL	600
REEL/BOX	6
TOTAL (PCS)	3600
CTN SIZE	350*350*335MM
GW	5.76 KG
NW	8.65 KG
REEL MATERIAL	PS ,TRANSPARENT

RoHS Compliant			
G			
F			
E			
D			
C			
B			
A			
REV	DATE	FILE	BY



GENERAL TOLERANCE
 .X = +/- 0.2
 .XX = +/- 0.15



APPROVAL: RJ

UNIT: MM
 SCALE:
 SHEET: 3/3
 DRAW: VICKY

DESCRIPTION: WR-CRD Mega SIM_Push and Push_8 pins
 WERI PART NO: 693 013 050 811

SIZE
A4