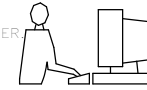
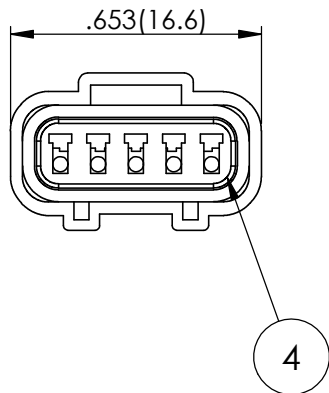
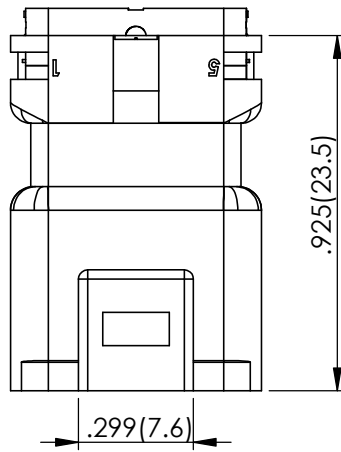


THIS IS A C.A.D. GENERATED DRAWING
DO NOT MAKE MANUAL REVISIONS TO MASTER

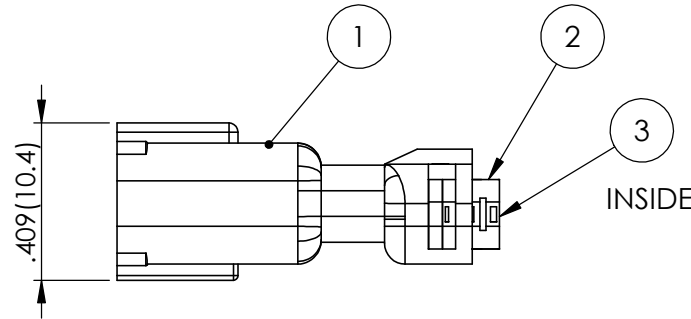
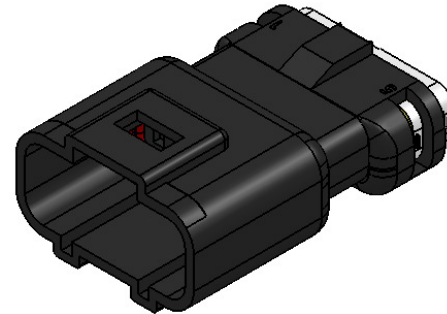


ISSUE NUMBER

ORIGINAL



INSIDE



MATERIALS:

1. HOUSING: PBT, UL94V-0, BLACK COLOR
2. INSULATOR: PBT, UL94V-0, WHITE COLOR
3. WIRE-HOUSING SEAL: SILICON RUBBER

SPECIFICATIONS

1. PITCH: 2.5MM
2. RATED VOLTAGE: 250V
3. RATED CURRENT: 3A MAX
4. WITHSTAND VOLTAGE: AC1000V R.M.S.
5. CONTACT RESISTANCE: 15 mOHMS MAX
6. INSULATION RESISTANCE:
1000 MOHMS MIN/DC 500V
7. TEMPERATURE RANGE: -40°C ~ +105°C
8. WATERPROOF GRADE: TESTED AND
CERTIFIED TO IP67

ITEM NO.	DESCRIPTION	QTY.
1	565-005-000-310_Housing	1
2	565-005-000-310_Rear Insulator	1
3	565-005-000-310_Rear Gasket	1
4	565-005-000-310_Front Gasket	1

Waterproof Connector, Insulator, Male, Black,
5Pin (22-28AWG)
565-005-000-310

ACAD REFERENCE NO. 565-005-000-310

DRAWN: R.STA.MONICA DATE: OCT.22/10

CHECKED: DATE:

SCALE: NOT TO SCALE SHEET 1 OF 1

DRAWING NUMBER ISSUE

565-005-000-310

1

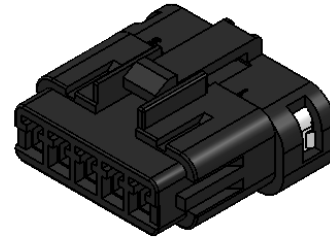
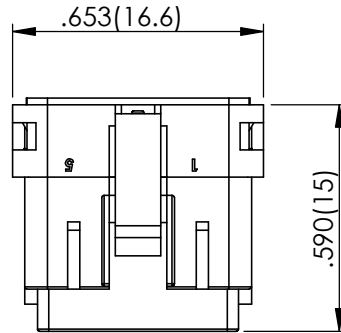


THIS SERIES FULLY CONFORMS TO THE
EUROPEAN UNION DIRECTIVES 2002/95/EC
AND 2002/96/EC FOR RoHS COMPLIANCY



EDAC INC
TORONTO, ONTARIO
CANADA
YOUR CONNECTION TO QUALITY & SERVICE

THESE DRAWINGS AND SPECIFICATIONS
ARE THE PROPERTY OF EDAC INC., AND
SHALL NOT BE REPRODUCED, OR COPIED
OR USED AS THE BASIS FOR THE
MANUFACTURE OR SALE OF APPARATUS
WITHOUT WRITTEN PERMISSION.

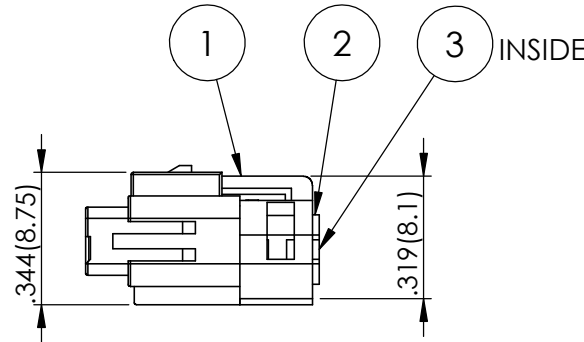
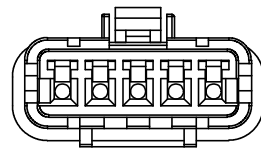


MATERIALS:

1. HOUSING: PBT, UL94V-0, BLACK COLOR
2. INSULATOR: PBT, UL94V-0, WHITE COLOR
3. WIRE-HOUSING SEAL: SILICON RUBBER

SPECIFICATIONS

1. PITCH: 2.5MM
2. RATED VOLTAGE: 250V
3. RATED CURRENT: 3A MAX
4. WITHSTAND VOLTAGE: AC1000V R.M.S.
5. CONTACT RESISTANCE: 15 MOHMS MAX
6. INSULATION RESISTANCE:
1000 MOHMS MIN/DC 500V
7. TEMPERATURE RANGE: -40°C ~ +105°C
8. WATERPROOF GRADE: TESTED AND
CERTIFIED TO IP67



ITEM NO.	DESCRIPTION	QTY.
1	565-005-000-410_Housing	1
2	565-005-000-410_Rear Insulator	1
3	565-005-000-410_Rear Gasket	1

Waterproof Connector, Insulator, Female,
Black, 5Pin (22-28AWG)
565-005-000-410

ACAD REFERENCE NO. 565-005-000-410

DRAWN: R.STA.MONICA DATE: OCT.22/10

CHECKED: DATE:

SCALE: NOT TO SCALE SHEET 1 OF 1

DRAWING NUMBER ISSUE

565-005-000-410

1



THIS SERIES FULLY CONFORMS TO THE
EUROPEAN UNION DIRECTIVES 2002/95/EC
AND 2002/96/EC FOR RoHS COMPLIANCY



EDAC INC
TORONTO, ONTARIO
CANADA
YOUR CONNECTION TO QUALITY & SERVICE

THESE DRAWINGS AND SPECIFICATIONS
ARE THE PROPERTY OF EDAC INC. AND
SHALL NOT BE REPRODUCED, OR COPIED
OR USED AS THE BASIS FOR THE
MANUFACTURE OR SALE OF APPARATUS
WITHOUT WRITTEN PERMISSION.