

NOTES:

- ⊕ REPRESENTS A CRITICAL DIMENSION.
- MINIMUM PUSHOUT FORCE FOR CONTACTS, WELD TABS AND THREADED INSERTS: 12 OZ.
- MINIMUM LOCKING CLIP RETENTION: 8 OZS.
- MAXIMUM HEIGHT VARIATION BETWEEN ANY TWO PINS: .005[0.13]
- MAXIMUM TERMINAL BURR: .003[0.08]
- COPLANARITY: .004[0.10] = POS 02 THRU 26
.006[0.15] = POS 27 THRU 50
- MEASURED FROM BEND.
- DIMENSION CHANGED PER REVISION AD. CONTACT ENGINEERING FOR INFORMATION.
- MEASURE FROM TIPS OF PIN.
- THIS FEATURE ONLY PRESENT ON -01 & -02 LEAD STYLES.
- DUE TO THE HIGH AMOUNT OF INSERTION FORCE NEEDED, THE -LC OPTION IS NOT COMPATIBLE WITH AUTO PLACEMENT. SAMTEC RECOMMENDS MANUAL PLACEMENT FOR ALL ASSEMBLIES WITH THE -LC OPTION.
- SIDES OF PLASTIC BODIES ON ALL LEAD STYLES EXCEPT THE -01 & -02 WILL BE SOLID, NOT RIBBED.

DO NOT SCALE FROM THIS PRINT

TFM-1XX-XX-XXX-X-XXX

- No OF POSITIONS
- LEAD STYLE -01: (-02 THRU -50 ALL POSITIONS AVAILABLE)
- LEAD STYLE -02: (-02 THRU -50 ALL POSITIONS AVAILABLE)
- ALL OTHER LEAD STYLES: (-05 THRU -50 MULTIPLES OF 5)
- LEAD STYLES -11, -12 POS 12, 16, 17 ALSO AVAILABLE
- LEAD STYLES -21, -22, -31, -32 POS 12 AND 13 ALSO AVAILABLE

- THROUGH HOLE SURFACE MOUNT
- 01, -03 (SEE FIG 1) -02 (SEE FIG 2)
- 11, -13 (SEE FIG 1) -12 (SEE FIG 2)
- 21, -23 (SEE FIG 1) -22 (SEE FIG 2)
- 31 (SEE FIG 1) -32 (SEE FIG 2)

- PLATING SPECIFICATION
- S: 30μ" SELECTIVE GOLD ON CONTACT AREA, MATTE TIN TAIL
- L: 15μ" SELECTIVE GOLD ON CONTACT AREA, MATTE TIN TAIL
- F: 3μ" FLASH GOLD ON CONTACT AREA, MATTE TIN TAIL
- H: 30μ" SELECTIVE GOLD ON CONTACT AREA, 3μ" FLASH GOLD ON TAIL
- SM: 30μ" SELECTIVE GOLD ON CONTACT AREA, MATTE TIN TAIL
- LM: 15μ" SELECTIVE GOLD ON CONTACT AREA, MATTE TIN TAIL
- FM: 3μ" FLASH GOLD ON CONTACT AREA, MATTE TIN TAIL
- STL: 30μ" SELECTIVE GOLD ON CONTACT AREA, TIN/LEAD (90/10 ±5%) TAIL

- BODY SPECIFICATION
- D: DOUBLE ROW

- OPTION
- A: ALIGNMENT PIN (USE TFM-XX-D-XX-A, SEE TABLE 1) (SEE FIG 8, SHT 3) (NOT AVAILABLE FOR -RA OR -REX)
- LC: LOCKING CLIP (USE LC-05-TM) (NOT AVAILABLE FOR -RA OR -REX) (SEE FIG 10, SHT 3 & NOTES 3 & 11)
- P: PICK AND PLACE PAD (USE PPP-04) (AVAILABLE IN ALL POSITIONS EXCEPT -05 WITH -WT) (NOT AVAILABLE FOR -RA OR -REX, SEE FIG 7, SHT 3)
- RA: RIGHT ANGLE (AVAILABLE ONLY IN LEAD STYLE: -01 SEE FIG 5, SHT 2)
- TR: TAPE AND REEL (SEE FIG 4, SHT 5) (NOT AVAILABLE WITH -SD OPTION)
- SA: STAKED ALIGNMENT PIN (SEE FIG 9, SHT 3) (NOT AVAILABLE FOR -RA OR -RE)
- K: POLYIMIDE FILM (SEE FIG 3, SHT 2) (NOT AVAILABLE FOR -RA OR -REX)
- WT: WELD TABS (USE WT-25-XX-T) (AVAILABLE ON -01 AND -02 LEAD STYLES ONLY) (SEE FIG 6, SHT 2) (NOT AVAILABLE WITH -A, -LC, -RA, OR -SA OPTIONS)
- RE1: RIGHT ANGLE ELEVATED .062 PCB (USE TFM-XX-D-01-RE, NOT AVAILABLE WITHOUT -WT, AVAILABLE IN LEAD STYLE -01 ONLY, -03 THRU -50 POS) (SEE FIG 11, SHT 4)
- RE2: RIGHT ANGLE ELEVATED .093 PCB (USE TFM-XX-D-01-RE, NOT AVAILABLE WITHOUT -WT, AVAILABLE IN LEAD STYLE -01 ONLY, -03 THRU -50 POS) (SEE FIG 11, SHEET 4)
- SN: SOLDER NAIL FOR .062 BOARD (TFM-XX-D-01-SN AND WT-27-01-T) (SEE FIG 12, SHT 3) (ONLY AVAILABLE WITH -02 LEAD STYLE) (NOT AVAILABLE WITH OPTIONS -A, -LC, -RA, -SA, -WT, -RE1 OR -RE2)
- SN2: SOLDER NAIL FOR .093 BOARD (TFM-XX-D-01-SN AND WT-27-02-T) (SEE FIG 12, SHT 3) (ONLY AVAILABLE WITH -02 LEAD STYLE) (NOT AVAILABLE WITH OPTIONS -A, -LC, -RA, -SA, -WT, -RE1 OR -RE2)
- **SD: SCREW DOWN FOR .062 BOARD (ONLY AVAILABLE WITH -01 & -02 LEAD STYLE) (NOT AVAILABLE WITH OPTIONS -RA, -SA, -WT, -RE1, -RE2, -SN, SN2, OR -LC (T1-XX-X-XXXX-X & TFM-XX-D-01-SDA) (SEE FIG 17, SHT 5)
- (** = NOT RELEASED FOR PRODUCTION)

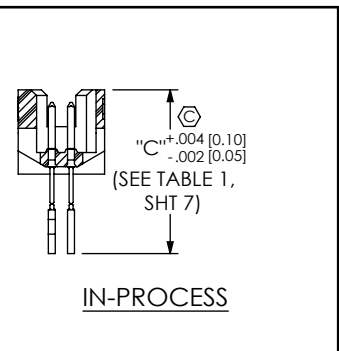
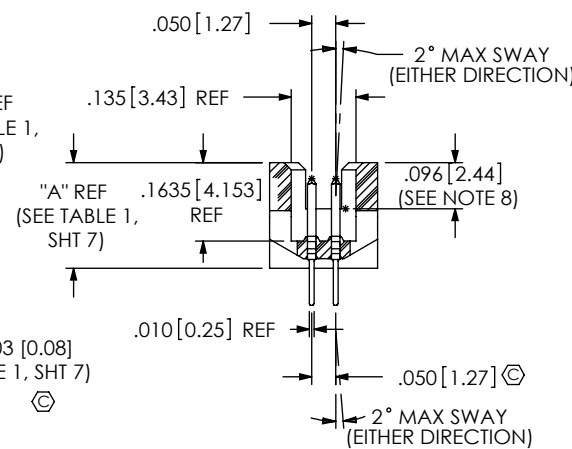
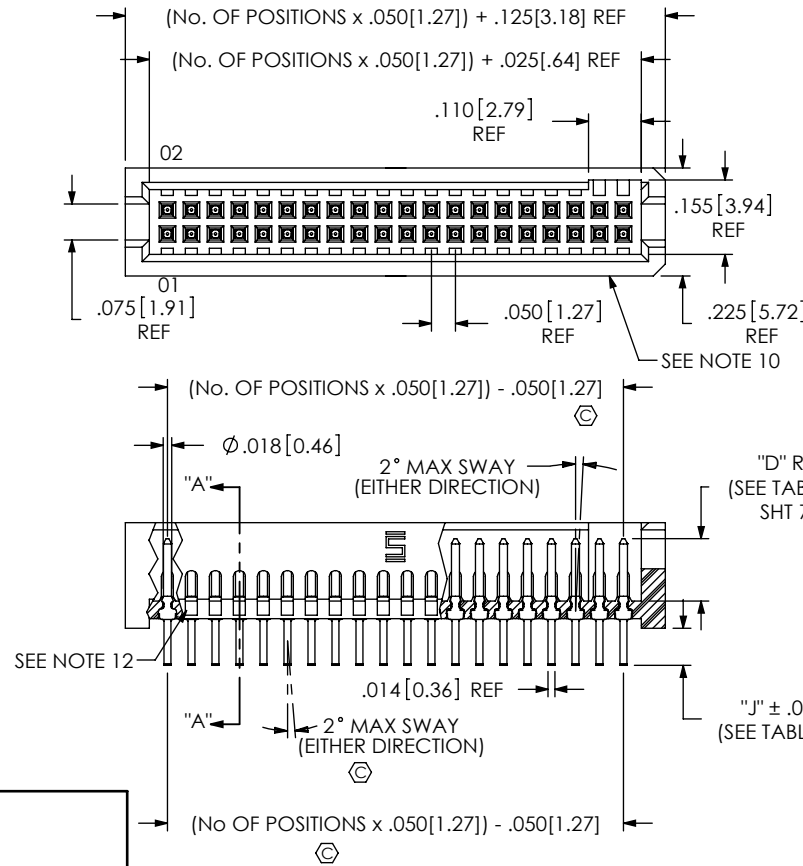


FIG 1 THROUGH HOLE -01, -03, -11, -13, -21, -23, -31

UNLESS OTHERWISE SPECIFIED, DIMENSIONS ARE IN INCHES. TOLERANCES ARE:

DECIMALS	ANGLES
.XX: ±.01 [.3]	2°
.XXX: ±.005 [.13]	
.XXXX: ±.0020 [.051]	

PROPRIETARY NOTE

THIS DOCUMENT CONTAINS INFORMATION CONFIDENTIAL AND PROPRIETARY TO SAMTEC, INC. AND SHALL NOT BE REPRODUCED OR TRANSFERRED TO OTHER DOCUMENTS OR DISCLOSED TO OTHERS OR USED FOR ANY PURPOSE OTHER THAN THAT WHICH IT WAS OBTAINED WITHOUT THE EXPRESSED WRITTEN CONSENT OF SAMTEC, INC.



520 PARK EAST BLVD. NEW ALBANY, IN 47150
PHONE: 812-944-6733 FAX: 812-948-5047
e-Mail: info@SAMTEC.com code 55322

MATERIAL: DO NOT SCALE DRAWING SHEET SCALE: 2.5:1

INSULATOR: LCP, UL 94-VO COLOR: BLACK

TERMINAL: PHOSPHOR BRONZE

DESCRIPTION: .050 X .050 TERMINAL STRIP

DWG. NO. TFM-1XX-XX-XXX-X-XXX

BY: B RAY 7-10-2007 SHEET 1 OF 7

REVISION EE

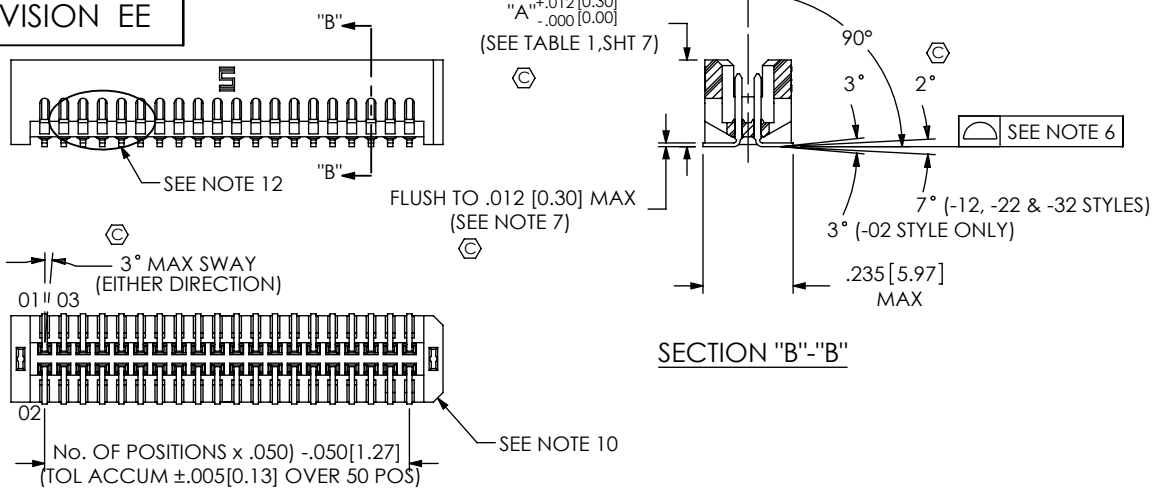


FIG 2
SURFACE MOUNT
-02, -12, -22, -32
DIFFERENT AS SHOWN, OTHERWISE SAME AS FIG 1

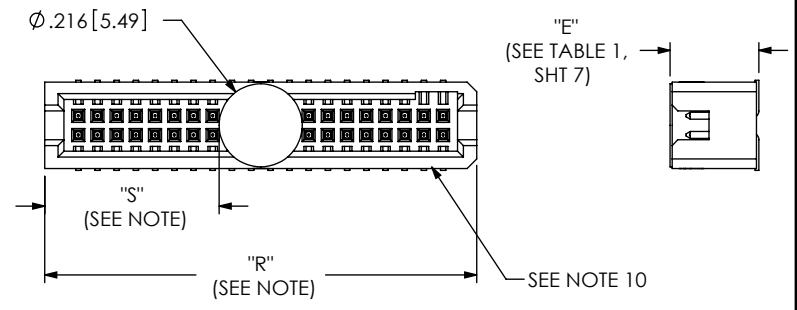


FIG 3
-K: POLYIMIDE FILM PAD

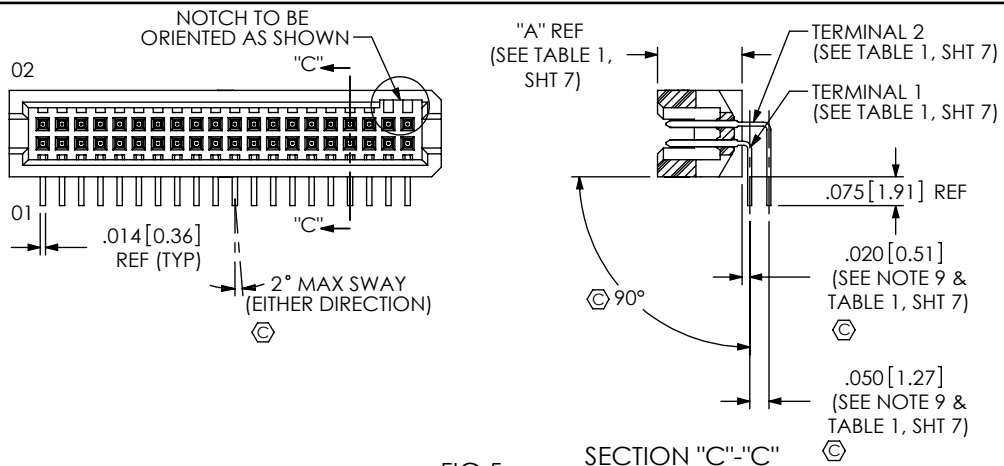


FIG 5
-RA OPTION
DIFFERENT AS SHOWN, OTHERWISE SAME AS FIG 1

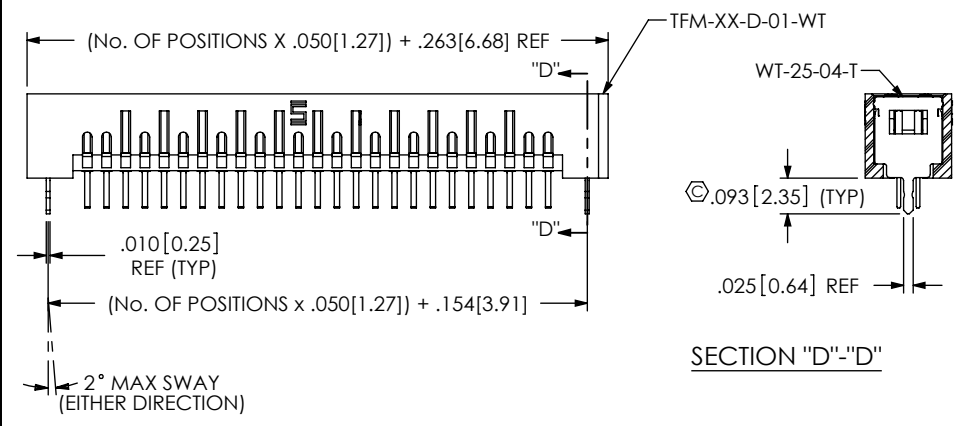
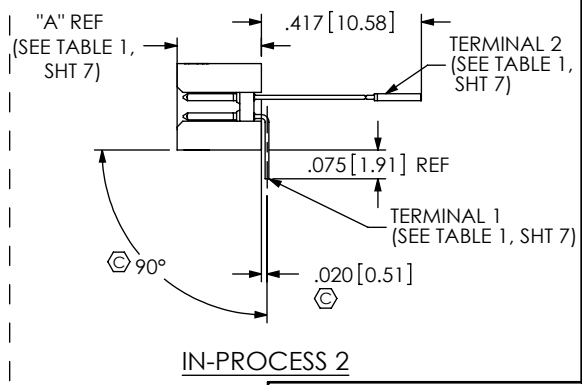
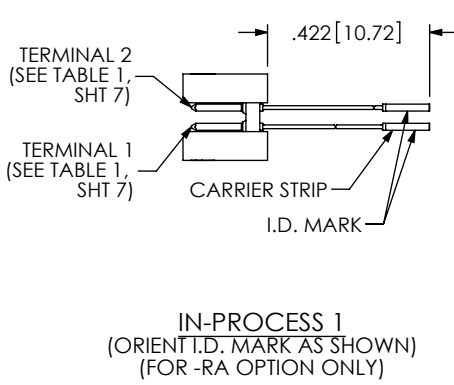
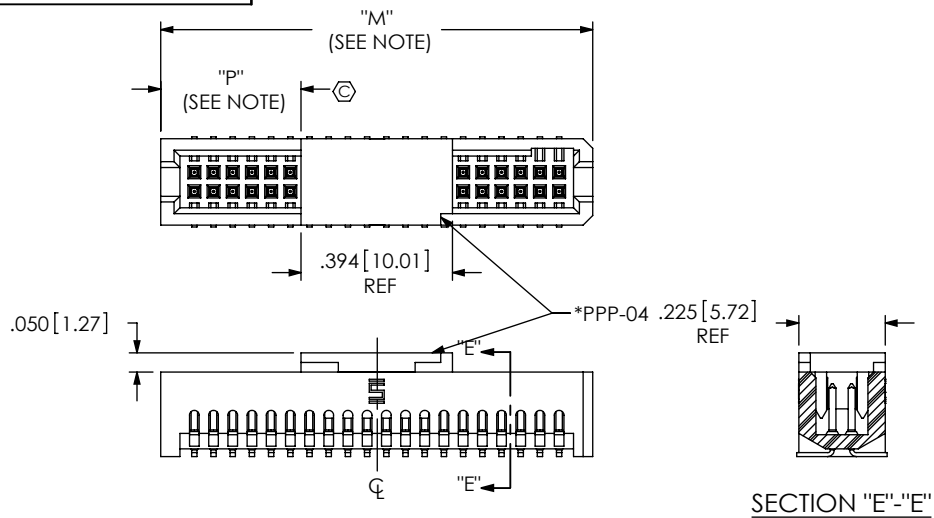


FIG 6
-WT OPTION
DIFFERENT AS SHOWN, OTHERWISE SAME AS FIG 1



<p>PROPRIETARY NOTE THIS DOCUMENT CONTAINS INFORMATION CONFIDENTIAL AND PROPRIETARY TO SAMTEC, INC. AND SHALL NOT BE REPRODUCED OR TRANSFERRED TO OTHER DOCUMENTS OR DISCLOSED TO OTHERS OR USED FOR ANY PURPOSE OTHER THAN THAT WHICH IT WAS OBTAINED WITHOUT THE EXPRESSED WRITTEN CONSENT OF SAMTEC, INC.</p> <p>DO NOT SCALE DRAWING</p> <p>SHEET SCALE: 2:1</p>		
	<p>520 PARK EAST BLVD., NEW ALBANY, IN 47150 PHONE: 812-944-6733 FAX: 812-948-5047 e-Mail: info@SAMTEC.com code 55322</p>	
	<p>DESCRIPTION: .050 X .050 TERMINAL STRIP</p>	
	<p>DWG. NO. TFM-1XX-XX-XXX-X-XXX</p>	
<p>BY: B RAY 7-10-2007</p>		<p>SHEET 2 OF 7</p>



NOTE: "M" = (No. OF POSITIONS X .050[1.27]) + .125[3.18] (REF)
 WITH -WT "M" = (No. OF POSITIONS X .050[1.27]) + .263[6.68] (REF)
 "P" = {("M" - .394[10.01]) / 2} ±.020[.51]

* NOTCH ON PAD TO BE ON SAME END AS THE NOTCH IN THE TFM BODY

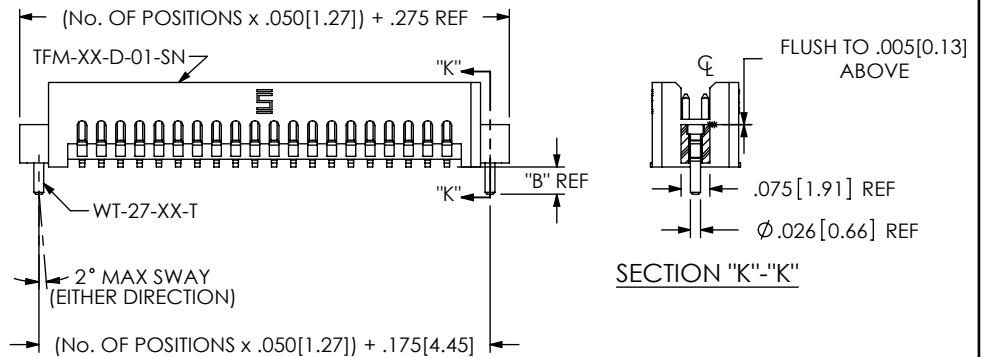
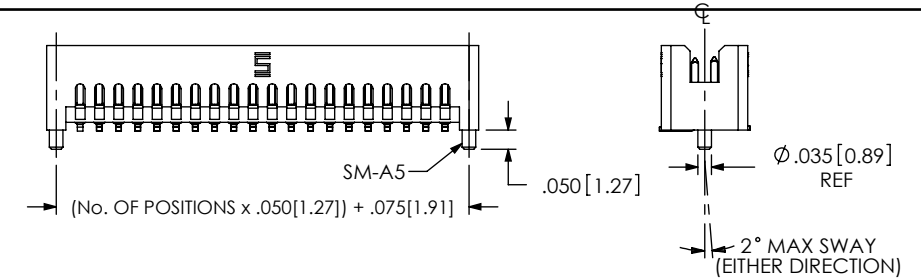
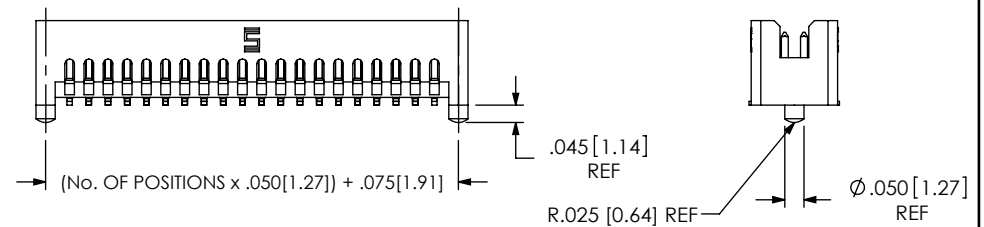
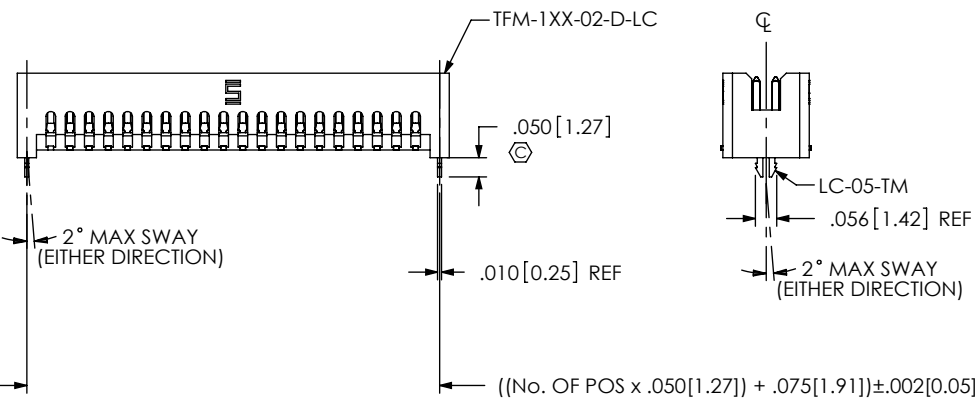


TABLE 4	
OPTION	"B"
-SN	.071 1.80
-SN2	.106 2.69

PROPRIETARY NOTE
 THIS DOCUMENT CONTAINS INFORMATION CONFIDENTIAL AND PROPRIETARY TO SAMTEC, INC. AND SHALL NOT BE REPRODUCED OR TRANSFERRED TO OTHER DOCUMENTS OR DISCLOSED TO OTHERS OR USED FOR ANY PURPOSE OTHER THAN THAT WHICH IT WAS OBTAINED WITHOUT THE EXPRESSED WRITTEN CONSENT OF SAMTEC, INC.

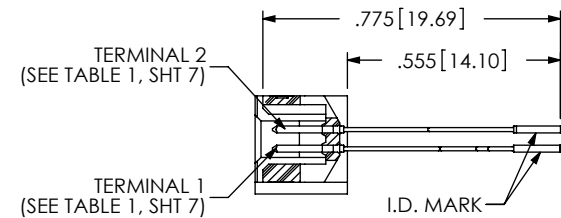
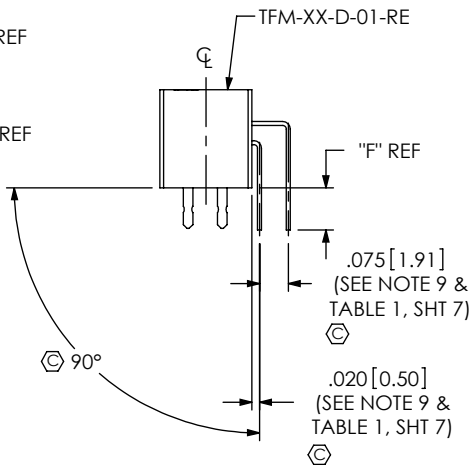
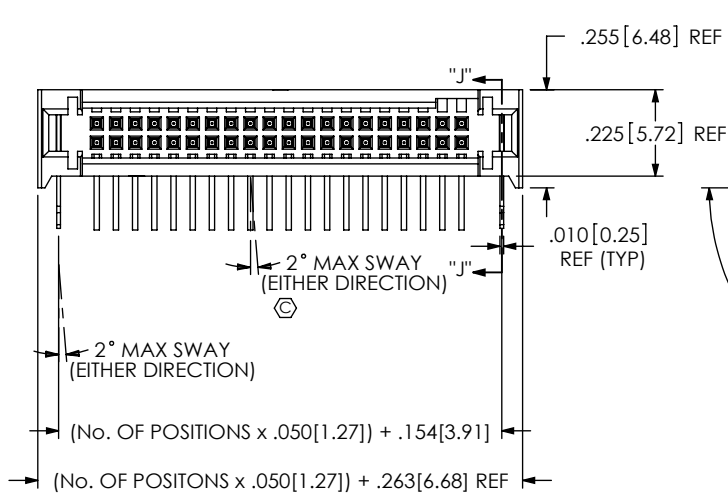
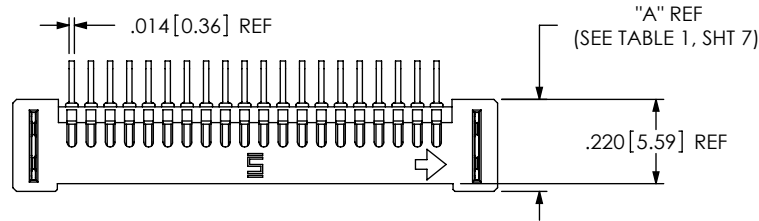
DO NOT SCALE DRAWING

SHEET SCALE: 2:1

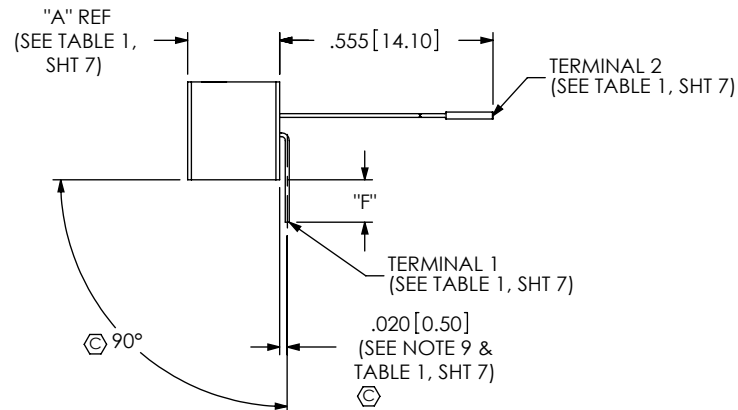


520 PARK EAST BLVD, NEW ALBANY, IN 47150
 PHONE: 812-944-6733 FAX: 812-948-5047
 e-Mail: info@SAMTEC.com code 55322

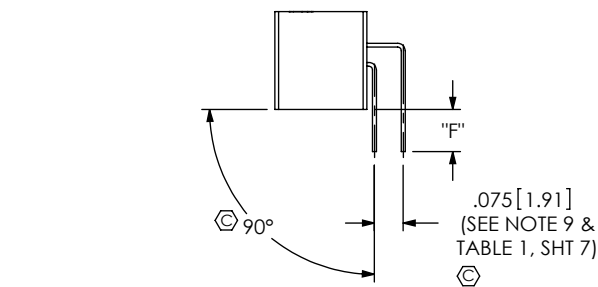
DESCRIPTION: .050 X .050 TERMINAL STRIP
 DWG. NO. TFM-1XX-XX-XXX-X-XXX
 BY: B RAY 7-10-2007 SHEET 3 OF 7



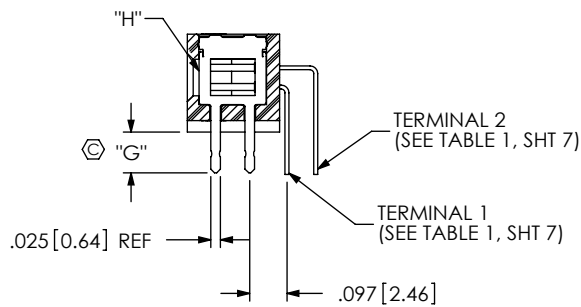
IN-PROCESS 1
(ORIENT I.D. MARK AS SHOWN)
(FOR -RA OPTION ONLY)



IN-PROCESS 2



IN-PROCESS 3



SECTION "J"-"J"

TABLE 3			
LEAD STYLE	"F"	"G"	"H"
-01-RE1	.078 [1.98]	.074 [1.88]	WT-25-05-T
-01-RE2	.110 [2.79]	.106 [2.69]	WT-25-06-T

FIG 11
-REX: RIGHT ANGLE ELEVATED
TFM-120-XX-XXX-D-RE2 SHOWN
DIFFERENT AS SHOWN, OTHERWISE SAME AS FIG 1

PROPRIETARY NOTE
THIS DOCUMENT CONTAINS INFORMATION
CONFIDENTIAL AND PROPRIETARY TO
SAMTEC, INC. AND SHALL NOT BE REPRODUCED OR
DISCLOSED TO OTHERS OR USED FOR ANY
PURPOSE OTHER THAN THAT WHICH IT WAS
OBTAINED WITHOUT THE EXPRESSED WRITTEN
CONSENT OF SAMTEC, INC.

DO NOT SCALE DRAWING

SHEET SCALE: 2:1



520 PARK EAST BLVD., NEW ALBANY, IN 47150
PHONE: 812-944-6733 FAX: 812-948-5047
e-Mail: info@SAMTEC.com code 55322

DESCRIPTION:
.050 X .050 TERMINAL STRIP

DWG. NO.
TFM-1XX-XX-XXX-X-XXX

BY: B RAY 7-10-2007 SHEET 4 OF 7

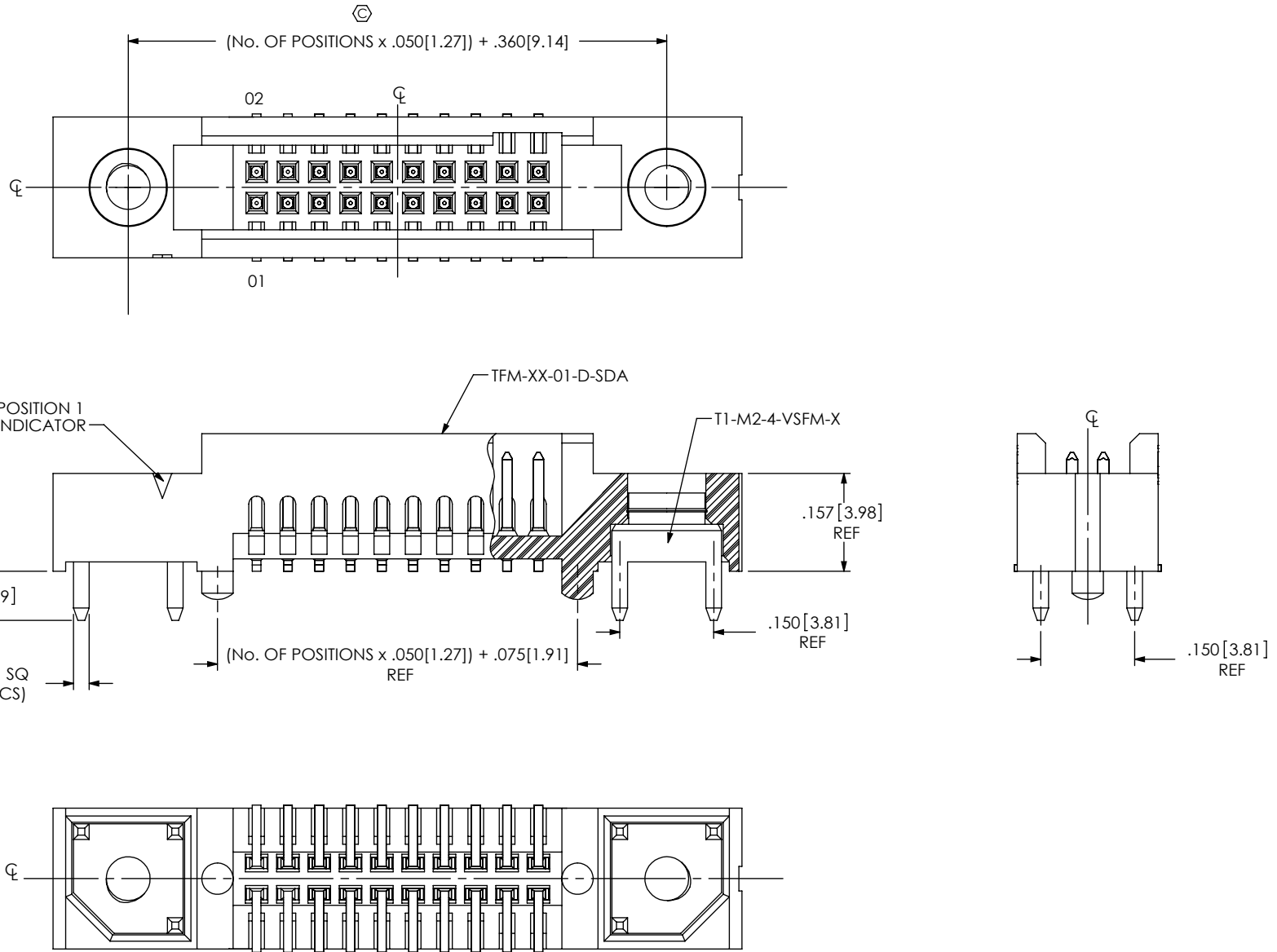



FIG 17
 -SD: SCREW DOWN
 TFM-110-02-XXX-D-SD SHOWN
 DIFFERENT AS SHOWN, OTHERWISE SAME AS FIG 1
 (NOT RELEASED FOR PRODUCTION)

<p>PROPRIETARY NOTE THIS DOCUMENT CONTAINS INFORMATION CONFIDENTIAL AND PROPRIETARY TO SAMTEC, INC. AND SHALL NOT BE REPRODUCED OR TRANSFERRED TO OTHER DOCUMENTS OR DISCLOSED TO OTHERS OR USED FOR ANY PURPOSE OTHER THAN THAT WHICH IT WAS OBTAINED WITHOUT THE EXPRESSED WRITTEN CONSENT OF SAMTEC, INC.</p>		
	<p>520 PARK EAST BLVD, NEW ALBANY, IN 47150 PHONE: 812-944-6733 FAX: 812-948-5047 e-Mail info@SAMTEC.com code 55322</p>	
<p>DO NOT SCALE DRAWING</p>	<p>DESCRIPTION: .050 X .050 TERMINAL STRIP</p>	
<p>SHEET SCALE: 2:1</p>	<p>DWG. NO. TFM-1XX-XX-XXX-X-XXX</p>	
	<p>BY: B RAY</p>	<p>7-10-2007</p>
		<p>SHEET 5 OF 7</p>

PARTS TO BE PACKAGED IN TUBES AS SHOWN

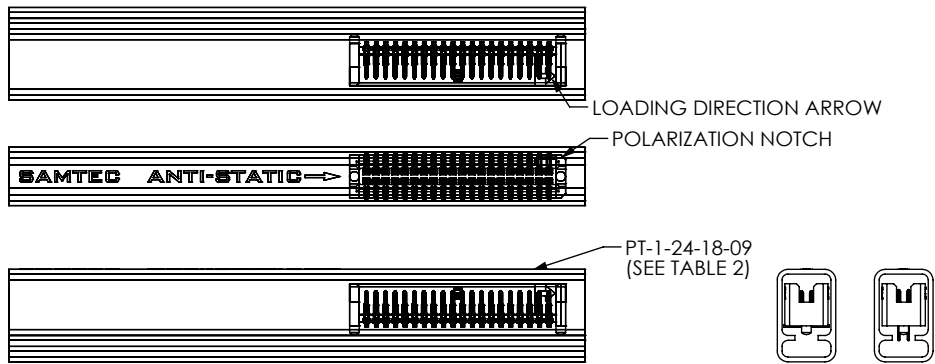


FIG 13
PT-T-24-18-09

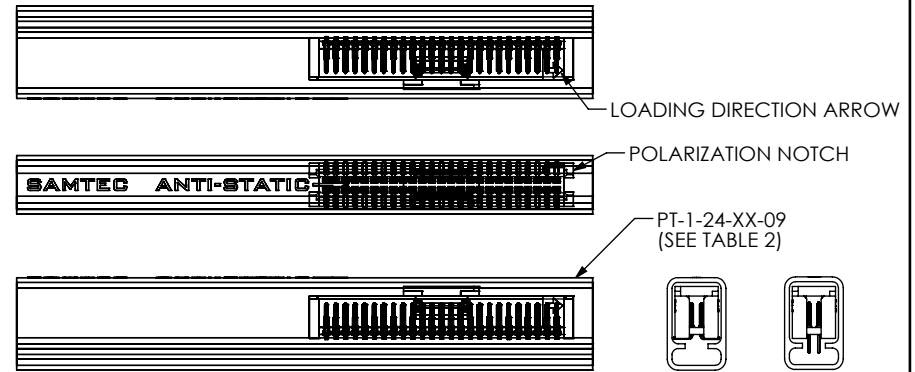


FIG 14
PT-T-24-XX-09

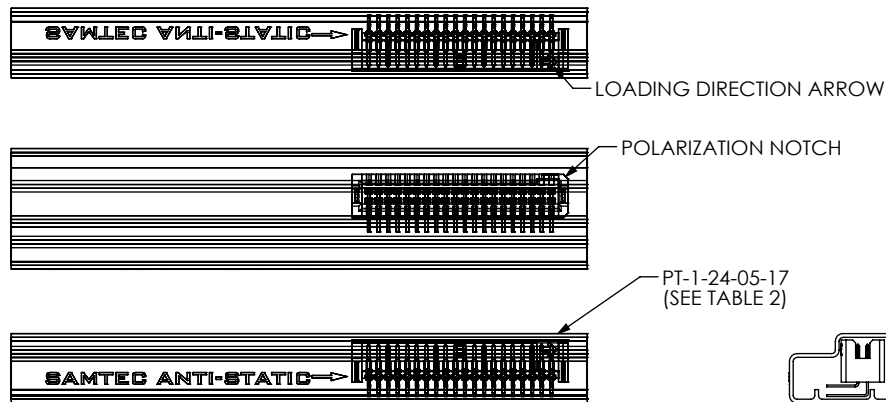


FIG 15
PT-T-24-05-17

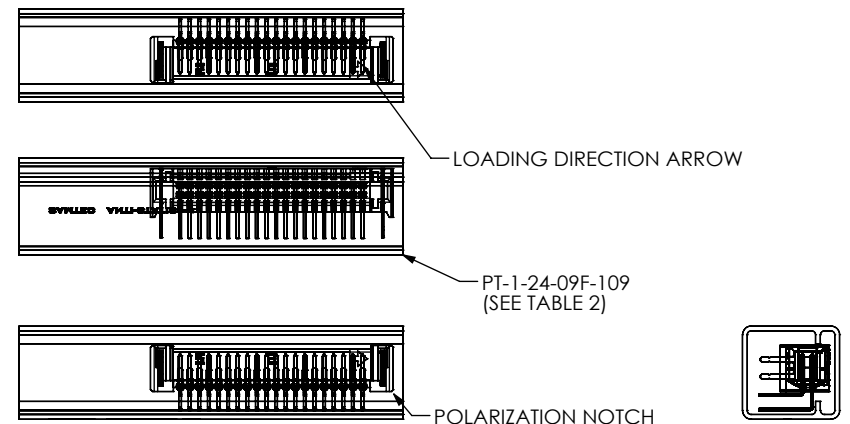


FIG 16
PT-T-24-09F-109

TABLE 2

LEAD STYLE	PACKAGING TUBE	PLUG
-RA (ALL LEAD STYLES)	PT-1-24-5-17	TP-07
-REX	PT-1-24-09F-109	TP-29
-02, -02-A, -02-A-K, -02-LC	PT-1-24-01-09	TP-24
-12 (ALL OPTIONS), -22-K, -22, -22-A, -22-A-K, -22-LC, -22-LC-K	PT-1-24-04-09	TP-07
-02-A-P, -02-K, -02-LC-K, -02-LC-P, -02-P, -02-WT, -02-WT-K		
-01 (ALL OPTIONS), -11, -11-A, -11-LC, -11-K, -11-LC-K, -11-A-K		
-03 (ALL OPTIONS)	PT-1-24-18-09	TP-09
-13, -13-A, -13-LC, -13-K, -13-LC-K, -13-A-K		
-01-SD, -02-SD		
-31-A-K, -31-A-P, -31-LC-P, -31-P, -32, -32-K, -32-A, -32-A-K,	PT-1-24-02-09	TP-07
-32-A-P, -32-LC-K, -32-LC-P, -32-P, -32-LC		
-31, -21-P, -22-P, -31-LC, -21-A-P, -21-LC-P, -22-LC-P, -22-A-P, -31-A,	PT-1-24-05-09	TP-07
-13-P, -13-LC-P, -13-A-P, -21, -23, -23-P, -23-A-P,		
-11-P, -11-LC-P, -11-A-P, -21-K, -21-A, -21-LC, -21-A-K, -21-LC-K,	PT-1-24-20-09	TP-07
-23-K, -23-A, -23-A-K, -23-LC, -23-LC-K		

NOTE:
PARTS TO BE PACKAGED WITH THE LOADING DIRECTION ARROW POINTED IN SAME DIRECTION AS THE ARROW ON TUBE.

PROPRIETARY NOTE
THIS DOCUMENT CONTAINS INFORMATION CONFIDENTIAL AND PROPRIETARY TO SAMTEC, INC. AND SHALL NOT BE REPRODUCED OR TRANSFERRED TO OTHER DOCUMENTS OR DISCLOSED TO OTHERS OR USED FOR ANY PURPOSE OTHER THAN THAT WHICH IT WAS OBTAINED WITHOUT THE EXPRESSED WRITTEN CONSENT OF SAMTEC, INC.

DO NOT SCALE DRAWING

SHEET SCALE: 2:1



520 PARK EAST BLVD, NEW ALBANY, IN 47150
PHONE: 812-944-6733 FAX: 812-948-5047
e-Mail: info@SAMTEC.com code 55322

DESCRIPTION:
.050 X .050 TERMINAL STRIP

DWG. NO.
TFM-1XX-XX-XXX-X-XXX

BY: B RAY 7-10-2007 SHEET 6 OF 7

TABLE 1								
LEAD STYLE	BODY	"A"	TERMINAL 1	TERMINAL 2	"C"	"D"	"E"	"J"
-01	TFM-XX-D-01-XX	.2200 [5.588]	T-1R16-01-XX-2	N/A	0.427 [10.85]	0.133 [3.38]	0.230 [5.84]	0.078 [1.97]
-11	TFM-XX-D-02-XX	.2900 [7.366]	T-1R20-03-XX	N/A	0.644 [16.36]	0.141 [3.58]	0.300 [7.62]	0.078 [1.97]
-21	TFM-XX-D-03-XX	.3600 [9.144]	T-1R20-04-XX	N/A	0.644 [16.36]	0.141 [3.58]	0.370 [9.40]	0.078 [1.97]
-31	TFM-XX-D-04-XX	.4350 [11.049]	T-1R20-02-XX	N/A	0.644 [16.36]	0.141 [3.58]	0.445 [11.30]	0.078 [1.97]
-02	TFM-XX-D-01-XX	.2200 [5.588]	T-1R16-01-XX-2	N/A	0.427 [10.85]	0.133 [3.38]	0.230 [5.84]	N/A
-12	TFM-XX-D-02-XX	.2900 [7.366]	T-1R20-03-XX	N/A	0.644 [16.36]	0.141 [3.58]	0.300 [7.62]	N/A
-22	TFM-XX-D-03-XX	.3600 [9.144]	T-1R20-04-XX	N/A	0.644 [16.36]	0.141 [3.58]	0.370 [9.40]	N/A
-32	TFM-XX-D-04-XX	.4350 [11.049]	T-1R20-02-XX	N/A	0.644 [16.36]	0.141 [3.58]	0.445 [11.30]	N/A
-01-RA	TFM-XX-D-01-XX	.2200 [5.588]	T-1R16-02-XX	T-1R16-03-XX	N/A	0.133 [3.38]	0.230 [5.84]	N/A
-01-RE1	TFM-XX-D-01-RE	.2400 [6.096]	T-1R16-06-XX	T-1R16-07-XX	N/A	0.138 [3.51]	N/A	N/A
-01-RE2	TFM-XX-D-01-RE	.2400 [6.096]	T-1R16-08-XX	T-1R16-09-XX	N/A	0.138 [3.51]	N/A	N/A
-03	TFM-XX-D-01-XX	.2200 [5.588]	T-1R16-10-XX	N/A	0.644 [16.36]	0.141 [3.58]	0.230 [5.84]	0.109 [2.77]
-13	TFM-XX-D-02-XX	.2900 [7.366]	T-1R20-05-XX	N/A	0.644 [16.36]	0.141 [3.58]	0.300 [7.62]	0.109 [2.77]
-23	TFM-XX-D-03-XX	.3600 [9.144]	T-1R20-06-XX	N/A	0.644 [16.36]	0.141 [3.58]	0.370 [9.40]	0.109 [2.77]

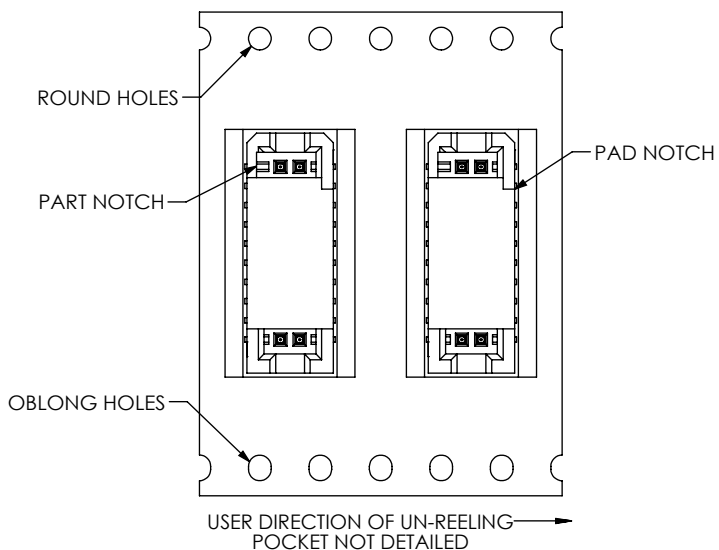


FIGURE 4
-TR: TAPE AND REEL

PROPRIETARY NOTE
THIS DOCUMENT CONTAINS INFORMATION CONFIDENTIAL AND PROPRIETARY TO SAMTEC, INC. AND SHALL NOT BE REPRODUCED OR TRANSFERRED TO OTHER DOCUMENTS OR DISCLOSED TO OTHERS OR USED FOR ANY PURPOSE OTHER THAN THAT WHICH IT WAS OBTAINED WITHOUT THE EXPRESSED WRITTEN CONSENT OF SAMTEC, INC.

DO NOT SCALE DRAWING
SHEET SCALE: 2:1



520 PARK EAST BLVD, NEW ALBANY, IN 47150
PHONE: 812-944-6733 FAX: 812-948-5047
e-Mail: info@SAMTEC.com code 55322

DESCRIPTION:
.050 X .050 TERMINAL STRIP

DWG. NO.
TFM-1XX-XX-XXX-X-XXX

BY: B RAY 7-10-2007 SHEET 7 OF 7