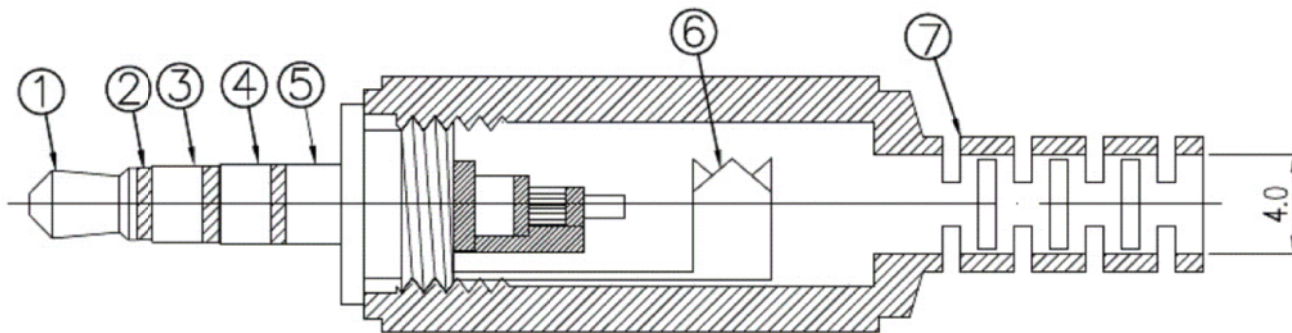
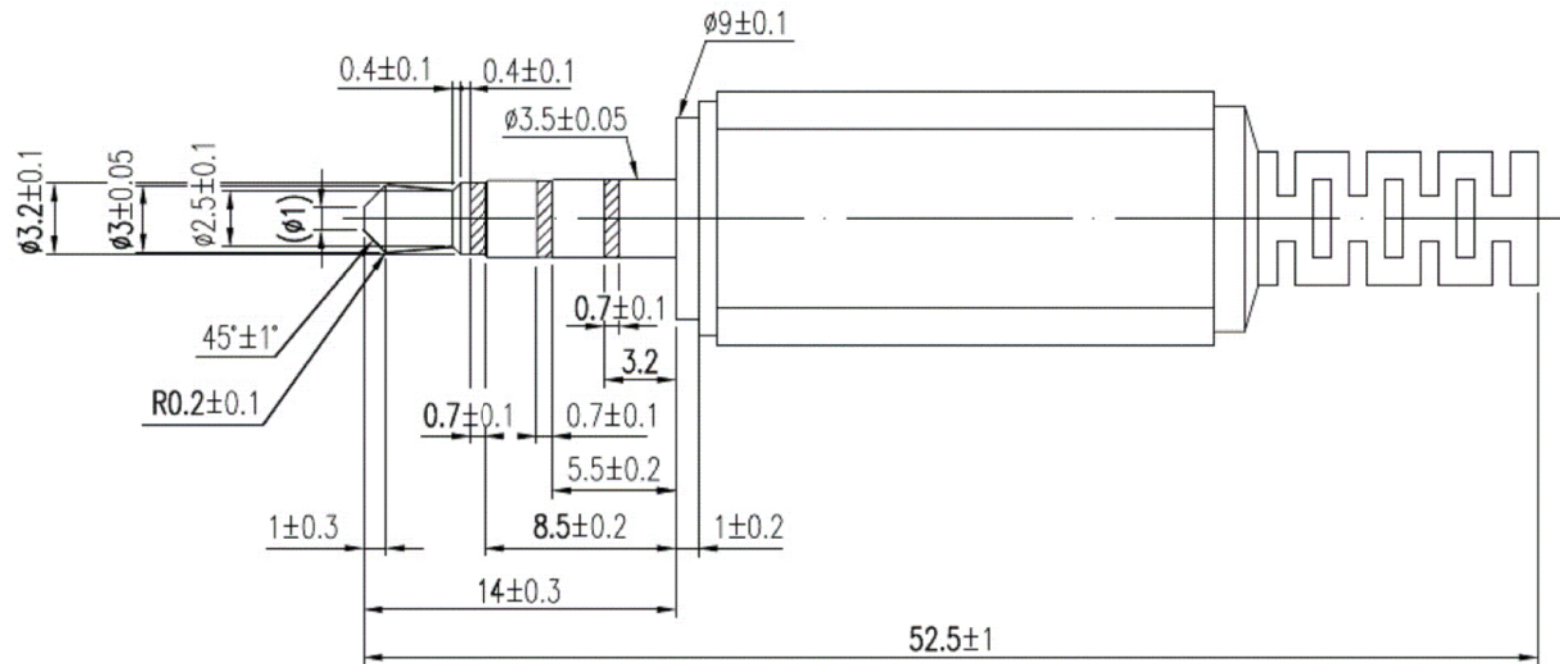


ISS.	AMEND	DATE
1	ISSUED	29/01/13



ITEM	MATERIAL	FINISH
1	BRASS	NICKEL PLATE 1µm
2	POM	BLACK
3	BRASS	NICKEL PLATE 1µm
4	BRASS	NICKEL PLATE 1µm
5	BRASS	NICKEL PLATE 1µm
6	BRASS	NICKEL PLATE 1µm
7	TPR	BLACK

RoHS
COMPLIANT

TOLERANCE
 NO DEC. PLACE ±
 1 DEC. PLACE ±
 2 DEC. PLACE ±
 HOLE Ø ±
 ANGLES ±
 UNLESS OTHERWISE STATED

Cliff Electronic Components Ltd.

76 Holmehorpe Avenue, Holmehorpe Industrial Estate,
Redhill, Surrey, RH1 2PF, England, UK

Tel: 01737-771375 Fax: 01737-766012 Website: www.cliffuk.co.uk

THE CONTENTS OF THIS DOCUMENT MUST NOT BE COPIED OR DISCLOSED TO A 3rd PARTY WITHOUT WRITTEN PERMISSION OF CLIFF UK. © 2013

DIMENSIONS IN MILLIMETERS UNLESS OTHERWISE STATED. WORK TO DIMENSIONS. REMOVE ALL BURRS. IF IN DOUBT ASK.

3rd ANGLE PROJECTION:

DO NOT SCALE

MATERIAL: SEE TABLE

FINISH: CLEAN

DRAWN: T.J.O.

APPROVED: D.P.J.

TITLE: 4 POLE JACK PLUG (Ø3.5mm x 14mm)

DRWG. No. **FC68124**

FORM: A4DRWGH