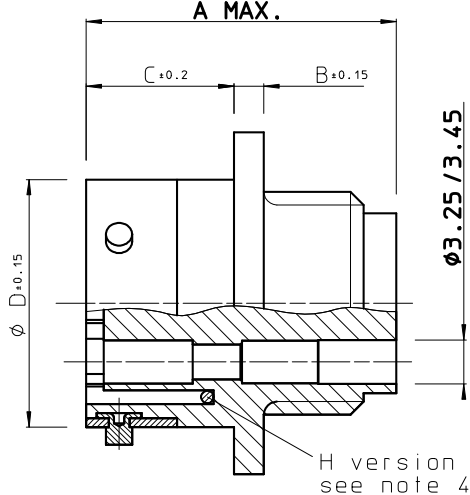
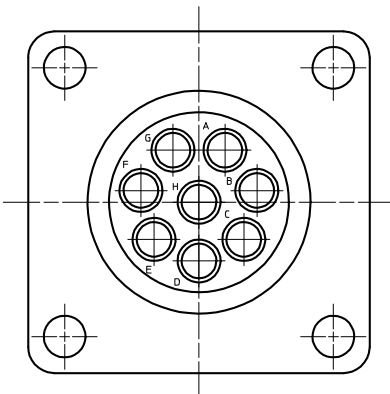


DIT IS ONZE EIGENDOM EN MAG NOCH NAGEMAAKT. HERDRUKT, OVERGEMAAKT AAN DERDEN, NOCH VOOR FABRIKATIE GEBRUIKT WORDEN, ZONDER ONZE SCHRIFTELIJKE TOELATING. BIJ NIET GEBRUIK IS DE TERUGZENDING VERPLICHT.

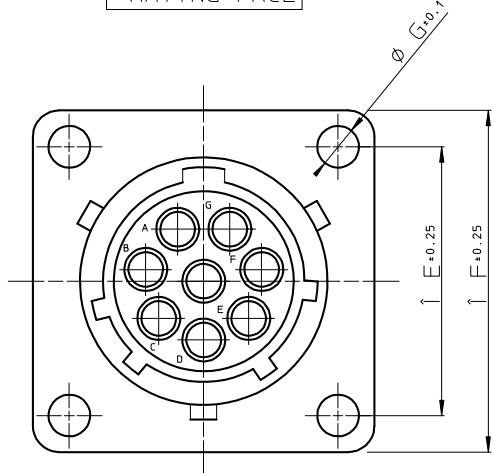
THIS IS OUR EXCLUSIVE PROPERTY. IT IS NOT TO BE COPIED, REPRINTED OR DISCLOSED TO A THIRD PARTY, NOR USED FOR MANUFACTURING WITHOUT OUR WRITTEN CONSENT, AND HAS TO BE RETURNED TO US IN CASE OF NO USAGE

REV.	DATE	DESCRIPTION	BY	C'K'D'
02	170394	CONVERSION ME10	J. G.	
03	10/03/99	Temperature range -55C instead of -25C	K.N.	
04	27/09/07	ADD MATERIAL OF O-SEAL FOR "H" VERSION	R Ch	
05	21/01/10	ADD (H) VERSION IN THE TABLE	R Ch	

WIRING FACE



MATING FACE



CAT. NUMBER	A MAX.	B±0.15	C+0.2	Ø D±0.15	E±0.25	F±0.25	Ø G±0.1	Ø H±0.1	Ø J±0.1
UTG0104S(H)	24.3	2.3	11.3	15.0	18.3	23.8	3.2	17.3	15.1
UTG0125S(H)	24.3	2.3	11.3	19.0	20.6	26.2	3.2	21.8	18.2
UTG0128S(H)	24.3	2.3	11.3	19.0	20.6	26.2	3.2	21.8	18.2
UTG01412S(H)	24.3	2.3	11.3	22.2	23.0	28.6	3.2	25.0	21.4
UTG01619S(H)	24.3	2.3	11.3	25.3	24.6	31.0	3.2	28.1	24.6
UTG01823S(H)	24.3	2.5	11.3	28.5	26.9	33.1	3.2	31.3	27.8
UTG02028S(H)	27.0	2.5	14.5	31.7	29.4	36.5	3.2	34.5	30.9
UTG02235S(H)	28.0	3.5	14.5	34.9	31.6	39.3	3.2	37.7	34.1
UTG02448S(H)	30.4	3.5	15.3	38.0	34.9	42.9	3.9	40.9	37.3
* NOTE 4									

UTG0128S AS SHOWN

MATERIAL

- BODY : GLASS-FILLED POLYESTER UL94-V0
COLOUR : BLACK.
- TRILOK RING : HIGH STRENGTH CuZn ALLOY,
NICKEL PLATED.
- O-SEAL : NBR

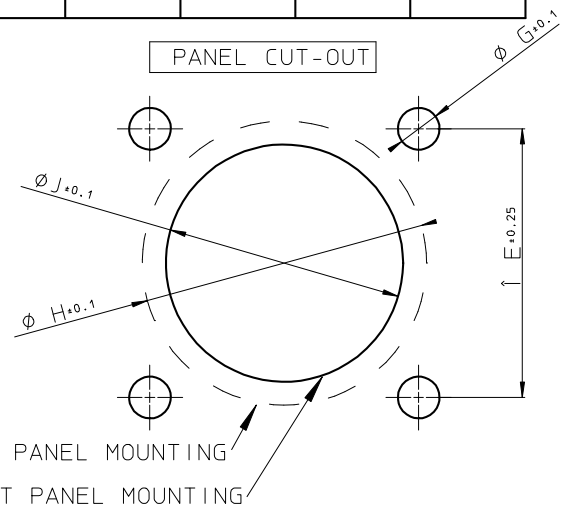
PERFORMANCE CHARACTERISTICS

- OPERATING TEMPERATURE : -55 °C TO +125 °C.
- INSULATION RESISTANCE : 5000 M Ohm MIN.
- TEST POTENTIAL : 2000 V EFF.

NOTES

- 1.CONNECTOR ACCEPTS # 16 STRIP FORMED, MACHINED AND SUBMINIATURE COAXIAL PIN AND SOCKET CONTACTS.
- 2.CONTACTS TO BE ORDERED SEPARATELY : REFER TO TRIM - TRIO CATALOG.
- 3.FOR OTHER INSERT ARRANGEMENTS SEE BS,C ,201458,000
- 4.FOR WATERPROTECTED VERSION: ADD "H" TO THE CAT.NO. E.G. CAT.NO.: UTG0128SH


PANEL CUT-OUT



05

BS, A , 201458 , 002

GEN. ST.	01	02	03	04	05	06	07	08	0D	50	60	70	80	90																	
INT. ST.	10	11	12	13	14	18	20	31	32	33	34	38	39	40	42	43	44	45	46	48	56	70	72	73	75	76	81	82	83	84	88

1DEC ±0,2 1DEC 2DEC ±0,1 2DEC ANGLES ±1° HOEKEN	APPR.	DATE	SIGN.	FEMALE RECEPTACLE		
	DRAFT	7-6-91	M BUEDS	CAT. No. UTG----S(H)		
WE RESERVE THE RIGHT TO CHANGE DIMENSIONS OR REQUIREMENTS WITHOUT PRIOR NOTICE.	PROD. MGR.			 SOURIAU Route Nationale 23 72470 CHAMPAGNE	SCALE	
	PR.ENG. MGR.					
ALL DIMENSIONS IN MM	PR.MGT.MGR.			BS, A , 201458 , 002 DRAWING NR. CUSTOMER DRAWING REVISION		
ALLE AFMETINGEN IN MM	REFERENCES / REFERENTIES					