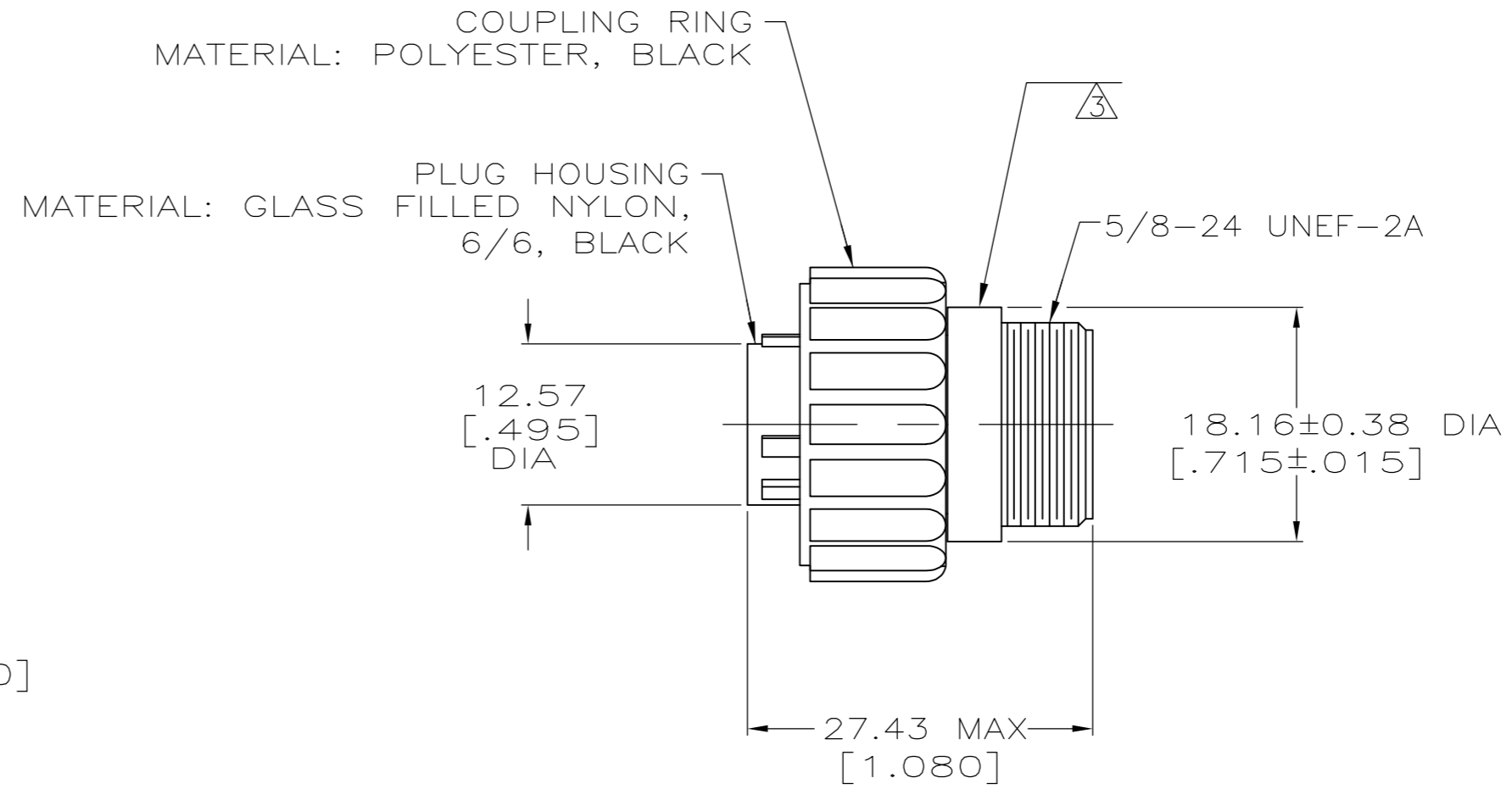
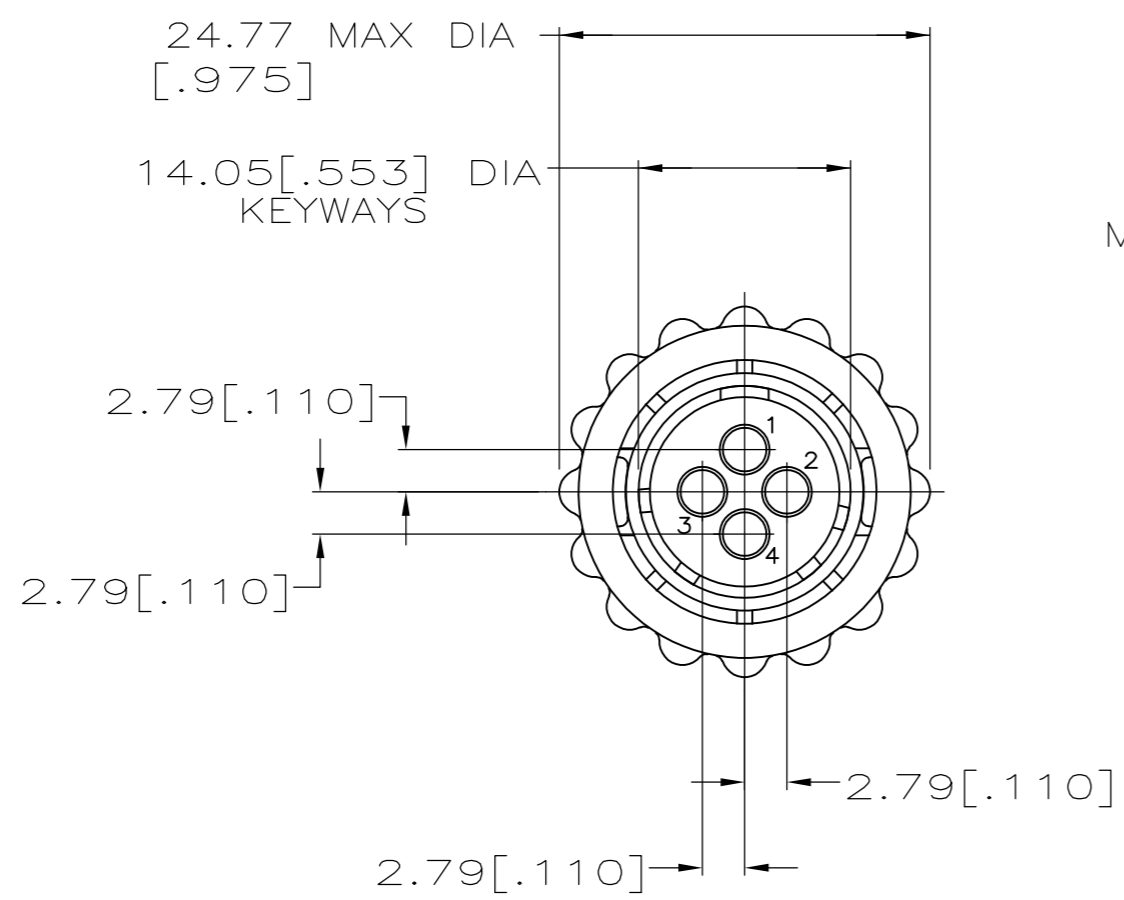


THIS DRAWING IS UNPUBLISHED. RELEASED FOR PUBLICATION
 © COPYRIGHT - By - ALL RIGHTS RESERVED.

LOC	DIST	REVISIONS			
P	LTR	DESCRIPTION	DATE	DWN	APVD
FT	4	H1	REVISED PER ECO-11-004587	11MAR11	RK HMR



NOTES:

1. CAVITY IDENTIFICATION ON FRONT AND REAR FACE.
2. WILL ACCEPT FOUR (4) MULTIMATE CONTACTS.

MOLDED PART NUMBER THIS SURFACE. PART NUMBER MAY ALSO APPEAR ON COUPLING RING MATING FACE.

SMALL PACK	206060-2
STANDARD	206060-1
PACKAGING	PART NO.

THIS DRAWING IS A CONTROLLED DOCUMENT.		DWN	D.GELTZ	07/26/93	TE Connectivity PLUG ASSEMBLY, STANDARD SEX, SERIES 1, 11-4, CPC			
DIMENSIONS:		CHK	R.STONE	08/11/93				
mm	TOLERANCES UNLESS OTHERWISE SPECIFIED:	APVD	-	-				
	0 PLC ± - 1 PLC ± - 2 PLC ± 0.13 [.005] 3 PLC ± - 4 PLC ± - ANGLES ± -	PRODUCT SPEC	108-10024	APPLICATION SPEC				
MATERIAL	SEE	WEIGHT	-	SCALE	SIZE	CAGE CODE	DRAWING NO	RESTRICTED TO
				CUSTOMER DRAWING	A2	00779	C=206060	-
					SCALE	2:1	SHEET	1 OF 1
							REV	H1