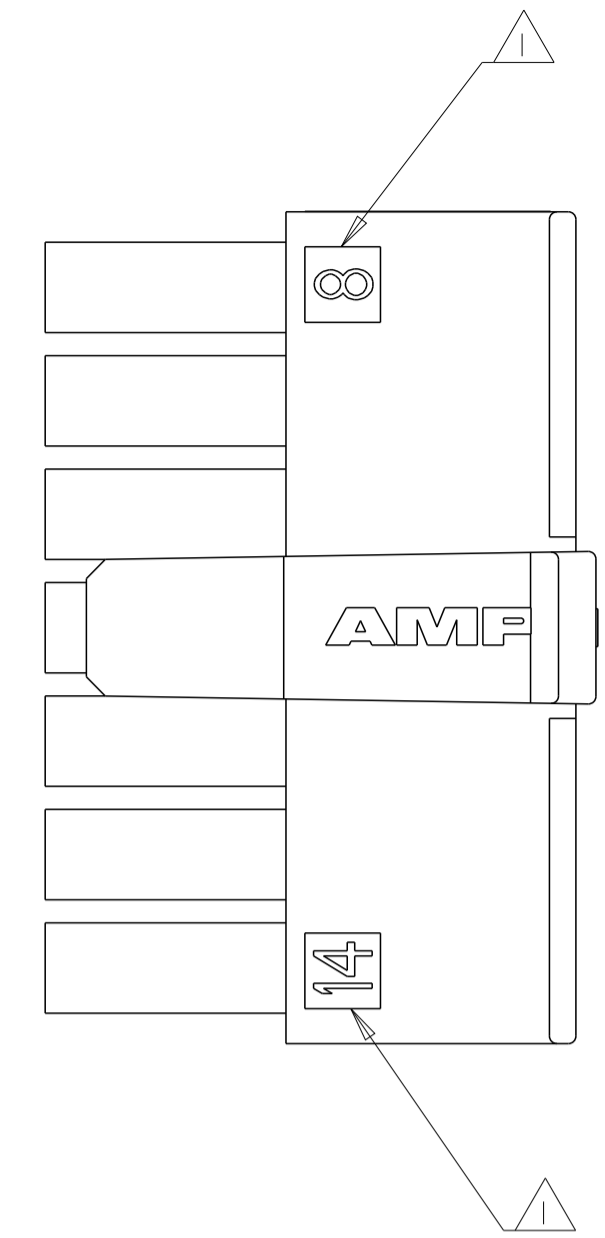
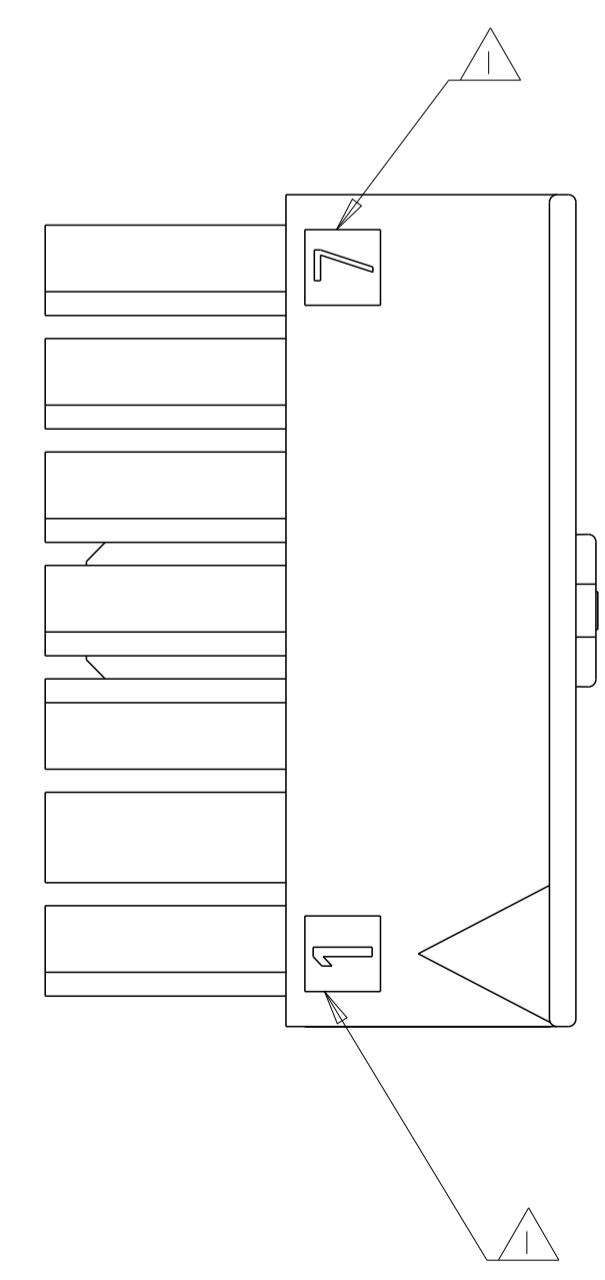
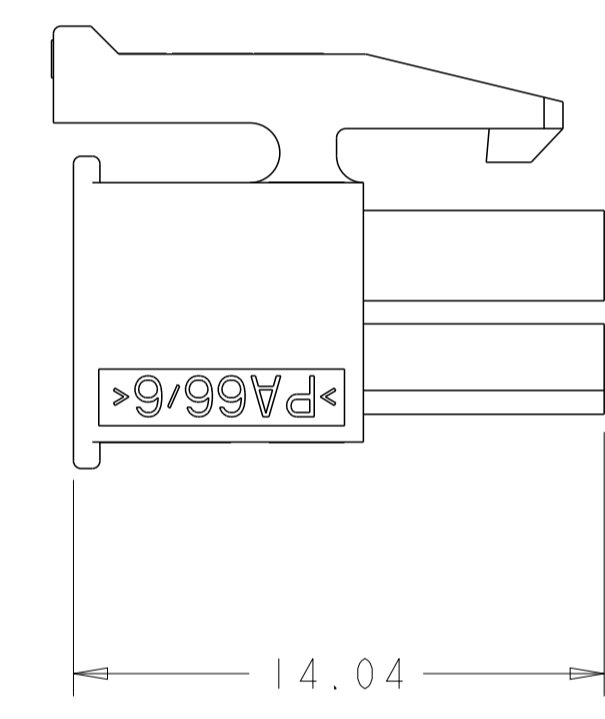
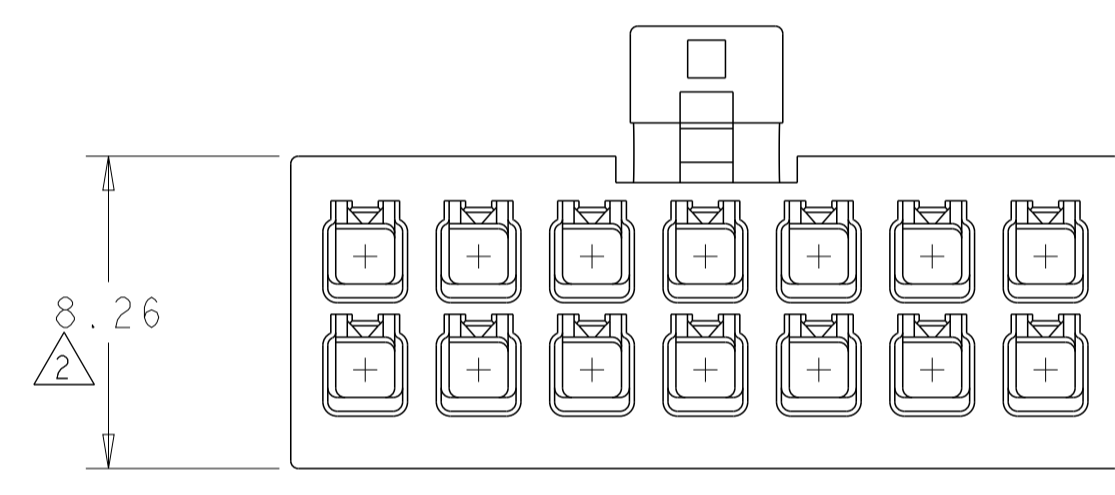
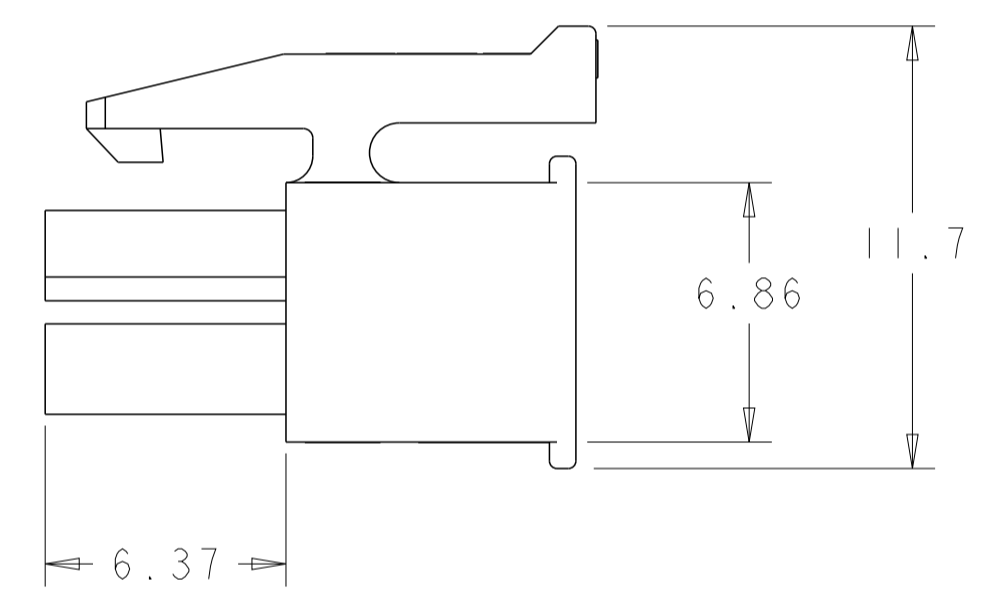
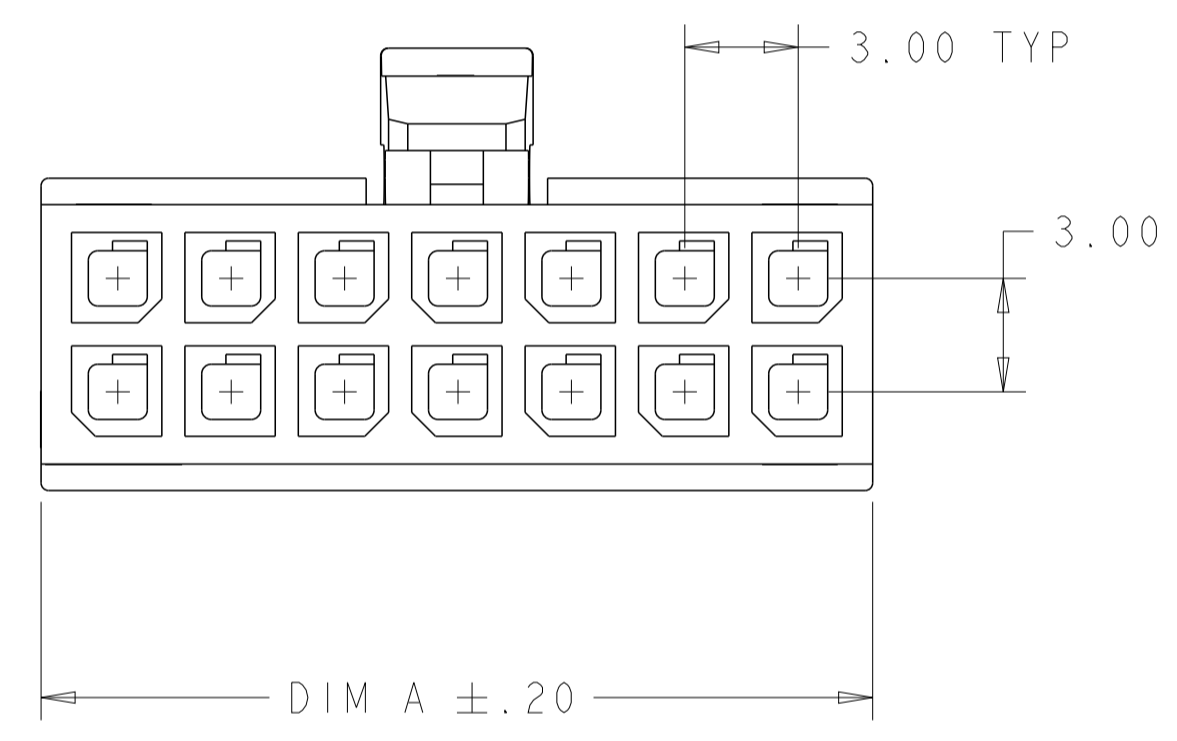


LOC	DIST	REVISIONS					
		P	LTN	DESCRIPTION	DATE	DWN	APVD
CM	53	E3		REVISED PER ECR-12-015771	11SEP2012	KH	TM



△ CIRCUIT IDENTIFIER, LOCATED APPROXIMATELY AS SHOWN.
 △ DIMENSION ONLY 7.56 ON 2 POSITION.



DIM A	NO. OF POS.	PART NUMBER
37.00	24	2-794617-4
34.00	22	2-794617-2
31.00	20	2-794617-0
28.00	18	1-794617-8
25.00	16	1-794617-6
22.00	14	1-794617-4
19.00	12	1-794617-2
16.00	10	1-794617-0
13.00	8	794617-8
10.00	6	794617-6
7.00	4	794617-4
4.00	2	794617-2

THIS DRAWING IS A CONTROLLED DOCUMENT.

DIMENSIONS:	TOLERANCES UNLESS OTHERWISE SPECIFIED:	DWN K. WHITAKER 4-OCT-1999	APVD K. COBLE 14-OCT-1999
mm	0 PLC ± 1 PLC ± 2 PLC ±0.26 3 PLC ± 4 PLC ± ANGLES ±0.30°	CHK K. COBLE 14-OCT-1999	NAME RECEPTACLE HOUSING, 2 TO 24 POSITION, DUAL ROW, MICRO MATE-N-LOK™
MATERIAL NYLON, UL94V-0 BLACK	FINISH	SIZE A100779	CAGE CODE DRAWING NO. 794617
CUSTOMER DRAWING		SCALE 5:1	SHEET 1 OF 1 REV E3

STC TE Connectivity