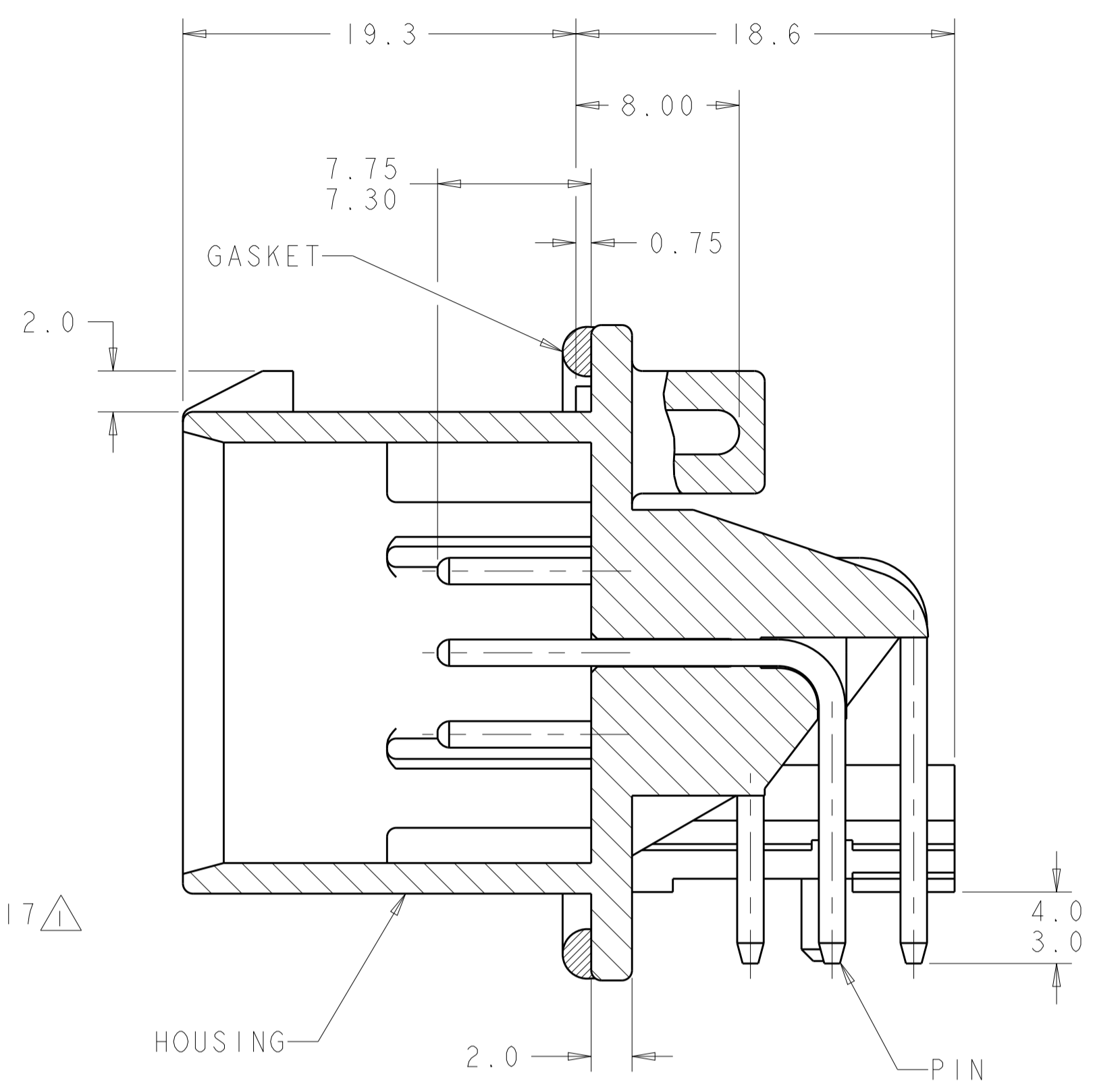
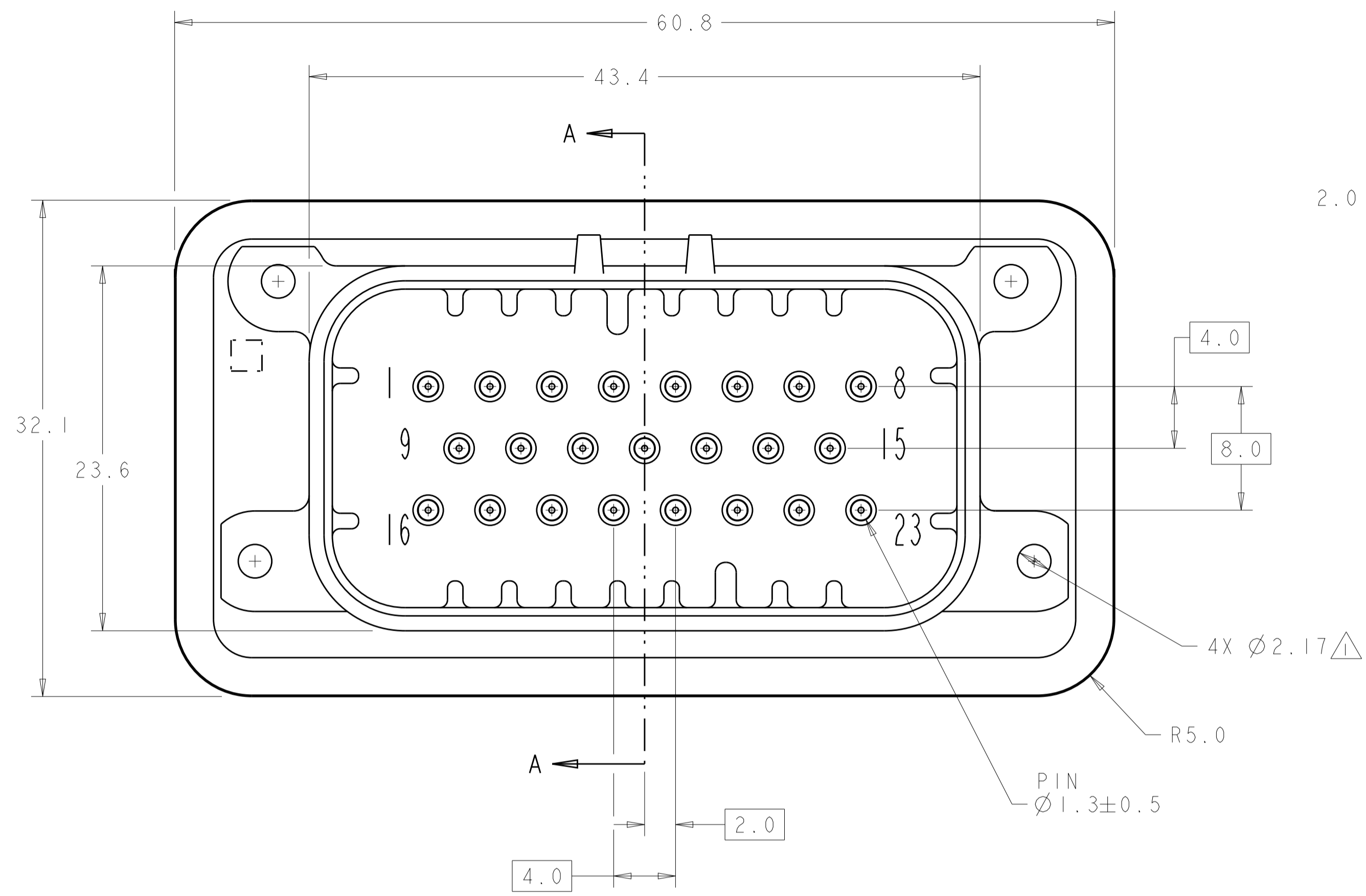
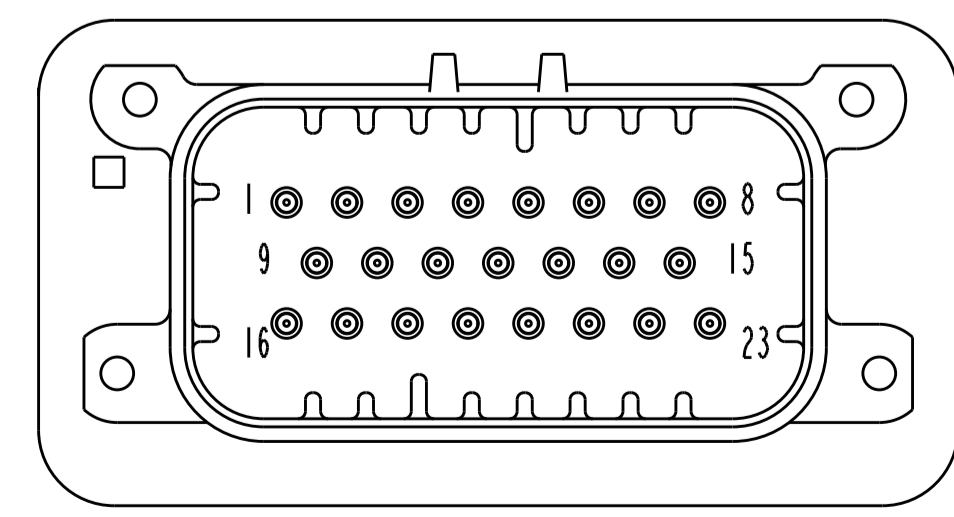
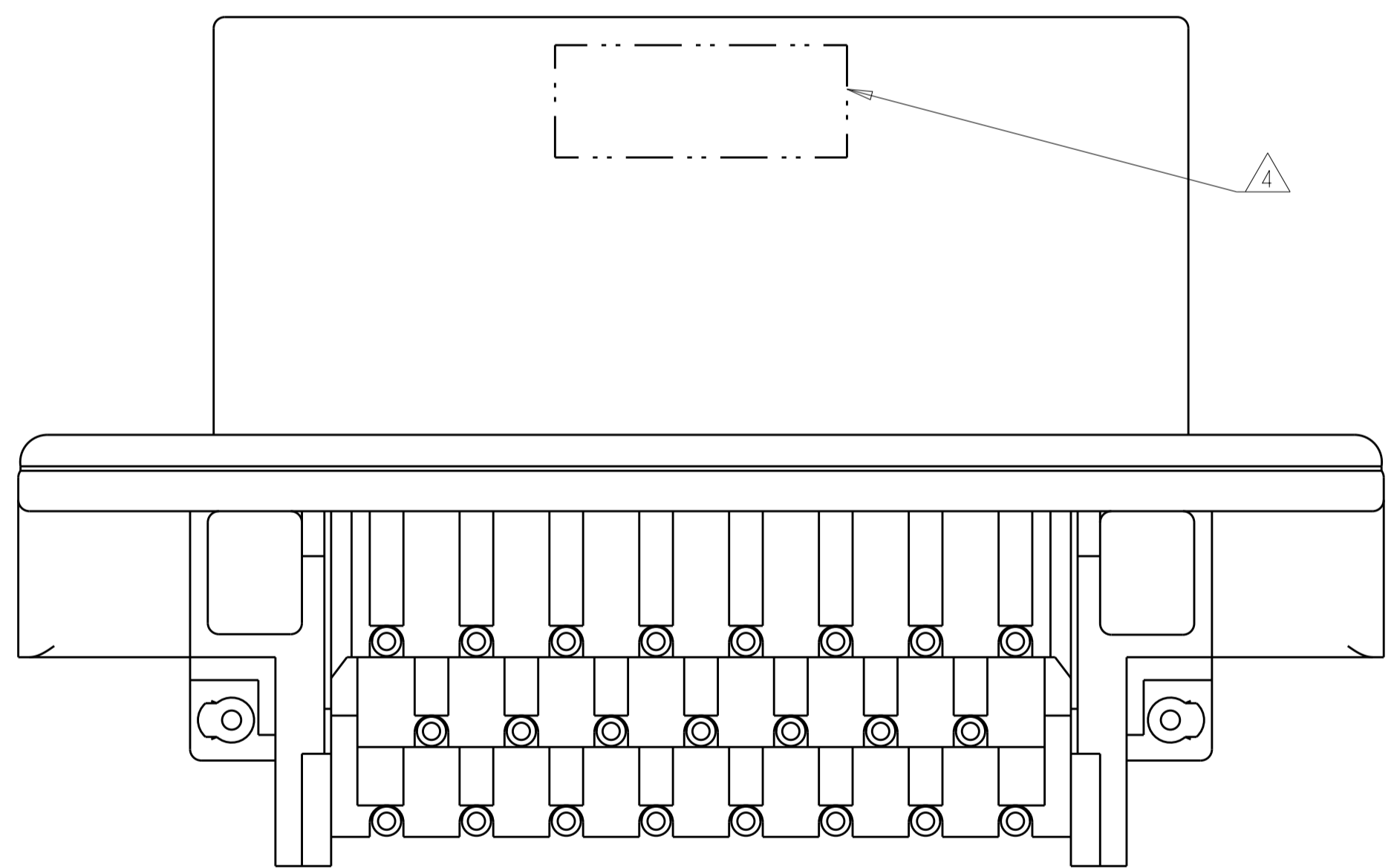


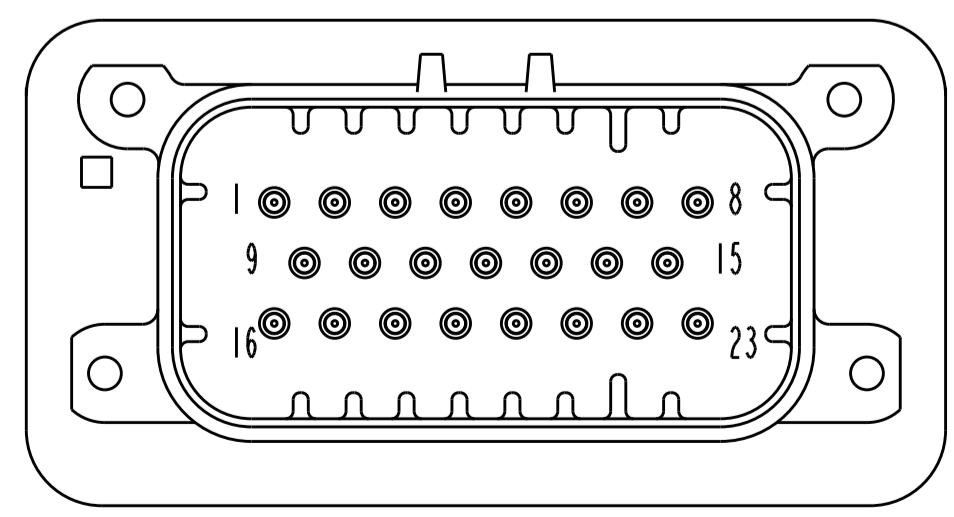
LOC	DIST	REV	DATE	BY	CHK	APPV
GE	00					
REVISIONS						
E4		REVISED PER ECO-11-005030	11MAR2011	RK	HMR	
E5		REVISED PER ECO-12-009257	29MAY2012	DD	DS	
E6		REVISED PER ECO-12-016002	05SEP2012	DD	DS	
E7		REVISED PER ECO-13-001836	14FEB2013	DD	DS	



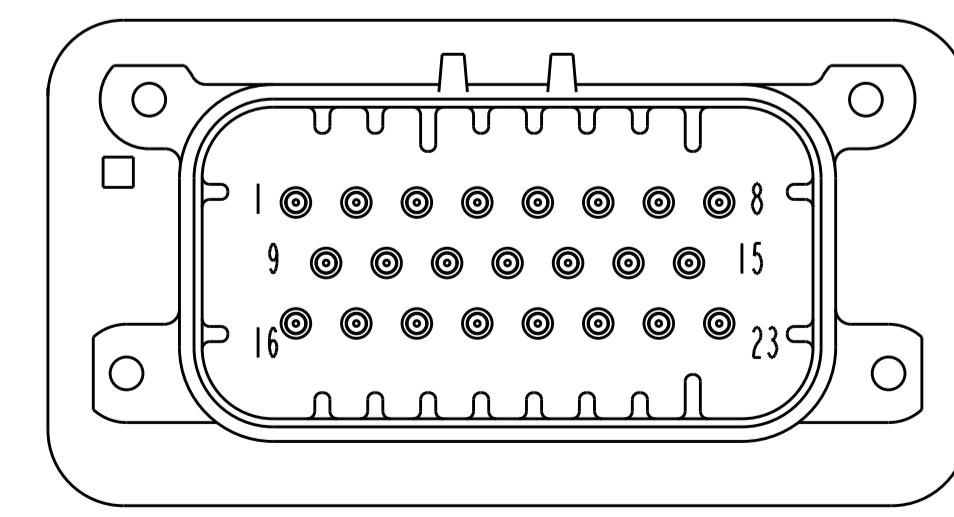
SECTION A-A



776087-2 & 1-776087-2  
 KEY LOCATION AS SHOWN  
 SCALE 2:1



776087-4 & 1-776087-4  
 KEY LOCATION AS SHOWN  
 SCALE 2:1



776087-5 & 1-776087-5  
 KEY LOCATION AS SHOWN  
 SCALE 2:1

- 1 ACCEPTS #4 SELF TAPPING THREAD FORMING SCREWS OR METRIC EQUIVALENT. DRIVE TO 0.6±0.2 N-m MAX.
- 2 HOUSING COLORS ARE MECHANICALLY KEYPED TO MATE ONLY WITH IDENTICALLY COLORED PLUG ASSEMBLIES.
- 3 MATERIALS: HEADER HOUSING - GLASS FIBERED PBT  
 PINS - TIN OR GOLD PLATED BRASS  
 GASKET - SILICONE
- 4 DATE CODE TO BE BRANDED IN THIS LOCATION PER TE SPEC 102-60  
 USE 5 DIGIT CODE: FIRST 2 DIGITS = YEAR, SECOND 2 DIGITS = WEEK  
 LAST DIGIT = DAY
- 5. HEADER MATES TO PLUG ASSEMBLY 770680 WHICH USES REELED TERMINAL 770520 AND LOOSE PIECE TERMINAL 770854

776087-1 & 1-776087-1  
 KEY LOCATION AS SHOWN

DURAGOLD	COLOR	PART NUMBER
DURAGOLD	BLUE	1-776087-5
DURAGOLD	GRAY	1-776087-4
DURAGOLD	NATURAL (WHITE)	1-776087-2
DURAGOLD	BLACK	1-776087-1
TIN	BLUE	776087-5
TIN	GRAY	776087-4
TIN	NATURAL (WHITE)	776087-2
TIN	BLACK	776087-1
FINISH	COLOR	PART NUMBER

THIS DRAWING IS A CONTROLLED DOCUMENT.

OWN: R. VESTAL 31DEC2002  
 CHK: D. CROWE 31DEC2002  
 APVD: D. CROWE 31DEC2002

DIMENSIONS: mm  
 TOLERANCES UNLESS OTHERWISE SPECIFIED:  
 0 PLC ±  
 1 PLC ±0.3  
 2 PLC ±0.13  
 3 PLC ±  
 4 PLC ±  
 ANGLES ±

PRODUCT SPEC: 108-1329  
 APPLICATION SPEC: 114-16016

MATERIAL: 3  
 FINISH: 3

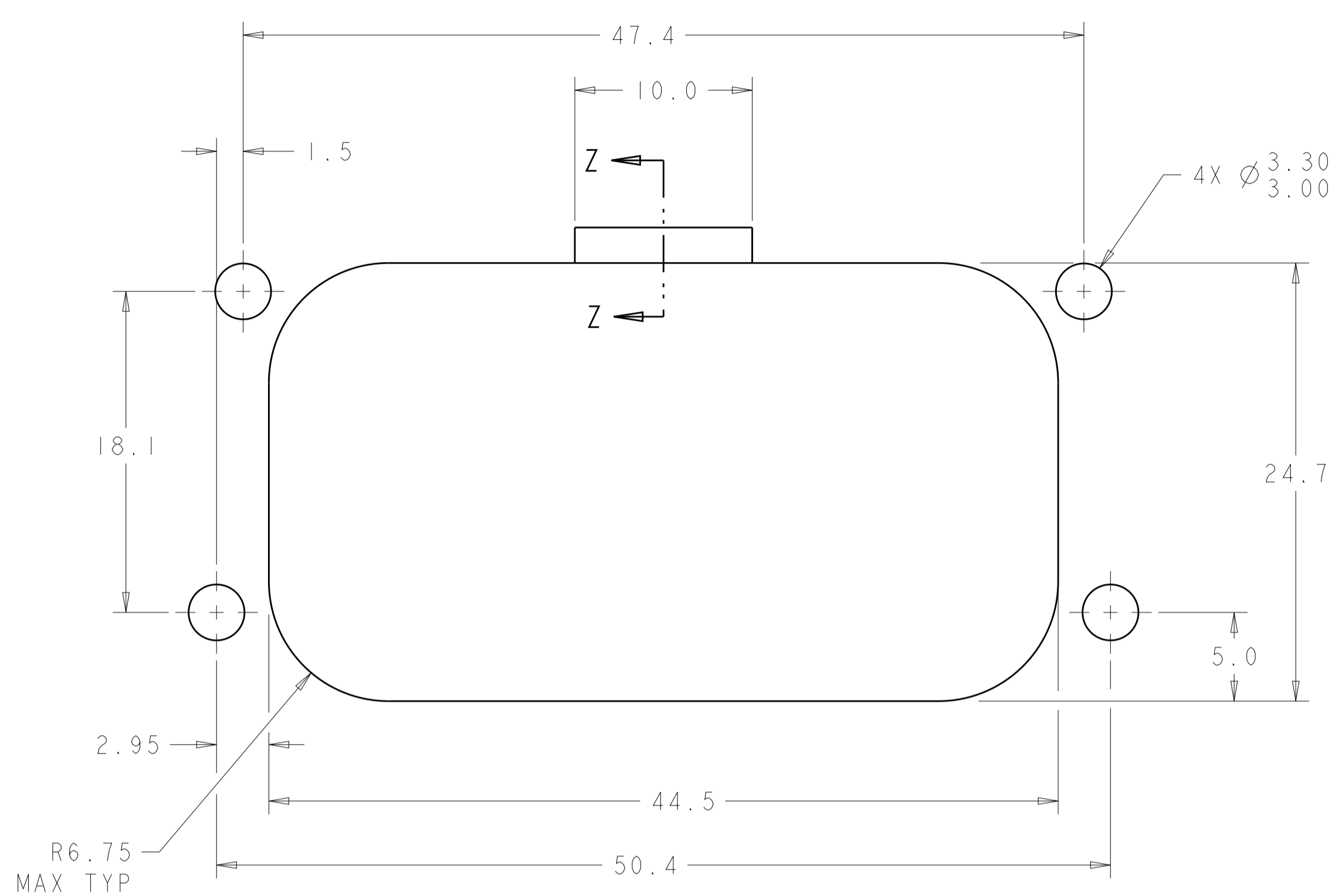
WEIGHT: -  
 Customer Drawing

NAME: **TE** TE Connectivity  
 HEATER ASSEMBLY,  
 23 POSITION, RIGHT ANGLE,  
 AMPSEAL

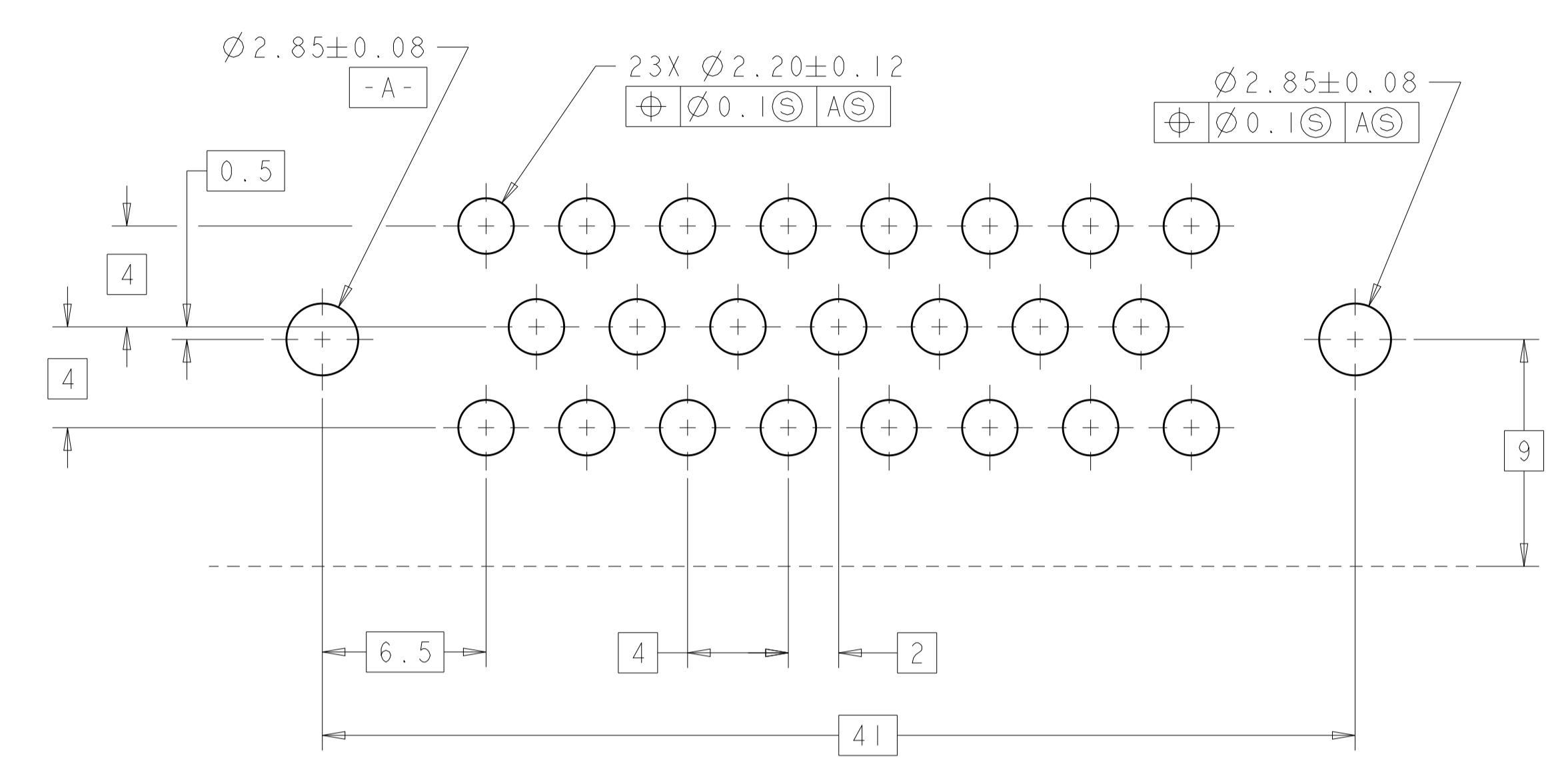
SIZE: A1  
 CAGE CODE: 100779  
 DRAWING NO: 776087

RESTRICTED TO: -  
 SCALE: 4:1 SHEET 1 OF 2 REV: E7

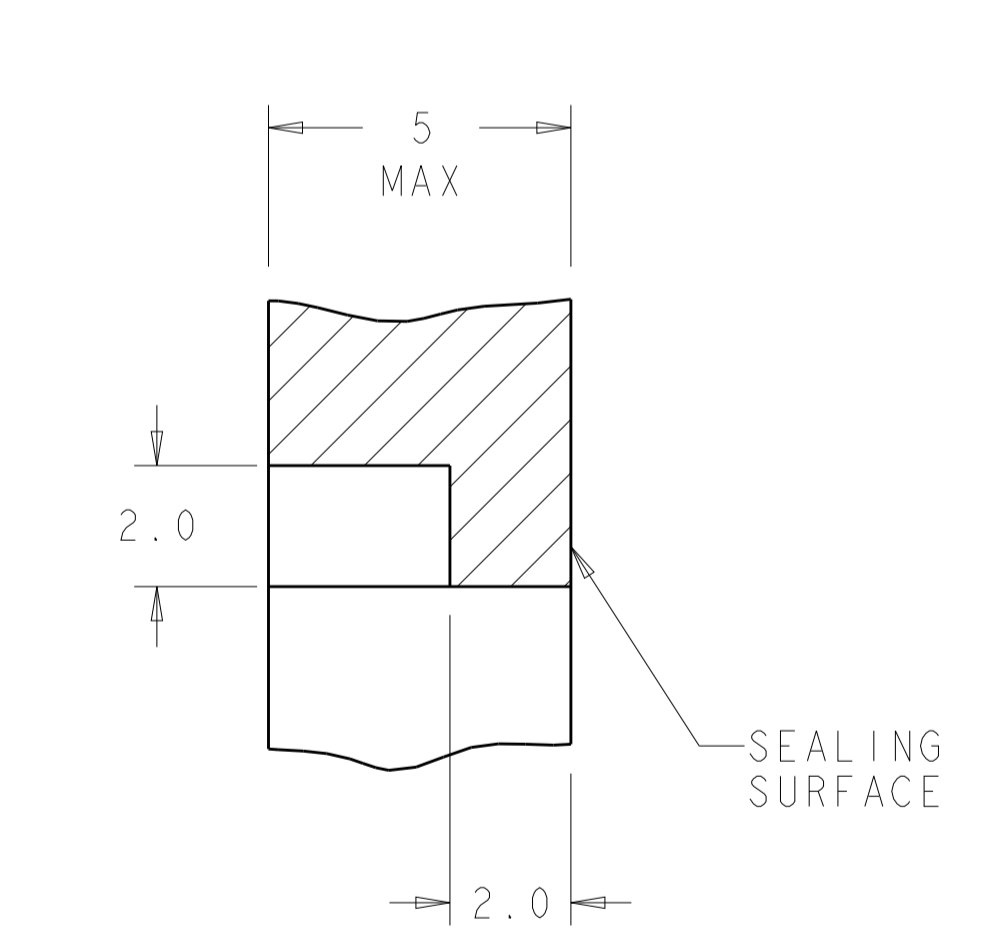
LOC	DIST	REVISIONS			
P	LTN	DESCRIPTION	DATE	DMN	APVD
-	-	SEE SHEET 1	-	-	-



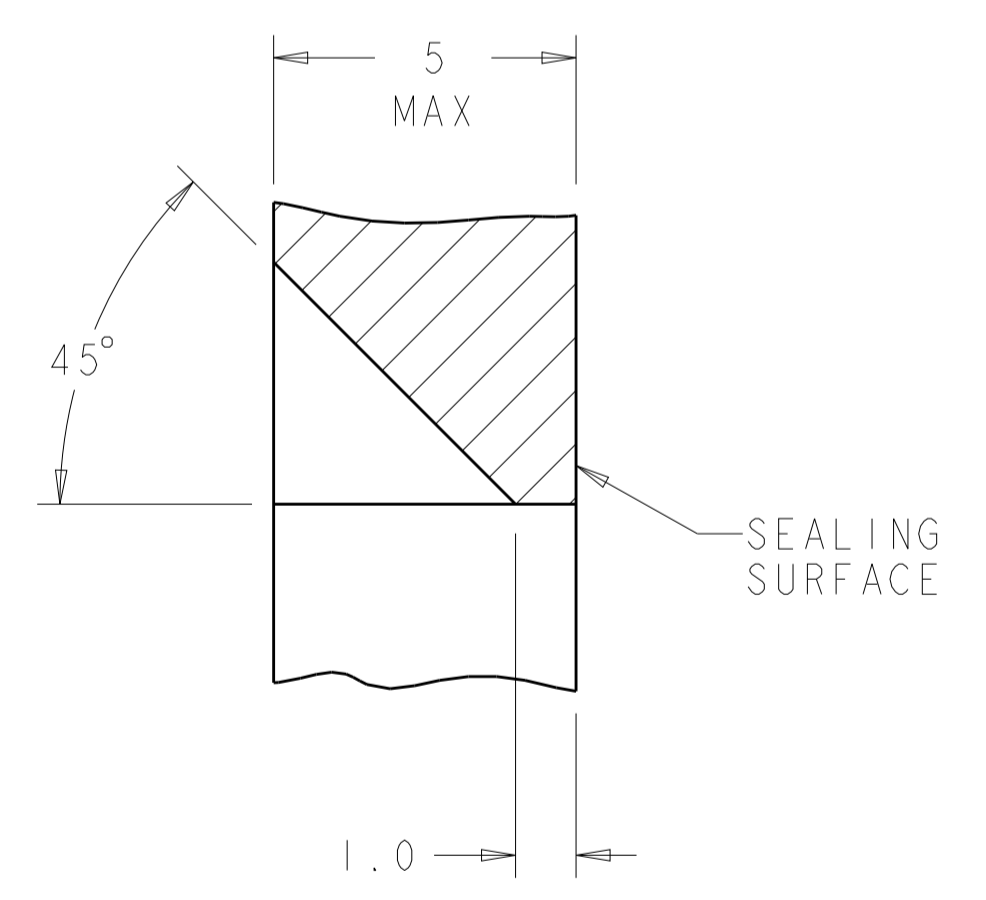
RECOMMENDED MOUNTING HOLE LAYOUT FOR 5.0 MAX THICK PANEL



RECOMMENDED P.C. BOARD LAYOUT FOR 1.57 THICK P.C. BOARD



SECTION Z-Z  
 OPTIONAL CONSTRUCTION IF THICKNESS IS GREATER THAN 2.0  
 SCALE 8:1



SECTION Z-Z  
 OPTIONAL CONSTRUCTION IF THICKNESS IS GREATER THAN 2.0  
 SCALE 8:1

THIS DRAWING IS A CONTROLLED DOCUMENT.		DMN R. VESTAL 31DEC2002	TE Connectivity
DIMENSIONS: mm		CHK D. CROWE 31DEC2002	
TOLERANCES UNLESS OTHERWISE SPECIFIED:		APVD D. CROWE 31DEC2002	NAME
0 PLC ±	1 PLC ±0.3	PRODUCT SPEC	HEADER ASSEMBLY, 23 POSITION, RIGHT ANGLE, AMPSEAL
2 PLC ±0.13	3 PLC ±	APPLICATION SPEC	SIZE CAGE CODE DRAWING NO RESTRICTED TO
4 PLC ±	ANGLES ±	WEIGHT	A100779C=776087
MATERIAL	FINISH	Customer Drawing	SCALE 4:1 SHEET 2 OF 2 REV E7