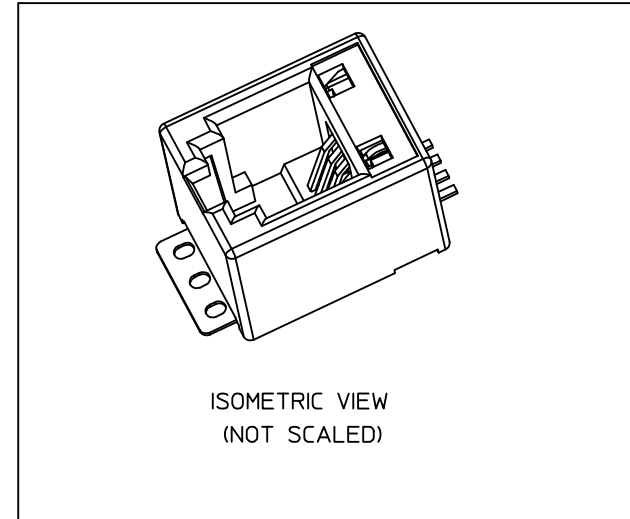
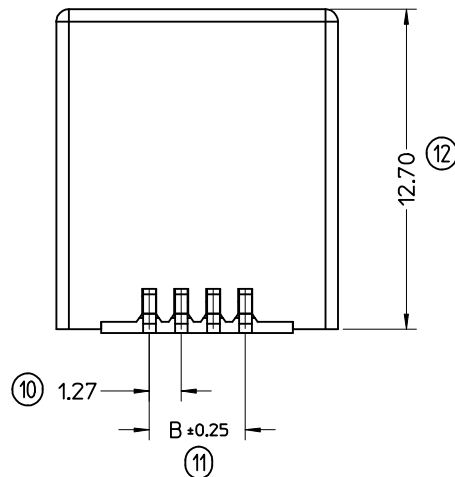
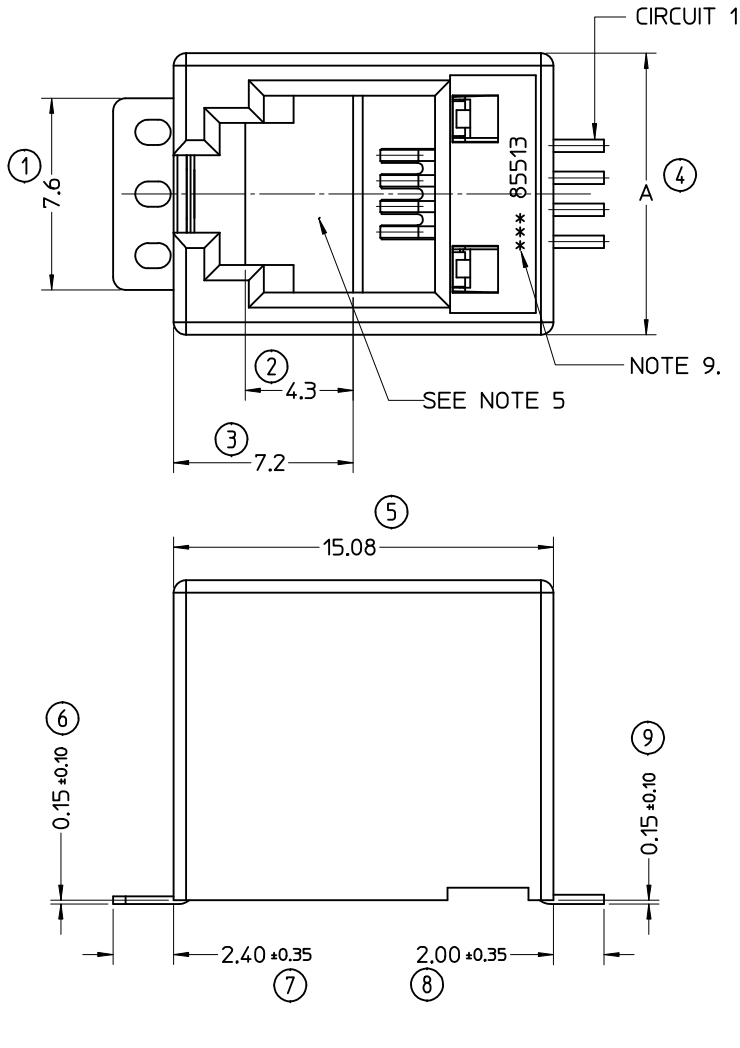


NOTES:

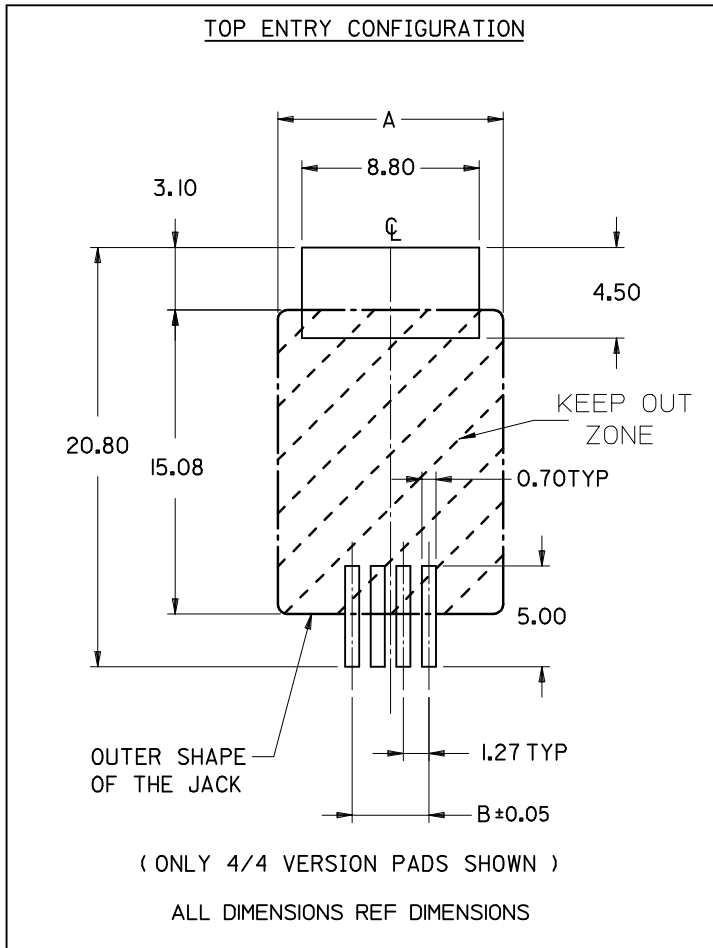
- 1- MATERIAL:
 - HOUSING: LCP GLASS FILLED UL 94-V0, COLOUR BLACK,
 - TERMINAL: COPPER ALLOY PLATED WITH:
 - BASE FINISH: NICKEL
 - CONTACT SURFACE FINISH:
 - GOLD,
 - OR
 - GOLD FLASH OVER PALLADIUM NICKEL.
 - EXCEEDS PRODUCT REQUIREMENTS BASED ON PS-85513-002
- 2- JACK FOR MATING WITH IEC 60603-7 AND TIA-1096-A PLUGS (MOLEX 90075 SERIES).
- 3- PRODUCT SPECIFICATION: PS-85513-002.
- 4- PACKAGING SPECIFICATION (SEE CHART SHEET2):
 - PK-85513-001 SHEET 3 (BLISTER ON REEL 13")
 - PK-85513-001 SHEET 1 (BLISTER ON REEL 15")
 - PK-85513-001 SHEET 2 (BLISTER ON REEL 22")
- 5- FLAT SURFACE ON BOTH SIDES FOR PICK AND PLACE PURPOSE
- 6- COPLANARITY OF LEADS AND TABS: 0.10 MAX
- 7- SEE RECOMMENDED PCB LAYOUT ON SHEET 2
- 8- FOR DRAWING PURPOSE, ONLY 4/4 VERSION SHOWN.
- 9- MANUFACTURING I.D CAN BE EITHER MXF.MG OR MXI.
- 10- APPLICATION SPEC AS-85513-001

LAST INSPECTION No: 13



REMOVED PLATING OPTIONS EC NO: IPG2012-0701 DRW: DBYRNES 2012/04/03 CHKD: FDUGGAN 2012/04/17 APPR: EFOLAN 2012/06/28	QUALITY SYMBOLS	GENERAL TOLERANCES (UNLESS SPECIFIED)		DIMENSION STYLE MM ONLY		SCALE 5:1	DESIGN UNITS METRIC	THIRD ANGLE PROJECTION	
	▽=0 ∠=0	mm	INCH	DRAWN BY DBYRNES	DATE 2006/08/17	TITLE LOW PROFILE TOP ENTRY TRUE SMT JACK WITH P&P SURFACE(SHORT VERSION)			
		4 PLACES ± --- ± ---	3 PLACES ± --- ± ---	CHECKED BY EOMAHONY	DATE 2006/08/17	MOLEX INCORPORATED			
		2 PLACES ± 0.15 ± ---	1 PLACE ± 0.25 ± ---	APPROVED BY EOMAHONY	DATE 2006/08/17	MATERIAL NO. SEE SHEET 2		DOCUMENT NO. SD-85513-010	SHEET NO. 1 OF 2
	ANGULAR ± 2 °		DRAFT WHERE APPLICABLE MUST REMAIN WITHIN DIMENSIONS		THIS DRAWING CONTAINS INFORMATION THAT IS PROPRIETARY TO MOLEX INCORPORATED AND SHOULD NOT BE USED WITHOUT WRITTEN PERMISSION				

RECOMMENDED PCB LAYOUTS
(SEE FROM COMPONENT SIDE)



PART. NO.	HOUSING SIZE	LOADED CKTS	TOOLED	A	B	PACKAGING	PACKAGING SPEC.
85513-5013	8	8	YES	15.24	8.89	BLISTER ON REEL 13"	PK-85513-001 SHEET 3
85513-5001			YES			BLISTER ON REEL 15"	PK-85513-001 SHEET 1
85513-5009			YES			BLISTER ON REEL 22"	PK-85513-001 SHEET 2
85513-5014	6	6	YES	13.21	6.35	BLISTER ON REEL 13"	PK-85513-001 SHEET 3
85513-5002			YES			BLISTER ON REEL 15"	PK-85513-001 SHEET 1
85513-5010			YES			BLISTER ON REEL 22"	PK-85513-001 SHEET 2
85513-5015	6	4	YES	13.21	3.81	BLISTER ON REEL 13"	PK-85513-001 SHEET 3
85513-5003			YES			BLISTER ON REEL 15"	PK-85513-001 SHEET 1
85513-5011			YES			BLISTER ON REEL 22"	PK-85513-001 SHEET 2
85513-5016	4	4	YES	11.18	3.81	BLISTER ON REEL 13"	PK-85513-001 SHEET 3
85513-5004			YES			BLISTER ON REEL 15"	PK-85513-001 SHEET 1
85513-5012			YES			BLISTER ON REEL 22"	PK-85513-001 SHEET 2

SEE SHEET 1 EC NO: IPG2012-0701 DRW: DBYRNES 2012/04/03 CHK: PDUGGAN 2012/04/17 APPR: EFOLAN 2012/06/28	QUALITY SYMBOLS	GENERAL TOLERANCES (UNLESS SPECIFIED)	DIMENSION STYLE	SCALE	DESIGN UNITS	THIRD ANGLE PROJECTION	
	▽=0 Ⓢ=0	mm INCH 4 PLACES ± --- ± --- 3 PLACES ± --- ± --- 2 PLACES ± 0.15 ± --- 1 PLACE ± 0.25 ± --- ANGULAR ± 2 °	MM ONLY	1:1	METRIC		
		DRAFT WHERE APPLICABLE MUST REMAIN WITHIN DIMENSIONS	DRAWN BY	DATE	TITLE		
			DBYRNES	2006/08/17	LOW PROFILE TOP ENTRY TRUE SMT JACK WITH P&P SURFACE(SHORT VERSION)		
			EOMAHONY	2006/08/17	MOLEX INCORPORATED		
		EOMAHONY	2006/08/17	MATERIAL NO.	DOCUMENT NO.	SHEET NO.	
			SEE CHART		SD-85513-010	2 OF 2	
			SIZE A3	THIS DRAWING CONTAINS INFORMATION THAT IS PROPRIETARY TO MOLEX INCORPORATED AND SHOULD NOT BE USED WITHOUT WRITTEN PERMISSION			