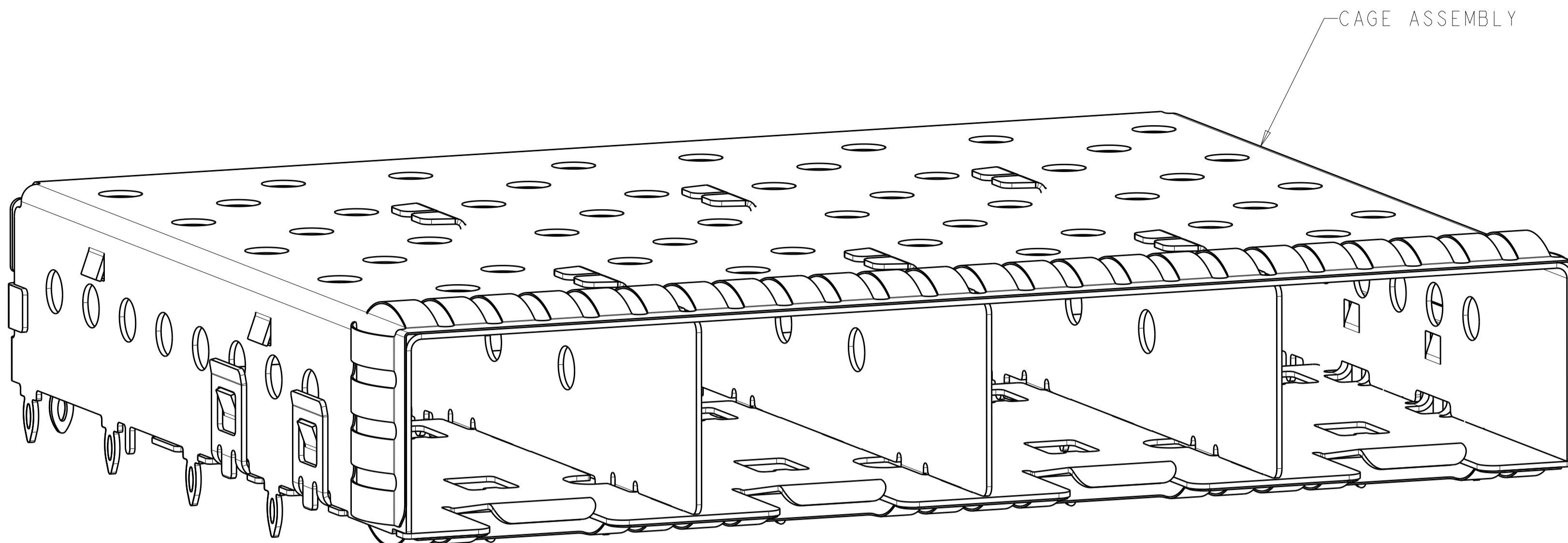
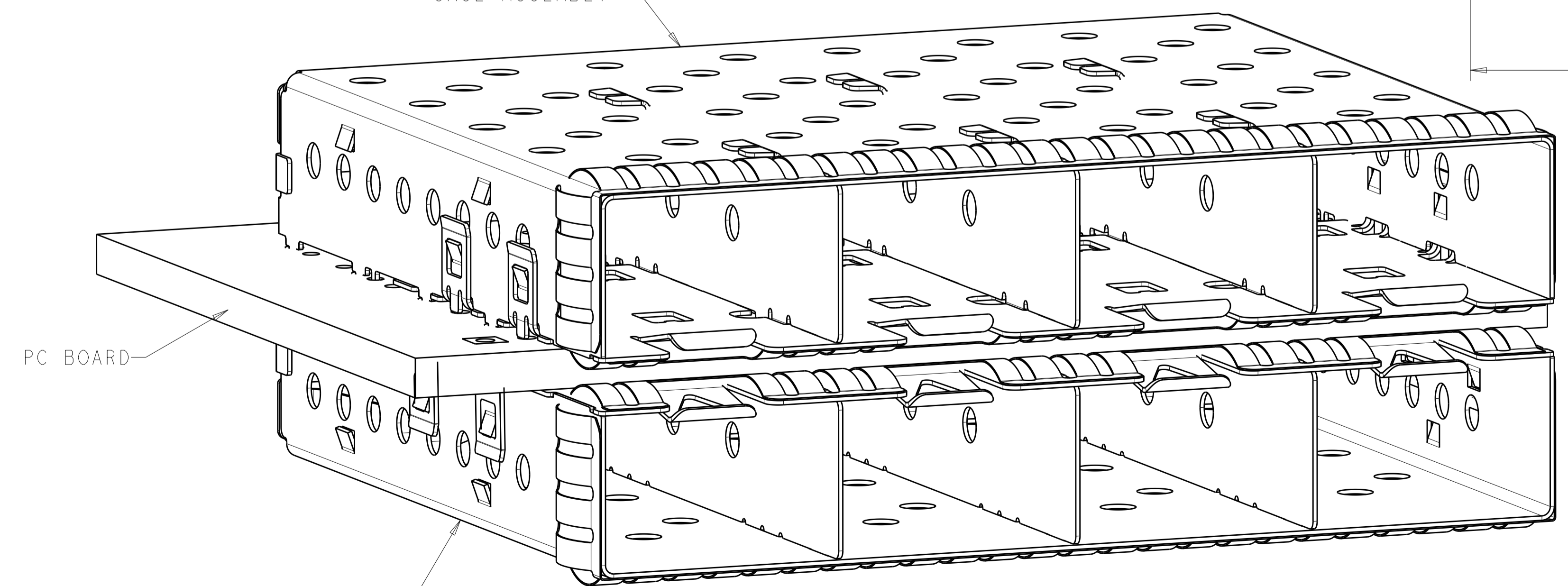
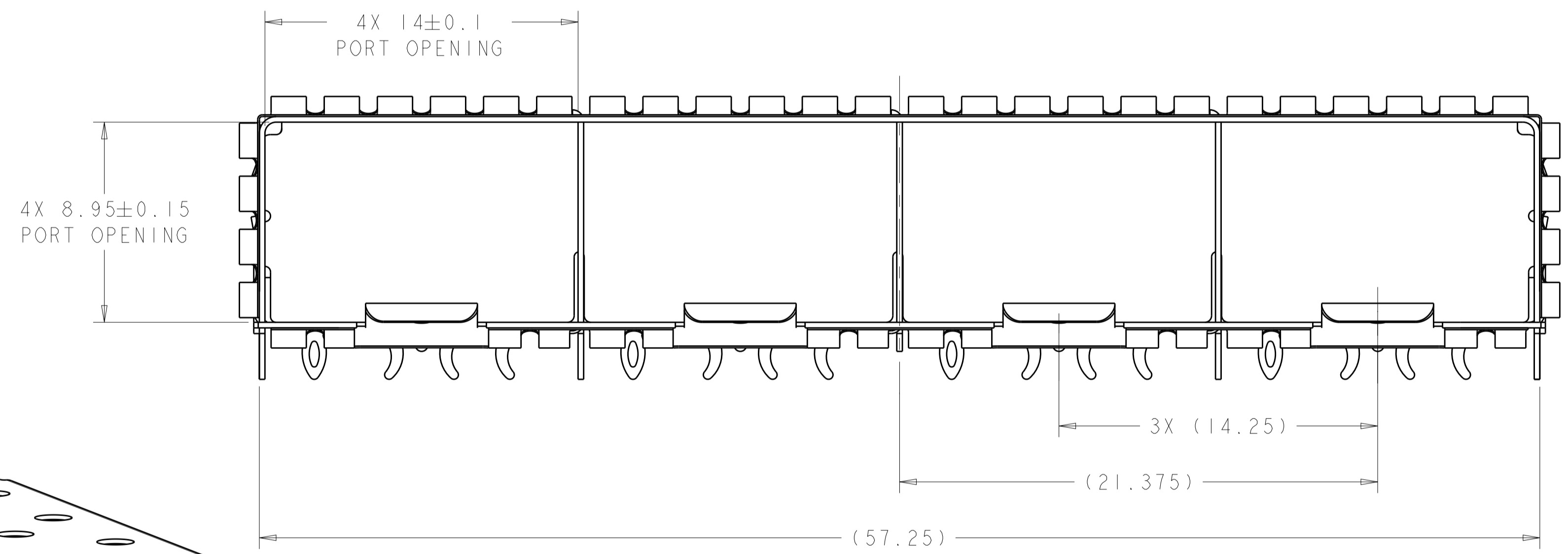
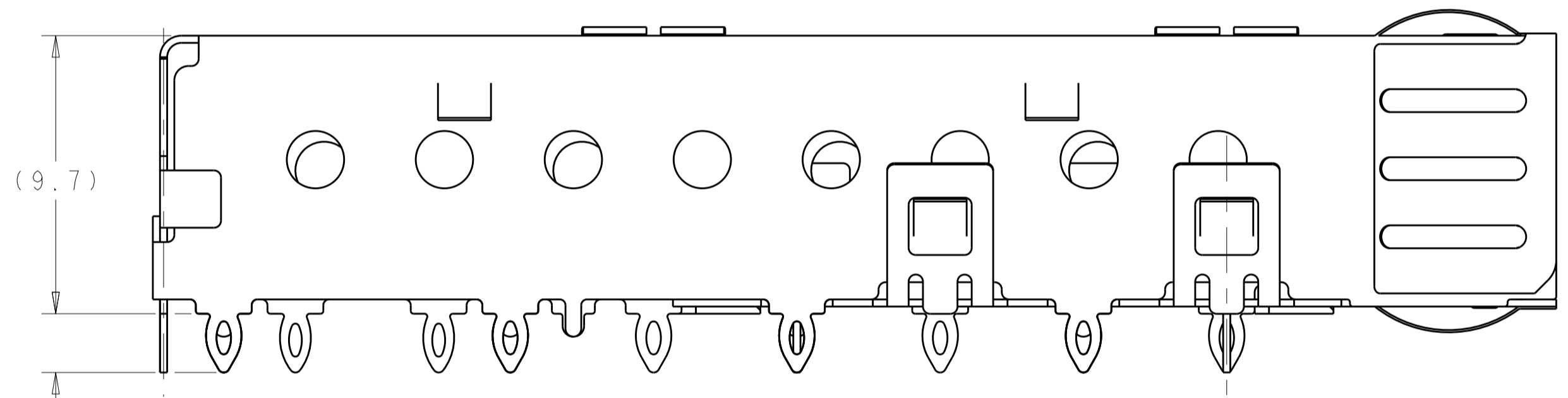


LOC	DIST	REVISIONS					
GP	00	P	LTN	DESCRIPTION	DATE	DWN	APVD
		B		REVISED PER ECO-09-022874	19OCT2009	CR	MS
		C		REVISED PER ECO-11-024172	07DEC2011	TX	AC
		D		REVISED PER ECO-12-014021	29NOV2012	TD	AC



- 1. MATERIAL: CAGE ASSEMBLY: 0.25mm THICK NICKEL SILVER ALLOY. EMI SPRINGS: COPPER ALLOY
- 2. FINISH SPRINGS: MINIMUM OF 0.8um MATTE TIN PLATED OVER A MINIMUM OF 0.8um NICKEL UNDERPLATE. NON-PLATED EDGES PERMISSIBLE.
- 3. PADS AND VIAS CHASSIS GROUND.
- 4. DATUM AND BASIC DIMENSION ESTABLISHED BY CUSTOMER.
- 5. MATES WITH SFP MSA COMPLIANT TRANSCEIVERS.
- 6. INTERPRETATION OF DATUM REFERENCE FRAME IN ACCORDANCE WITH SECT 4.4.1.1 OF ASME Y14.5M-1994.
- 7. REFERENCE APPLICATION SPEC. 114-13120, HOLE A, FOR RECOMMENDED DRILL HOLE DIAMETER AND PLATING THICKNESS.
- 8. REFERENCE APPLICATION SPEC. 114-13120, HOLE B, FOR RECOMMENDED DRILL HOLE DIAMETER AND PLATING THICKNESS.
- 9. HOLE PATTERN REPEATS FOR EACH PORT. SPACING BETWEEN PORTS IS 14.25mm.
- 10. MINIMUM PCB THICKNESS:  
SINGLE SIDED = 1.50  
DOUBLE SIDED = 2.25
- 11. CERTAIN MATING TRANSCEIVERS MAY REQUIRE ADDITIONAL PCB THICKNESS THAT WOULD NEED TO BE DETERMINED BY THE CUSTOMER.
- 12. PRODUCT COMPLIES WITH WITH SPECIFICATION SFF-8433 IMPROVED PLUGGABLE FORM FACTOR FOR SFP+ GANGED CAGES.

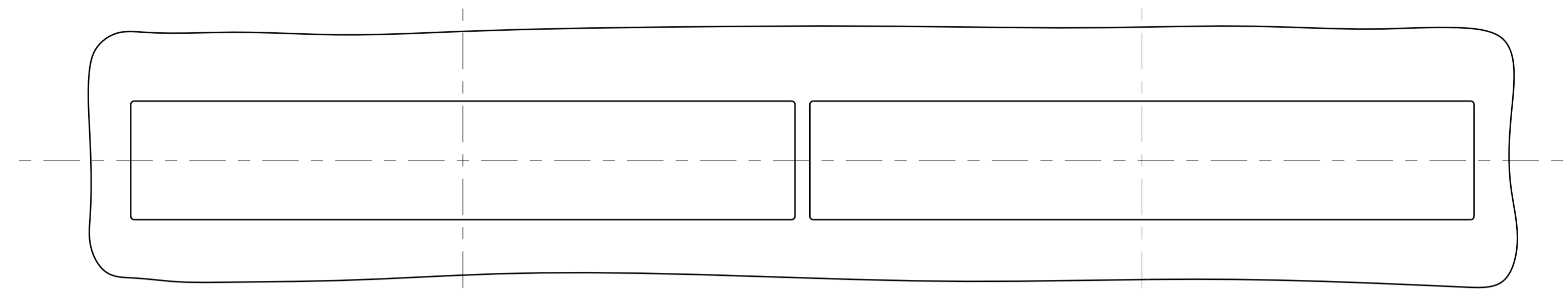


2007132-1 MOUNTED BELLYTO BELLY ON PCB  
SCALE 5:1

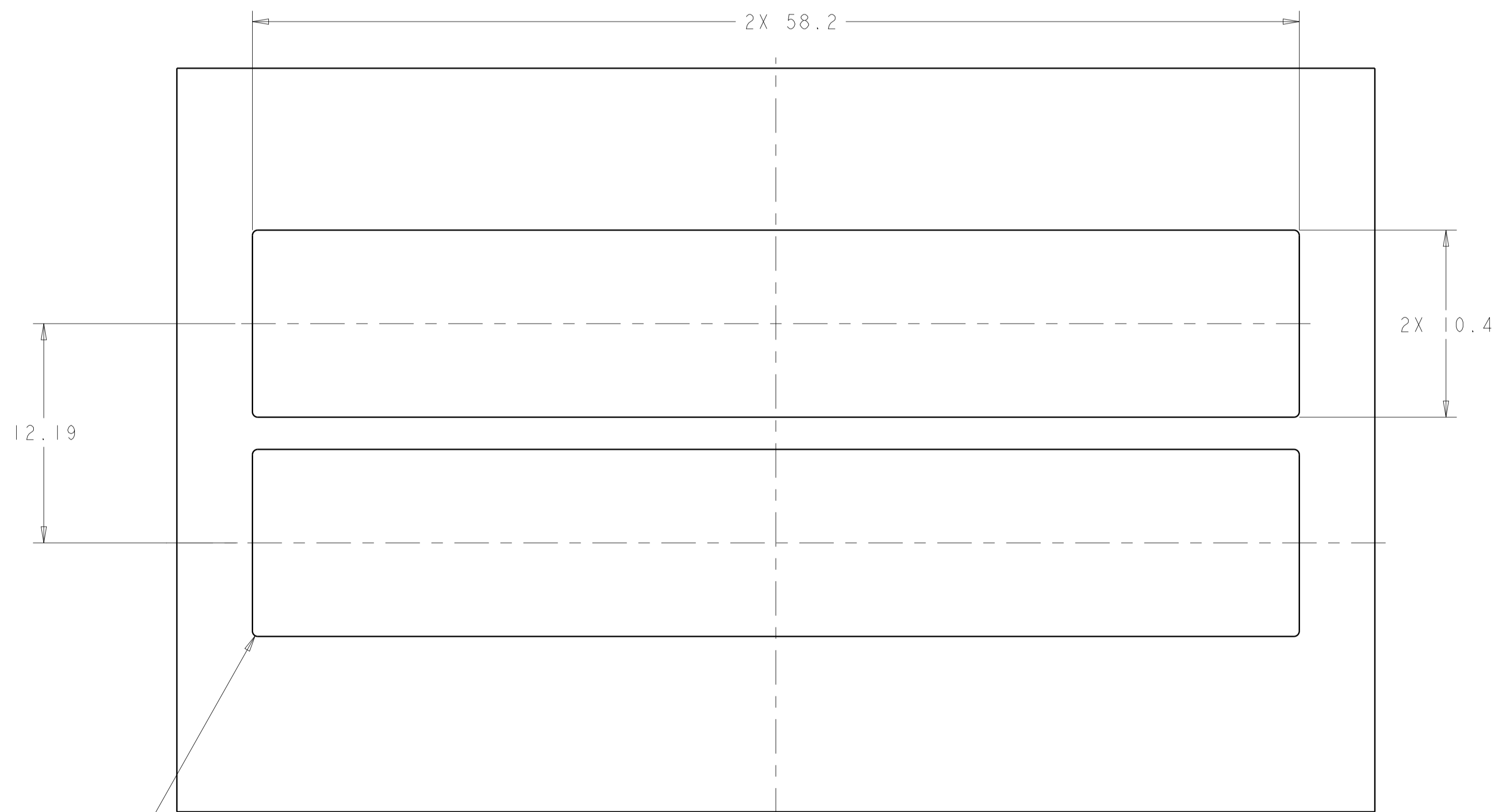
2007132-1  
PART NUMBER

THIS DRAWING IS A CONTROLLED DOCUMENT.		DWN M. SCHMITT 21JUN2007	 TE Connectivity	NAME SFP+ 1X4 CAGE ASSEMBLY PRESS FIT, EXTERNAL EMI SPRINGS		
DIMENSIONS:		CHK M. SCHMITT 21JUN2007		PRODUCT SPEC	SIZE CAGE CODE DRAWING NO RESTRICTED TO	
TOLERANCES UNLESS OTHERWISE SPECIFIED:		APVD B. WERTZ 21JUN2007		108-2364	A100779C=2007132	
mm				APPLICATION SPEC	Customer Drawing	
MATERIAL		0 PLC ±0.1	114-13120	SCALE 1:1	SHEET 1 OF 4	
FINISH		1 PLC ±0.1	WEIGHT	REV D		
ANGLES		2 PLC ±0.1				
		3 PLC ±0.1				
		4 PLC ±0.1				
		ANGLES ±1°				

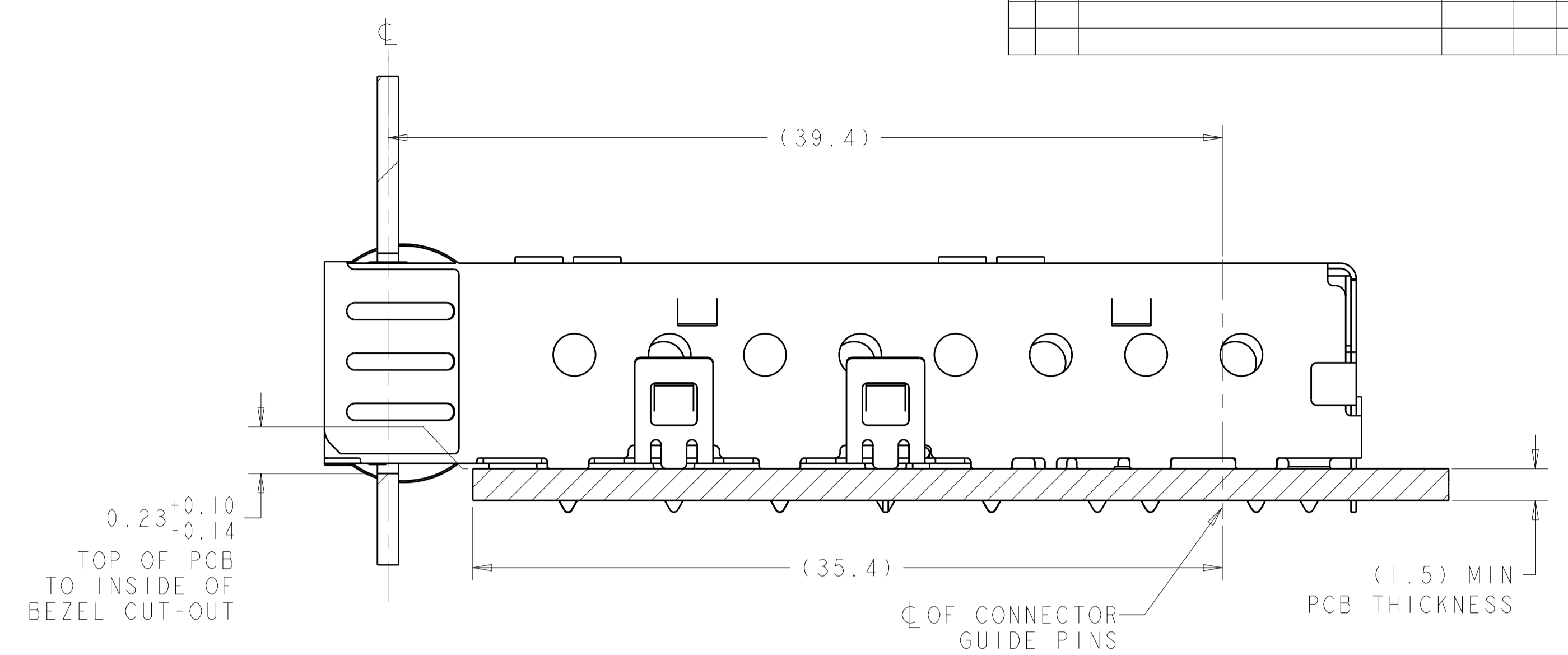
LOC	DIST	REV	DATE	BY	APPV
GP	00				
REVISIONS					
DESCRIPTION					
SEE SHEET 1					



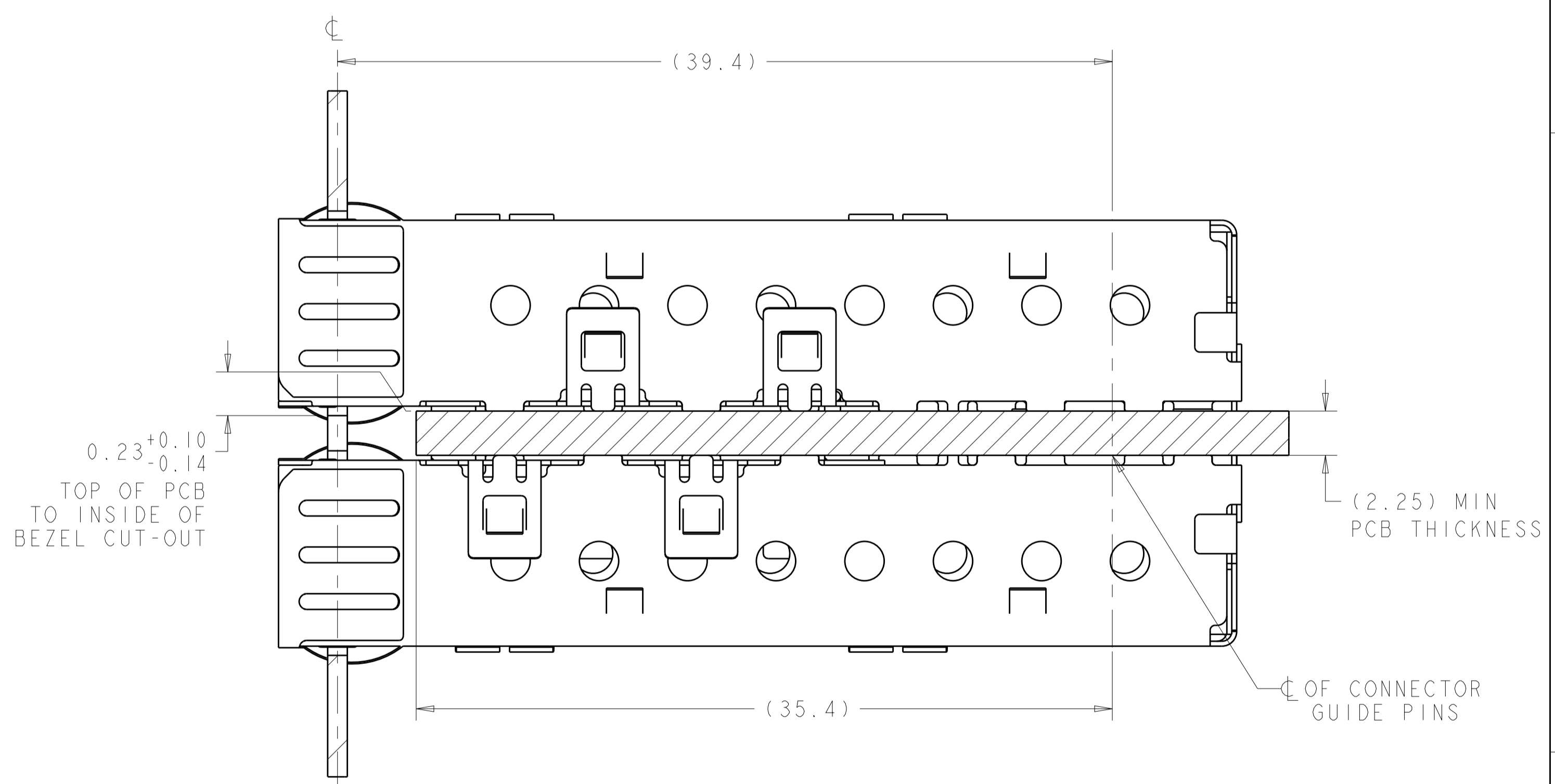
RECOMMENDED BEZEL CUT-OUT  
 SINGLE SIDED APPLICATIONS  
 SCALE 3:1



RECOMMENDED BEZEL CUT-OUT  
 BELLY TO BELLY APPLICATIONS  
 SCALE 5:1



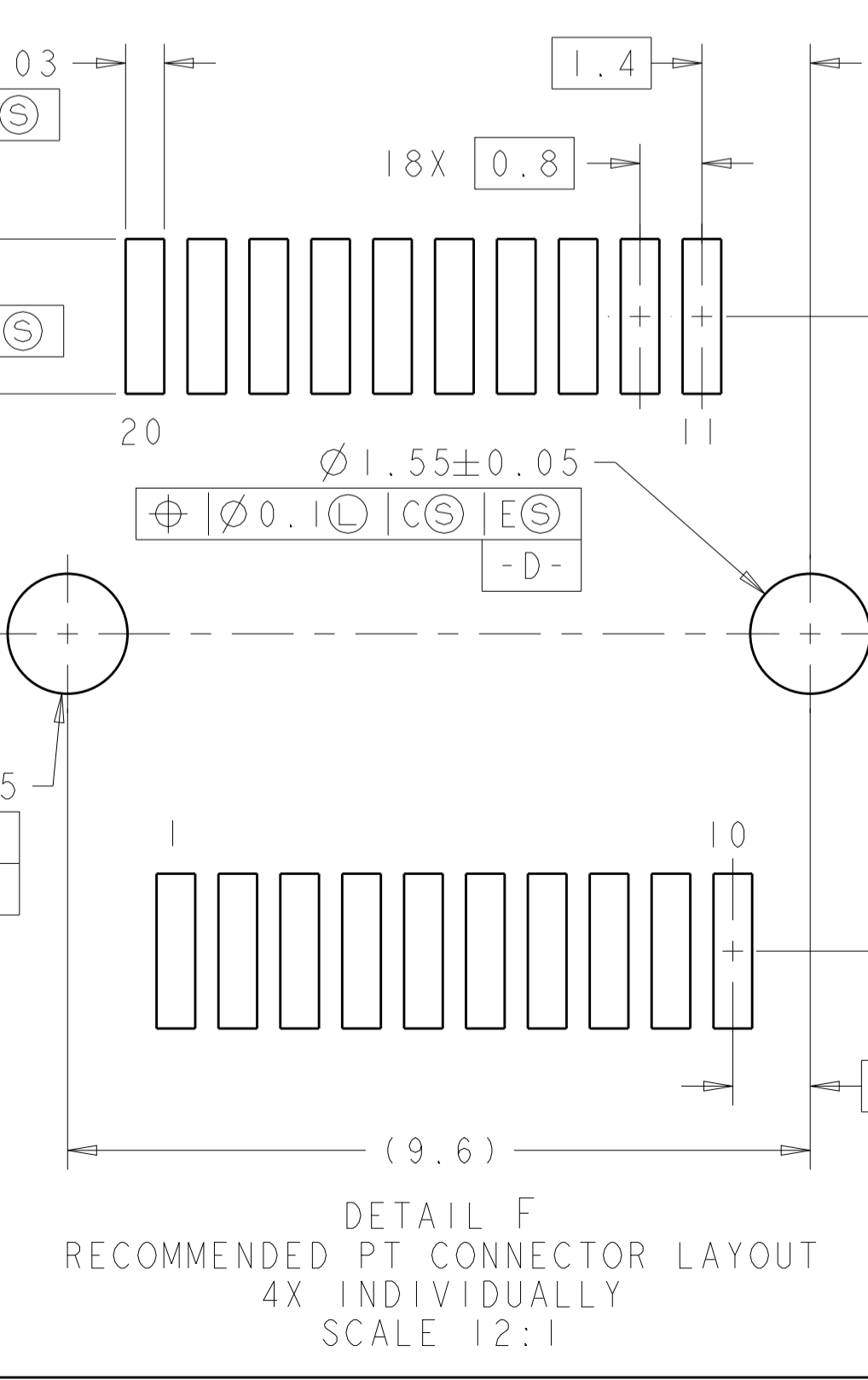
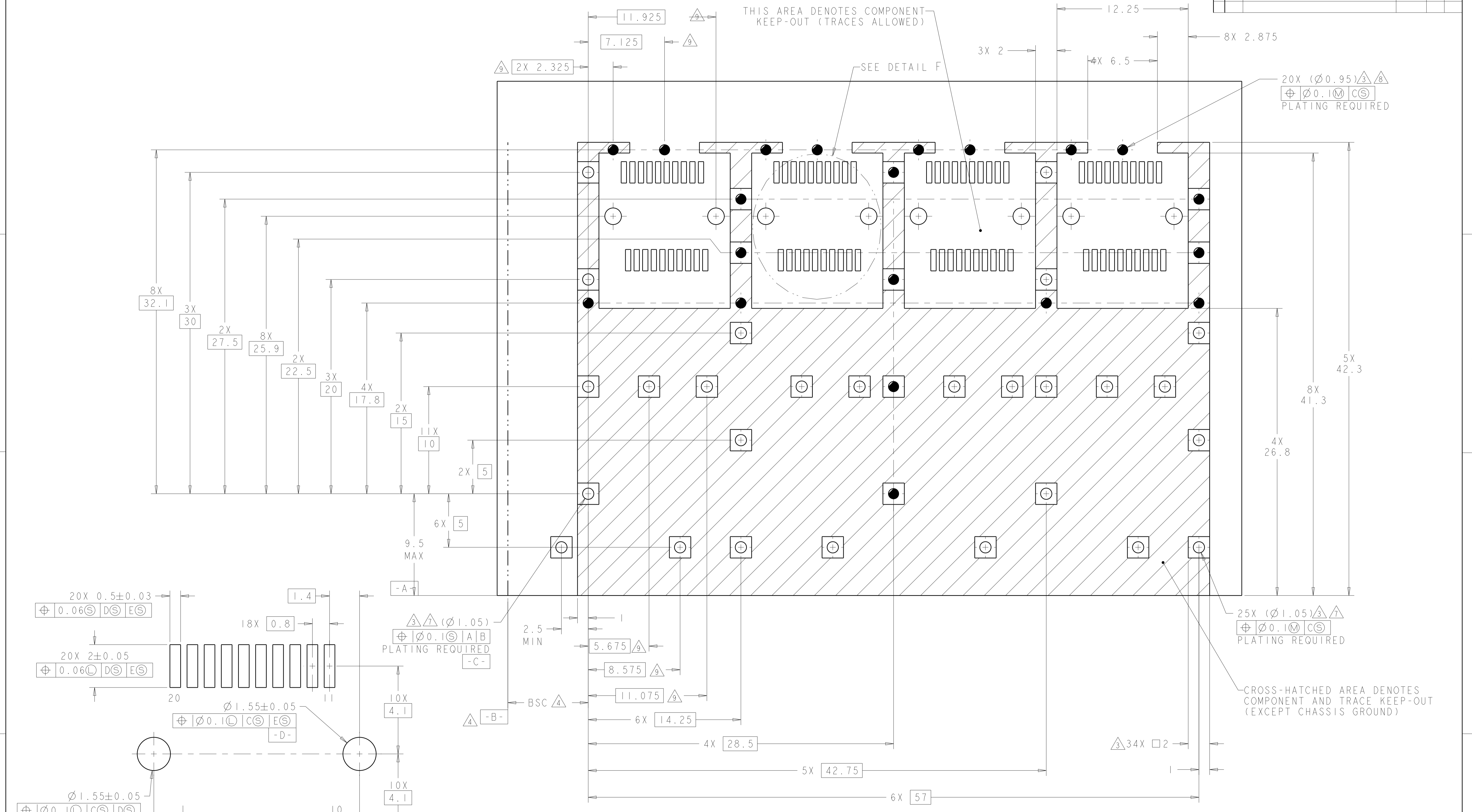
2007132-1  
 MOUNTED ON PC BOARD  
 SHOWN THRU RECOMMENDED BEZEL  
 SCALE 5:1



2007132-1  
 MOUNTED BELLY TO BELLY ON PC BOARD  
 SHOWN THRU RECOMMENDED BEZEL  
 SCALE 5:1

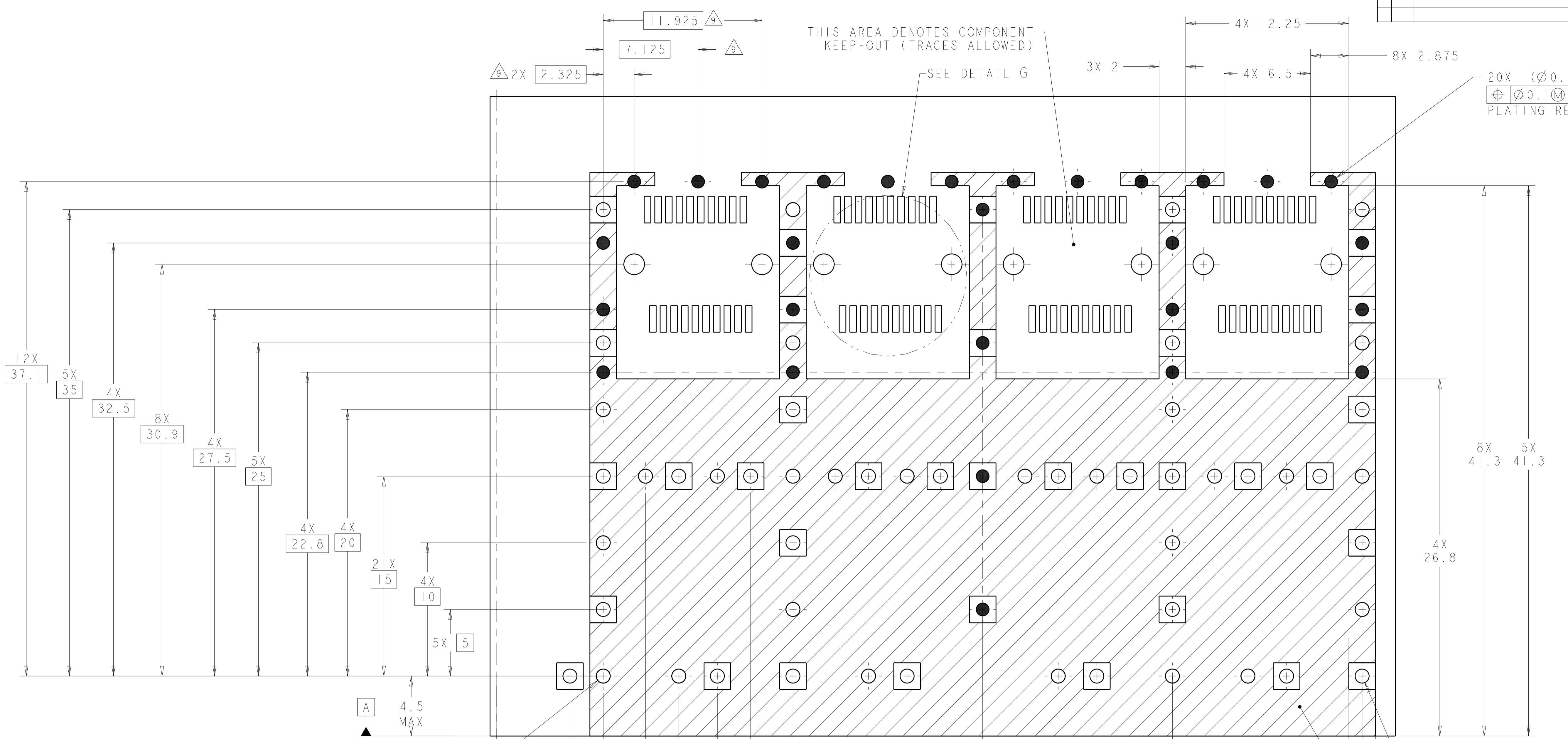
THIS DRAWING IS A CONTROLLED DOCUMENT.		DWN M. SCHMITT 21JUN2007 CHK M. SCHMITT 21JUN2007 APV B. WERTZ 21JUN2007	TE Connectivity
DIMENSIONS: mm	TOLERANCES UNLESS OTHERWISE SPECIFIED: 0 PLC ±0.1 1 PLC ±0.1 2 PLC ±0.1 3 PLC ±0.1 4 PLC ±0.1 ANGLES ±1°	NAME SFP+ 1X4 CAGE ASSEMBLY PRESS FIT, EXTERNAL EMI SPRINGS	
MATERIAL FINISH	APPLICATION SPEC 108-2364	SIZE 114-13120	RESTRICTED TO A100779 ©=2007132
Customer Drawing		WEIGHT SCALE 1:1	SHEET 2 OF 4 REV D

LOC	DIST	REV	DESCRIPTION	DATE	OWN	APPD
GP	00		SEE SHEET 1			



THIS DRAWING IS A CONTROLLED DOCUMENT.		OWN: M. SCHMITT 21JUN2007	STE TE Connectivity	
DIMENSIONS: mm		CHK: M. SCHMITT 21JUN2007	NAME: SFP+ 1X4 CAGE ASSEMBLY PRESS FIT, EXTERNAL EMI SPRINGS	
TOLERANCES UNLESS OTHERWISE SPECIFIED:		APPD: B. WERTZ 21JUN2007	PRODUCT SPEC: 108-2364	
0 PLC	±0.1	APPLICATION SPEC	SIZE: CAGE CODE DRAWING NO: RESTRICTED TO	
1 PLC	±0.1	114-13120	A100779C=2007132	
2 PLC	±0.1	WEIGHT	SCALE: 1:1 SHEET 3 OF 4 REV D	
3 PLC	±0.1	Customer Drawing		
4 PLC	±0.1			
ANGLES	±1°			

LOC	DIST	REVISIONS			
GP	00	REV	DATE	BY	APPV
		1	SEE SHEET 1		



THIS AREA DENOTES COMPONENT KEEP-OUT (TRACES ALLOWED)

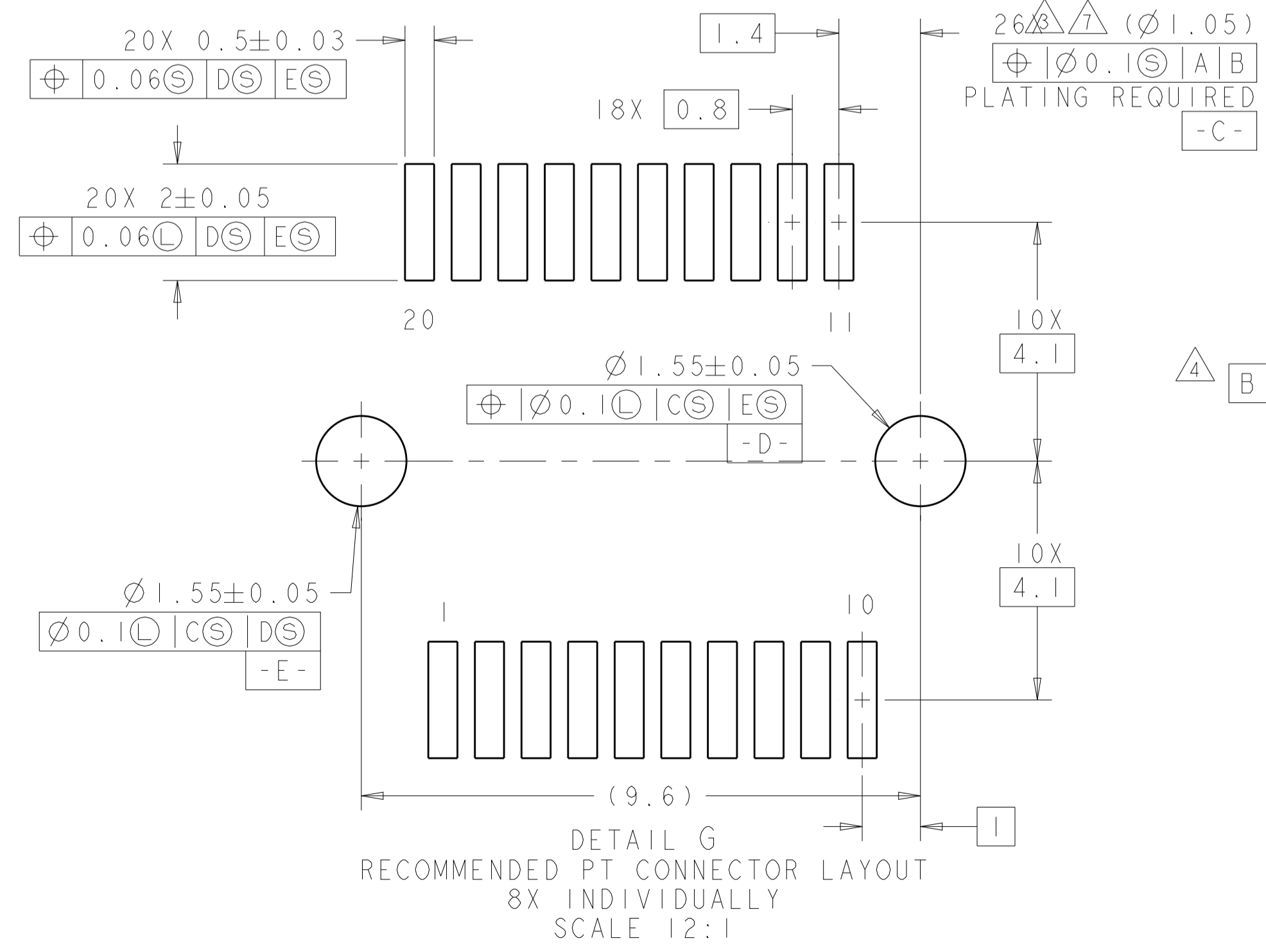
SEE DETAIL G

20X (Ø0.95) PLATING REQUIRED

26X (Ø1.05) PLATING REQUIRED

CROSS-HATCHED AREA DENOTES COMPONENT AND TRACE KEEP-OUT (EXCEPT CHASSIS GROUND)

RECOMMENDED PCB CONFIGURATION WITH KEEP-OUT AREAS BELLY TO BELLY APPLICATIONS



THIS DRAWING IS A CONTROLLED DOCUMENT.		DWN: M. SCHMITT 21JUN2007		TE Connectivity NAME: SFP+ 1X4 CAGE ASSEMBLY PRESS FIT, EXTERNAL EMI SPRINGS	
DIMENSIONS: mm		CHK: M. SCHMITT 21JUN2007			
TOLERANCES UNLESS OTHERWISE SPECIFIED:		APV: B. WERTZ 21JUN2007		PRODUCT SPEC: 108-2364	
0 PLC ±0.1		APV: B. WERTZ 21JUN2007		APPLICATION SPEC: 114-13120	
1 PLC ±0.1		APV: B. WERTZ 21JUN2007		WEIGHT: -	
2 PLC ±0.1		APV: B. WERTZ 21JUN2007		SCALE: 1:1	
3 PLC ±0.1		APV: B. WERTZ 21JUN2007		SHEET 4 OF 4	
4 PLC ±0.1		APV: B. WERTZ 21JUN2007		REV D	
ANGLES ±0.1		APV: B. WERTZ 21JUN2007		Customer Drawing	
FINISH: ±1°		APV: B. WERTZ 21JUN2007		A100779C=2007132	