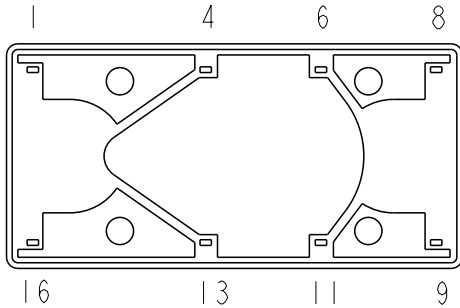
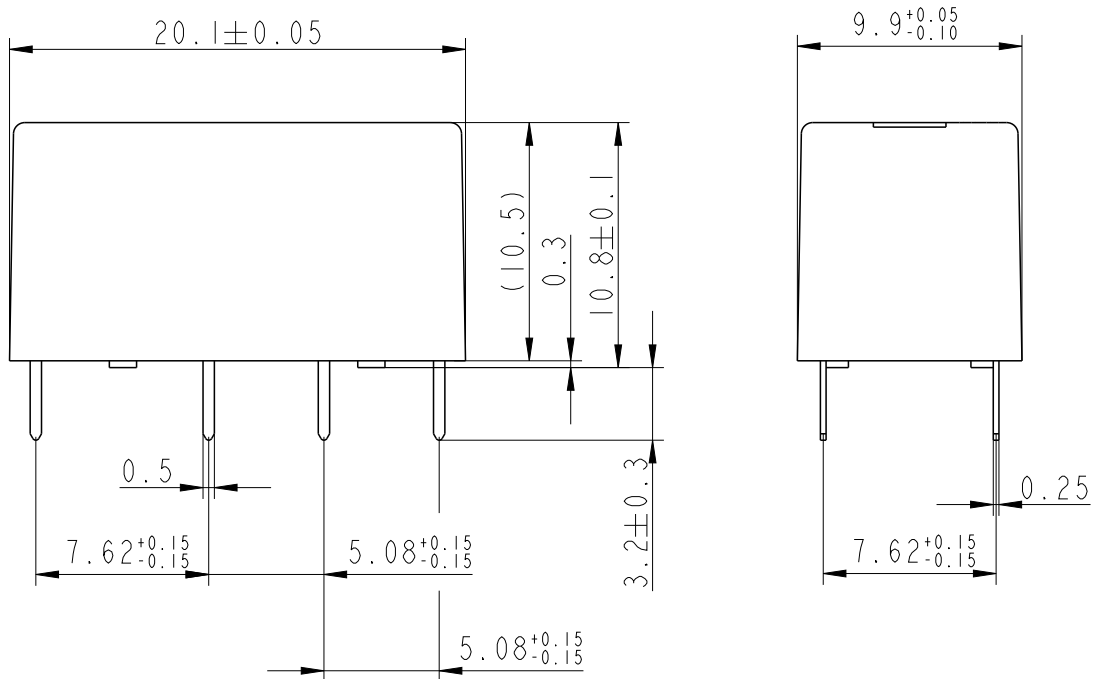


LOC	DIST	REVISIONS					
		P	LTR	DESCRIPTION	DATE	DWN	APVD
HJ	-		A4	Change C23303-A105-A1-*-27 to C-1393792-2	05May2004	MV	HD
			A5	change marking	28Jul2006	UKo	HD
			A6	Revised by ECO-11-005150	23Mar2011	RK	HMR
			A7	Revised relay dimensions	06Sep2012	MV	PH



Relay - bottom view



**AXICOM**
  
  
**D2n**
  
  
**zzV DC**
  
  
**CRAUS**
  
**V23105-A5xxx-A201**

xxx = Relay type  
 zz = nominal voltage  
 YYWW = Date code

alias C23303-A105-A1-\*-27

RELEASED FOR PUBLICATION

ALL RIGHTS RESERVED.

THIS DRAWING IS UNPUBLISHED.

BY -

© COPYRIGHT

DIMENSIONS: mm	DWN MV10189	05May2004	MATERIAL	-	FINISH	-
	CHK HD9121	05May2004	 TE Connectivity			
TOLERANCES UNLESS OTHERWISE SPECIFIED: DIN 7168-m	APVD HD9121	05May2004				
0 PLC ±	PRODUCT SPEC	-	NAME D2n Relays Dimensions			
1 PLC ±	APPLICATION SPEC	-	SIZE	CAGE CODE	DRAWING NO	RESTRICTED TO
2 PLC ±			A4	00779	C-1393792-2	-
3 PLC ±	WEIGHT	-	CUSTOMER DRAWING			SCALE
4 PLC ±						3:1
ANGLES ±						SHEET
						1
						OF
						1
						REV
						A7