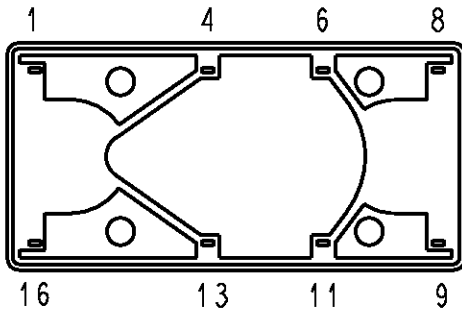
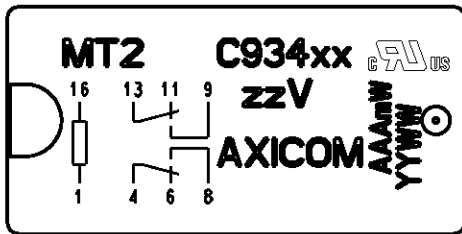
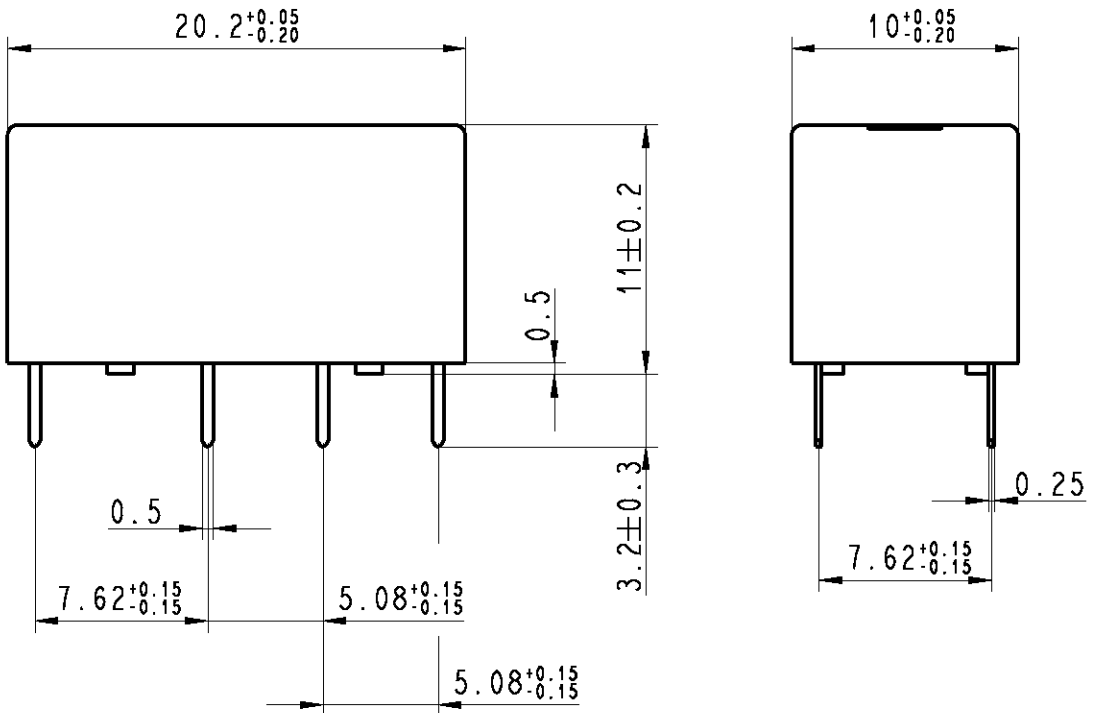


LOC	DIST	REVISIONS					
HJ	-	P	LTR	DESCRIPTION	DATE	DWN	APVD
		A6		REVISED PER ECO-11-005150	25MAR11	RK	HMR



Relay - bottom view



xx = Relay type
 zz = nominal voltage
 AAA = power
 YYWW = Date code

DRAWING ALIAS C93400-599-Dok03

RELEASED FOR PUBLICATION

ALL RIGHTS RESERVED.

THIS DRAWING IS UNPUBLISHED.

© COPYRIGHT BY -

DIMENSIONS: mm	DWN	28Jun2004	MATERIAL	FINISH			
	Vyskocil		-	-			
TOLERANCES UNLESS OTHERWISE SPECIFIED: DIN 7168-m	CHK	28Jun2004	TE Connectivity				
	HD 9121						
0 PLC ±- 1 PLC ± 2 PLC ± 3 PLC ± 4 PLC ± ANGLES ±-	APVD	28Jun2004	NAME MT2-Relay Dimensions				
	HD 9121						
	PRODUCT SPEC	-	SIZE	CAGE CODE	DRAWING NO	RESTRICTED TO	
	APPLICATION SPEC	-	A4	00779	C-1462000-2	-	
WEIGHT	-	CUSTOMER DRAWING		SCALE	3:1	SHEET 1 OF 1	REV A6