

# Customer Information Sheet

DRAWING No.: M80-828XXXX

SHEET 2 OF 2

IF IN DOUBT - ASK

©

NOT TO SCALE

THIRD ANGLE PROJECTION

ALL DIMENSIONS IN mm

**SPECIFICATIONS:**

**MATERIAL:**  
 MOULDING = POLYAMIDE 46 UL94V-0, BLACK  
 CONTACTS = PHOSPHOR BRONZE  
 LATCHES - BERYLLIUM COPPER

**FINISH:**  
**CONTACTS:**  
 22 = 0.75µ GOLD ON CONTACT AREA,  
 3.0µ 90/10 TIN/LEAD ON TAILS  
 42 = 0.75µ GOLD ON CONTACT AREA,  
 3.0µ 100% TIN OVER NICKEL ON TAILS  
 45 = 0.75µ GOLD ALL OVER  
 LATCH = 1.25µ NICKEL

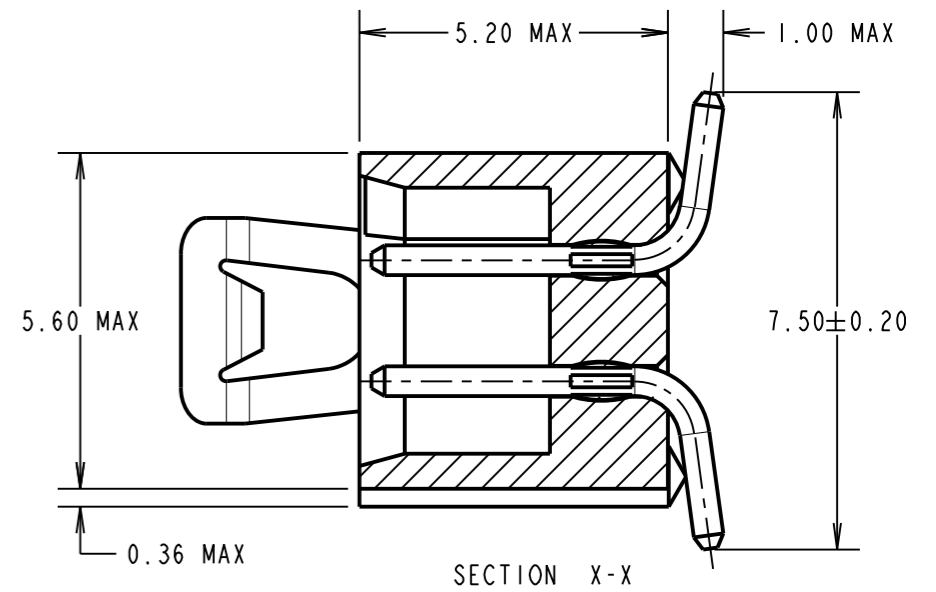
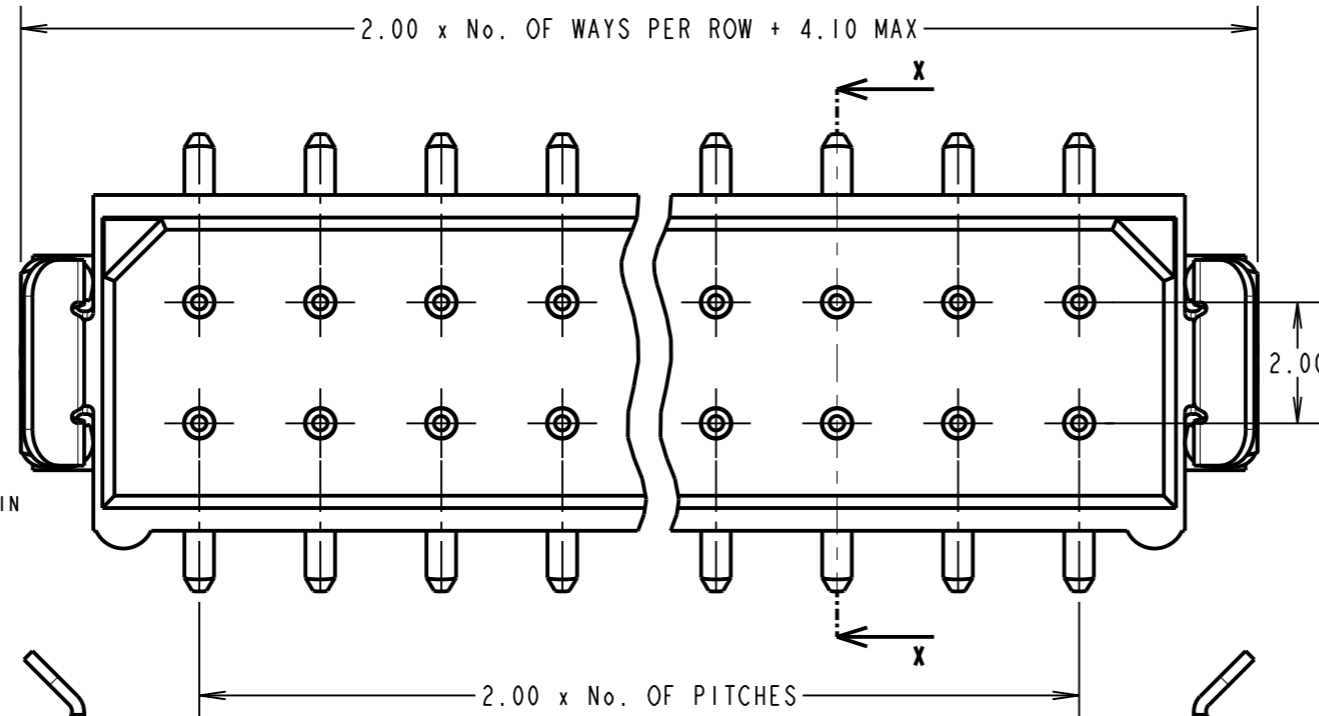
**ELECTRICAL:**  
 CURRENT RATING AT 25°C = 3.0A MAX  
 CURRENT RATING AT 85°C = 2.2A MAX  
 WORKING VOLTAGE = 120V AC/DC  
 VOLTAGE PROOF = 360V AC/DC  
 CONTACT RESISTANCE (INITIAL) = 20 mΩ MAX  
 CONTACT RESISTANCE (AFTER CONDITIONING) = 25 mΩ MAX  
 INSULATION RESISTANCE (INITIAL) = 1,000 MΩ MIN  
 INSULATION RESISTANCE (AFTER CONDITIONING) = 100 MΩ MIN

**MECHANICAL:**  
 DURABILITY = 500 OPERATIONS

**ENVIRONMENTAL:**  
 TEMPERATURE RANGE = -55°C TO +125°C

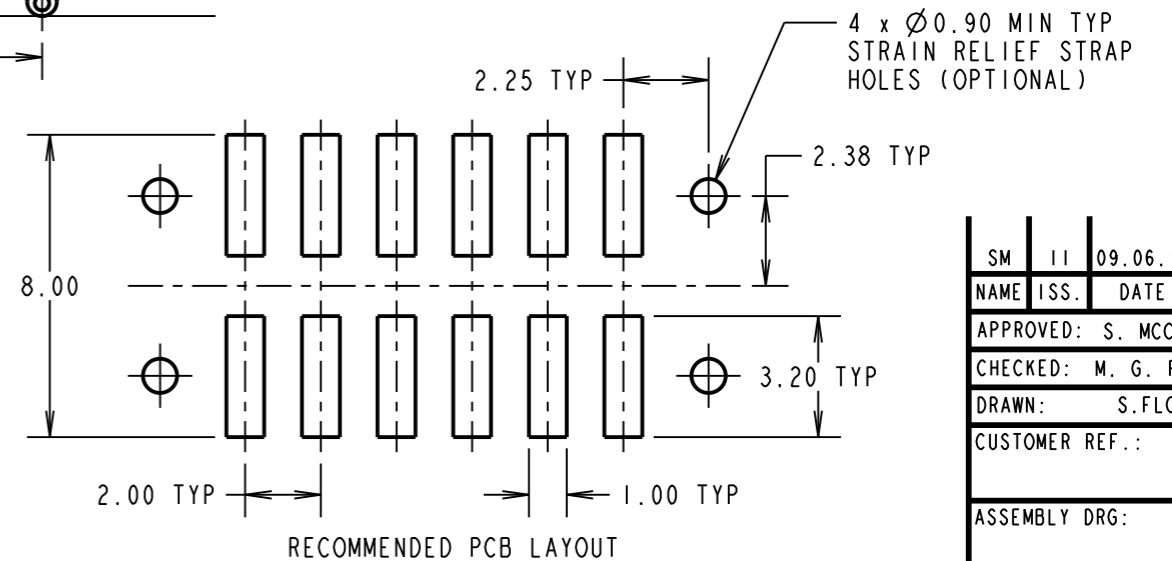
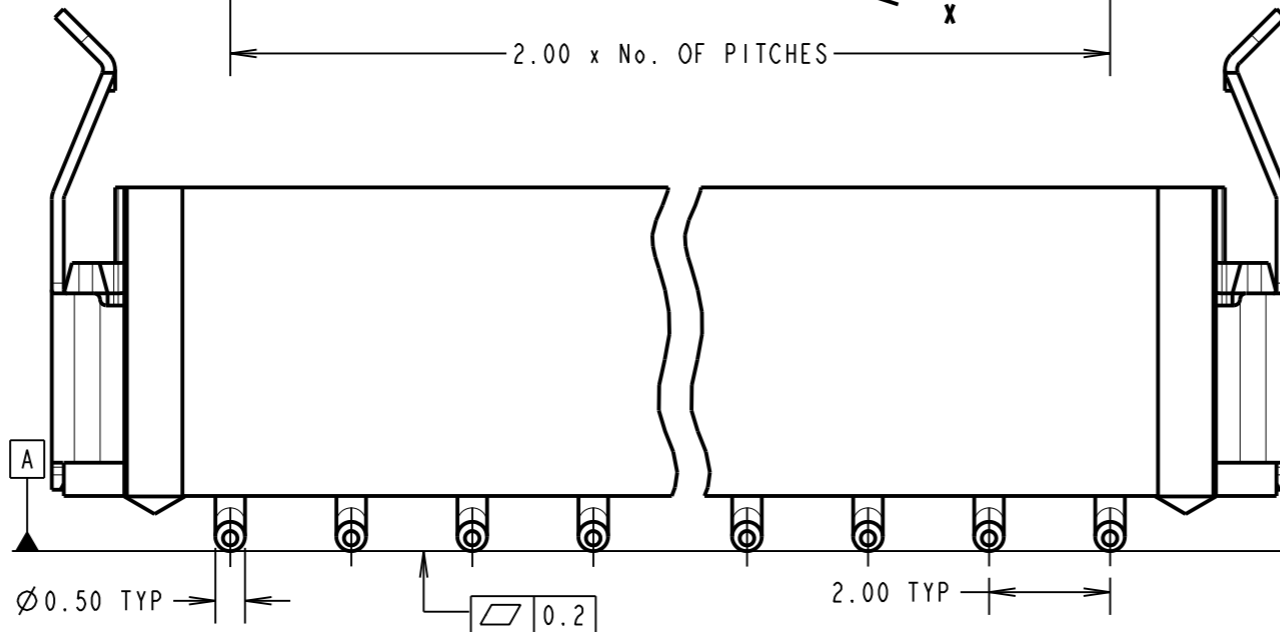
**PACKING:**  
 TUBE

FOR COMPLETE SPECIFICATION, SEE COMPONENT SPECIFICATION C005XX (LATEST ISSUE)



**NOTES:**

1. 2-OFF STRAIN-RELIEF STRAPS M80-0030003 MAY BE USED WITH THIS CONNECTOR.



**ORDER CODE:**  
**M80-828XXXX**

No. OF WAYS \_\_\_\_\_  
 04, 06, 08, 10, 12, 14,  
 16, 18, 20, 26, 34, 44

**FINISH**  
 22 - SELECTIVE GOLD + TIN/LEAD  
 42 - SELECTIVE GOLD + 100% TIN  
 45 - GOLD

SM	11	09.06.11	10832
NAME	ISS.	DATE	C/NOTE
APPROVED: S. MCCULLAGH			
CHECKED: M. G. PLESTED			
DRAWN: S.FLOWER			
CUSTOMER REF.:			
ASSEMBLY DRG:			

<b>HARWIN</b>			THIS DRAWING AND ANY INFORMATION OR DESCRIPTIVE MATTER SET OUT HEREON ARE CONFIDENTIAL AND COPYRIGHT PROPERTY OF THE HARWIN GROUP AND MUST NOT BE DISCLOSED, LOANED, COPIED OR USED FOR MANUFACTURING, TENDERING OR FOR ANY OTHER PURPOSE WITHOUT THEIR WRITTEN PERMISSION.	TOLERANCES X. = ±1mm X.X = ±0.25mm X.XX = ±0.10mm X.XXX = ±0.01mm  ANGLES = ±5° UNLESS STATED	MATERIAL: M80-826XXXX (SEE ABOVE)	TITLE: DATAMATE DIL VERTICAL SMT PLUG ASSEMBLY - LATCHED
HARWIN USA TEL: 603 893 5376 FAX: 603 893 5396 mis@harwin.com	HARWIN Europe (UK) TEL: 023 9231 4545 FAX: 023 9231 4590 mis@harwin.co.uk	HARWIN Asia TEL: +65 6 779 4909 FAX: +65 6 779 3868 mis@harwin.com.sg		FINISH: SEE ABOVE S/AREA: mm <sup>2</sup>	DRAWING NUMBER: <b>M80-828XXXX</b>	SHT 2 OF 2