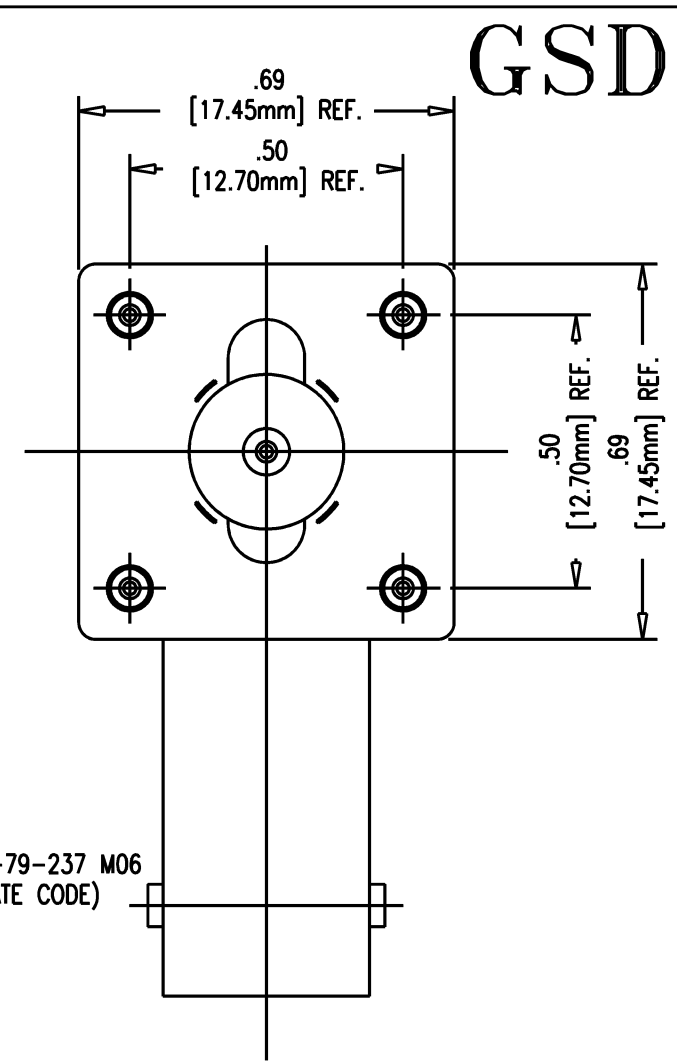
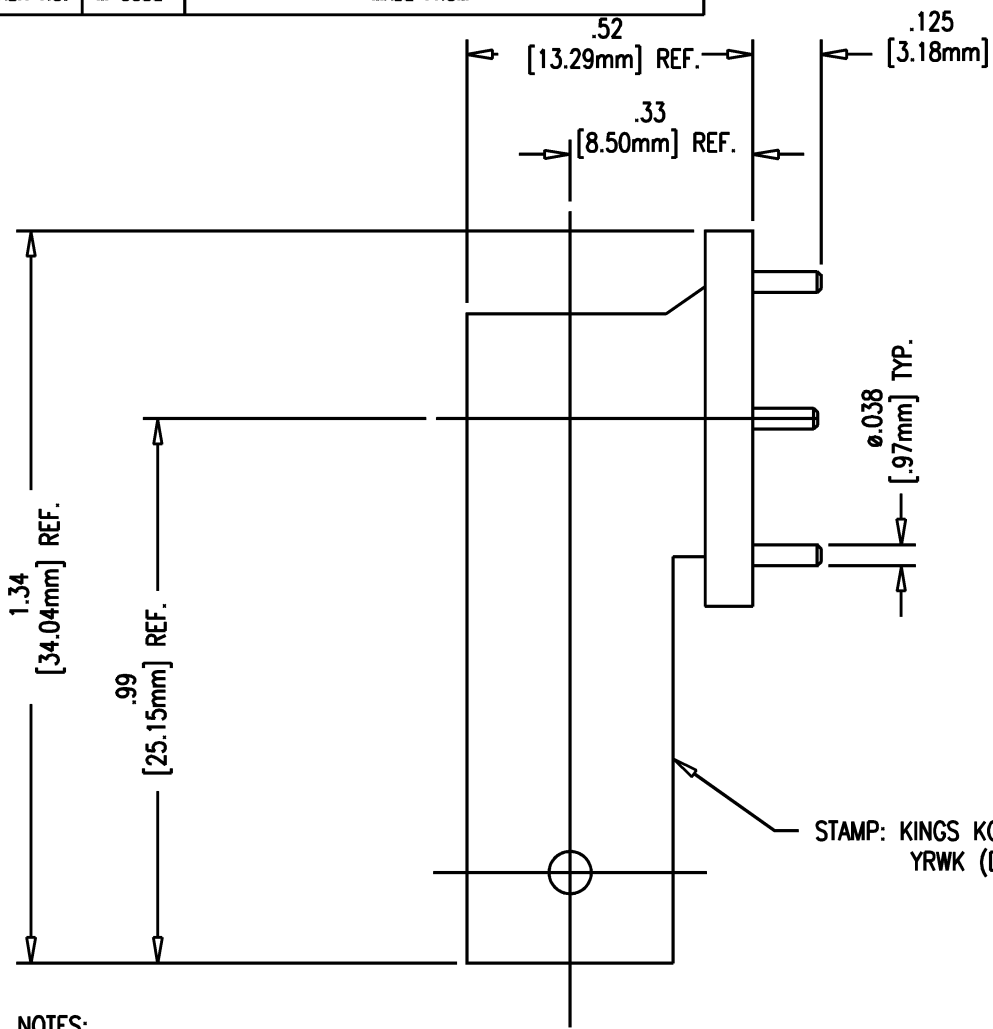


DASH NO.	M CODE	MADE FROM
----------	--------	-----------



STAMP: KINGS KC-79-237 M06
YRWK (DATE CODE)

- NOTES:
1. MAX. PC BOARD THICKNESS - 1/16"
 2. MATERIALS:
INSULATORS-TEFLON, ASTM-D-1457
BODY-ZINC ALLOY, ZAMAK 7
CENTER CONTACT-BER. COP., ASTM-B-196, C17300
MOUNTING PINS AND RETAINING RING-BRASS, ASTM-B-16
 3. FINISHES:
CENTER CONTACT AND MOUNTING PINS-SILVER PLATE, QQ-S-365
BODY AND RETAINING RING-BRIGHT NICKEL PLATE.

GSD

GSD

KC-79-237 M06

REVISIONS

ISSUE	CHANGES
0	ER 23963 JEP 11/03/82
1	CN 38677 C BDH 10/04/02
2	CN 38696 C BDH 10/21/02

SCALE 4:1

APPROX SURFACE AREA

USED ON

REF: APOLLO COMP, INC. PO NO. 5849

BNC ANGLE, P.C.
RECEPTACLE

DRAWN JEP DATE 11/03/82

DESIGN DATE

APPR. LI DATE 11/03/82



KC-79-237 M06