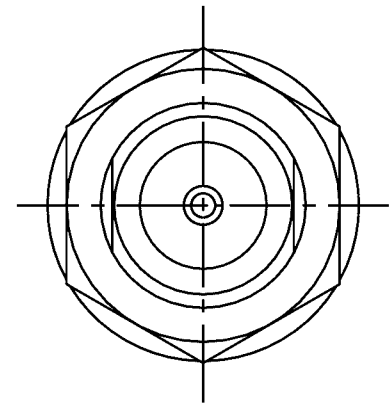
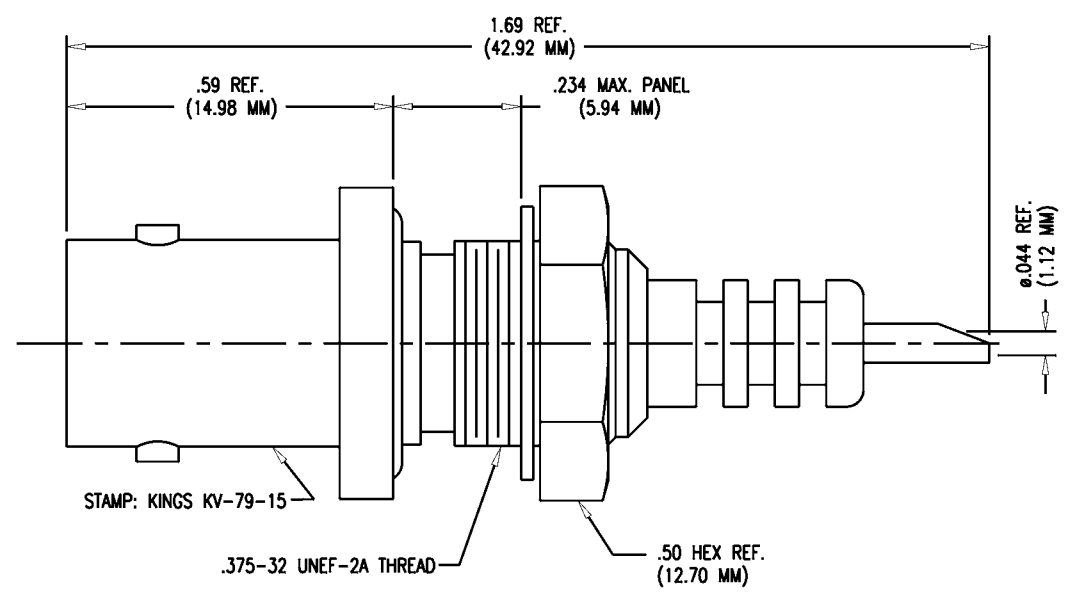


SD

KV-79-15

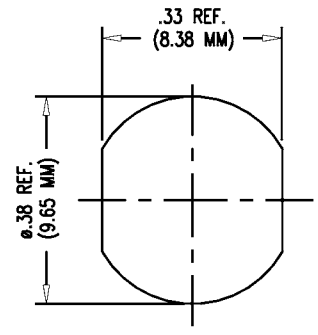
REVISIONS

ISSUE	CHANGES
6	CN 37589 C REDRAWN JW 03/03/98
7	CN 37691 E HVN 10/05/98



NOTES:

- MATERIALS:**  
 CENTER CONTACT F: BERYLLIUM COPPER, ASTM-B-196.  
 LOCKWASHER: PHOSPHOR BRONZE, QQ-B-750.  
 INSULATORS: TEFLON, ASTM-D-1457.  
 O-RING: SYNTHETIC RUBBER PER MIL-P-5516.  
 ALL OTHER METAL PARTS: BRASS, ASTM-B16.
- FINISHES:**  
 CENTER CONTACT: SILVER PLATE PER QQ-P-365.  
 ALL OTHER METAL PARTS: KINGS TARNISH RESISTANT FINISH (TR-5).
- ELECTRICAL CHARACTERISTICS:**  
 OPERATING VOLTAGE: 3500 V AC.  
 5000 V DC.



MOUNTING HOLE

KV7915S

SCALE 4:1	
APPROX SURFACE AREA	
USED ON	
REF:	
MHV BULKHEAD RECEPTACLE	
DRAWN SD	DATE 09/08/86
DESIGN MJB	DATE 09/08/86
APPR.	DATE

**KINGS**  
ELECTRONICS CO., INC.  
TUCKAHOE, NEW YORK 10707

KV-79-15

SD