

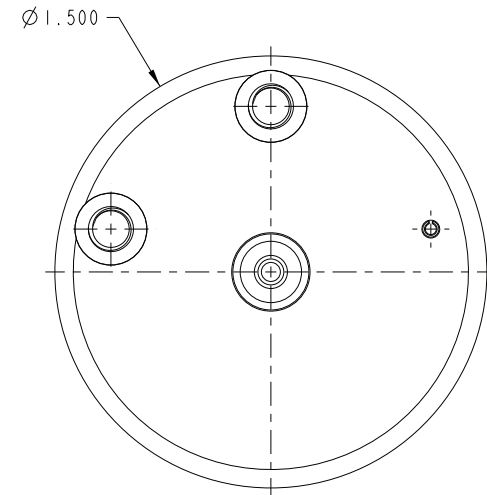
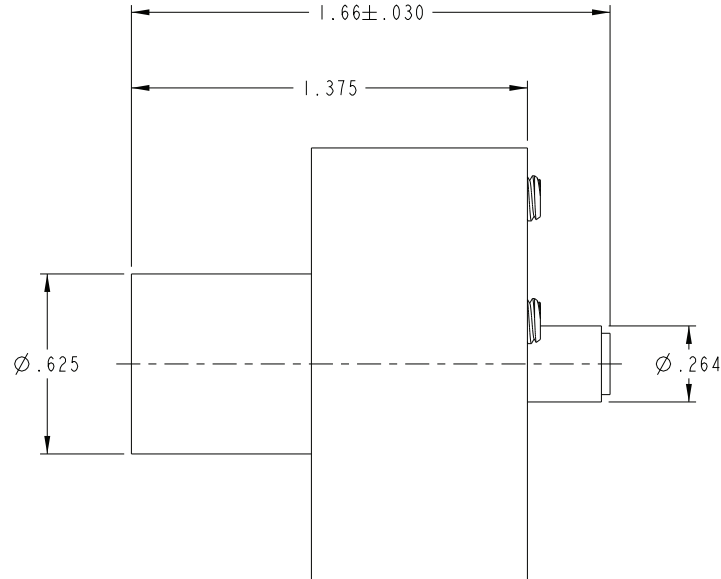
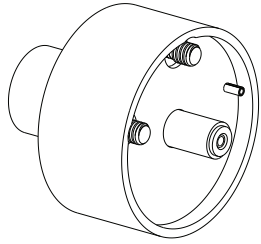
1

2

3

4

ZONE	REV	ECO	DESCRIPTION	APPROVER	DATE
	B	16788		L. MEIER	11/17/08
	C	53912		T. KOHLER	12/7/11



1. FINISH: BODY: CLEAR ANODIZE  
LOCATOR: SILICONE PROTECTANT

	MODEL NO.			
	CAGE CODE 14949		TITLE POSITIONER, SOCKET CONTACT, 70 SERIER FULL CRIMP	
<small>THIS PROPRIETARY DOCUMENT IS PROPERTY OF EMERSON NETWORK POWER CONNECTIVITY SOLUTIONS. IT IS CONFIDENTIAL IN NATURE. NON-TRANSFERABLE, AND ISSUED WITH A CLEAR UNDERSTANDING THAT IT IS NOT FACED OR COPIED WITHOUT PERMISSION AND IS RETURNABLE UPON DEMAND.</small>	UNLESS OTHERWISE SPECIFIED UNITS: INCH	3RD ANGLE PROJECTION	DRAWING NO.	MATERIAL
	.XX ± .02 .XXX ± .010 ANGLE ± 1°		<small>DRAWN BY</small> C. WALLACE <small>DATE</small> 1/30/12 <small>APPROVED BY</small> T. KOHLER <small>DATE</small> 1/31/12	<small>REV.</small> C <small>FINISH</small> SCALE 3:1 <small>SHEET 1 OF 3</small>
		SIZE C	DO NOT SCALE DRAWING	SCALE 3:1

1

2

3

4