

SH. 1  
OF 1

CAT NO

823BZ

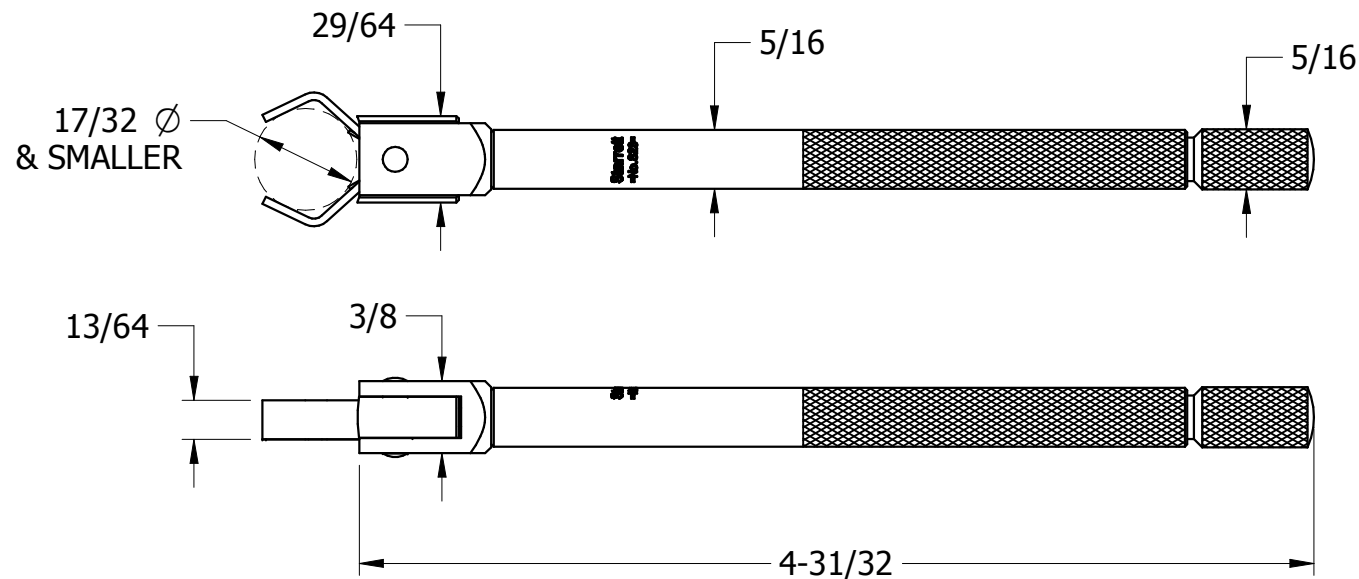
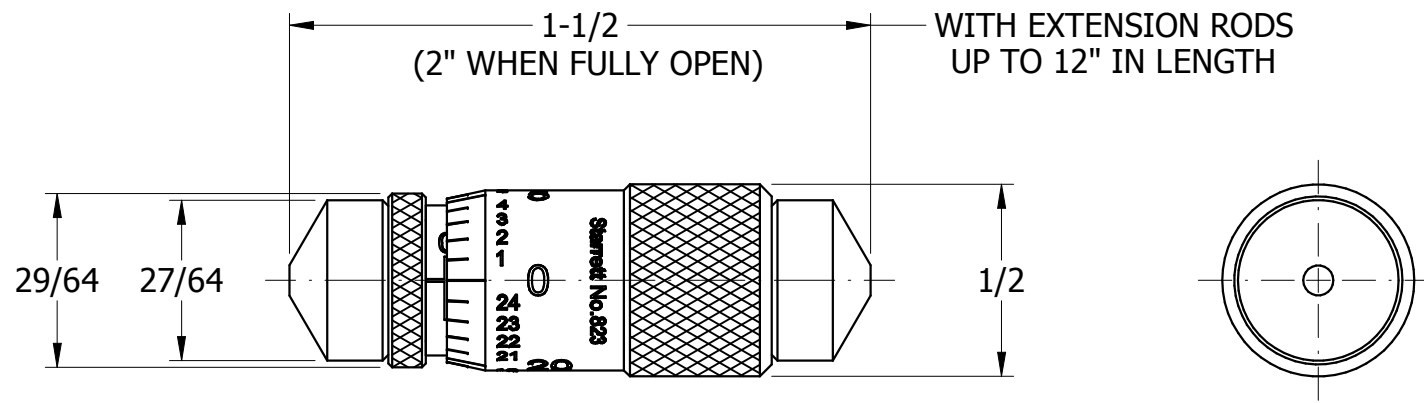
CUSTOMER DIMENSIONS

DO NOT  
SEPARATE  
PRINT FROM  
WORK

LOT NO

OPER

TOOLS



FRACTIONAL TOLERANCE  $\pm 1/64$  UNLESS OTHERWISE NOTED


REV	DESCRIPTION	DATE	BY
-----	-------------	------	----

DR	KPH	CHK	DATE
----	-----	-----	------

INSIDE MICROMETER  
CALIPER ASSEMBLY  
W/ 1/2" TRAVEL

THE L.S. STARRETT CO.  
ATHOL, MASS.