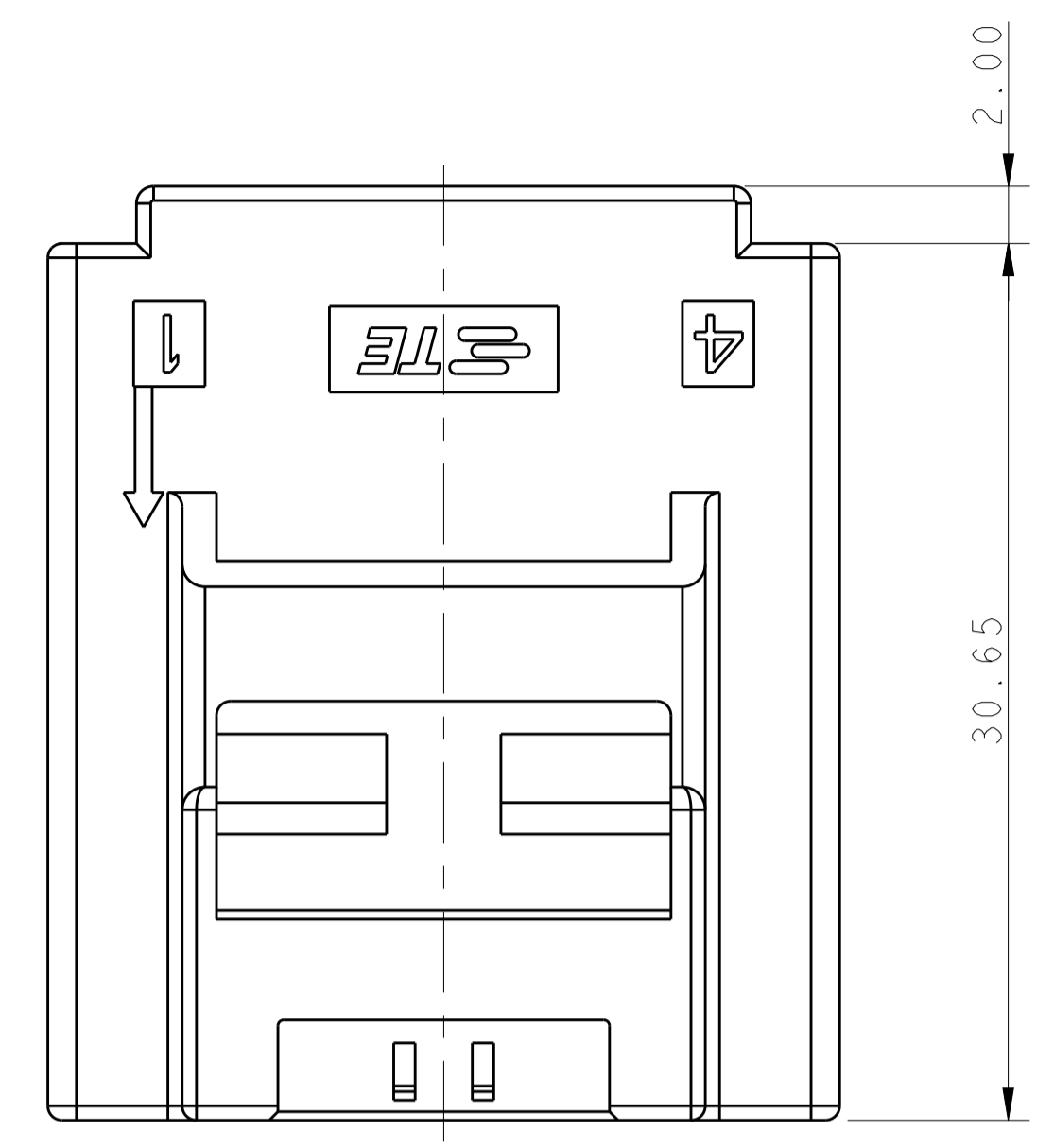
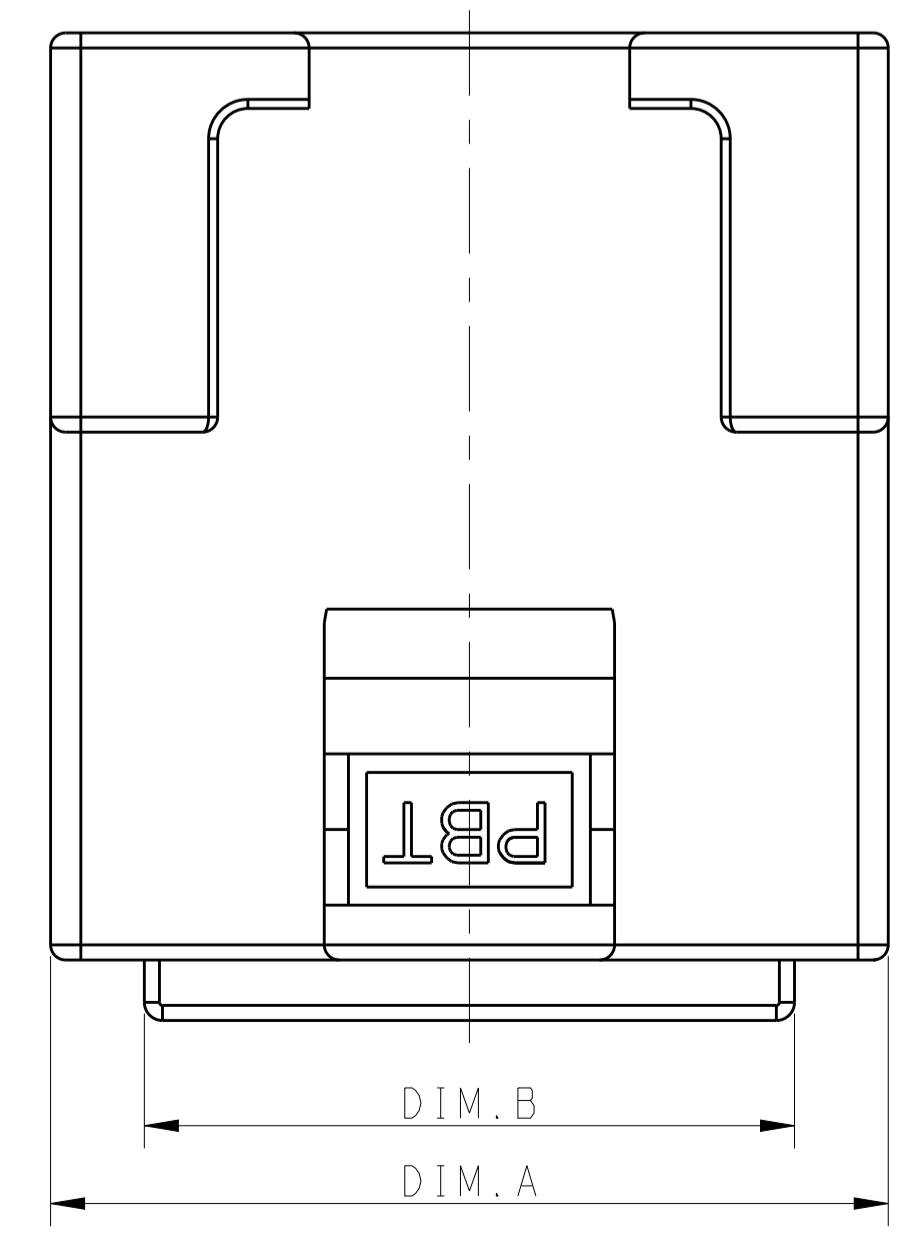
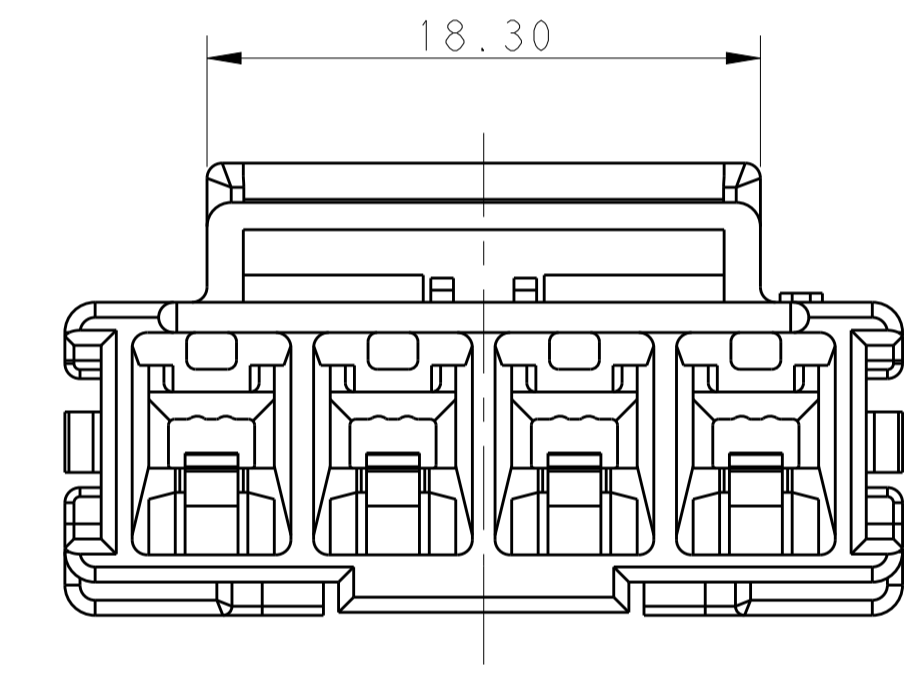
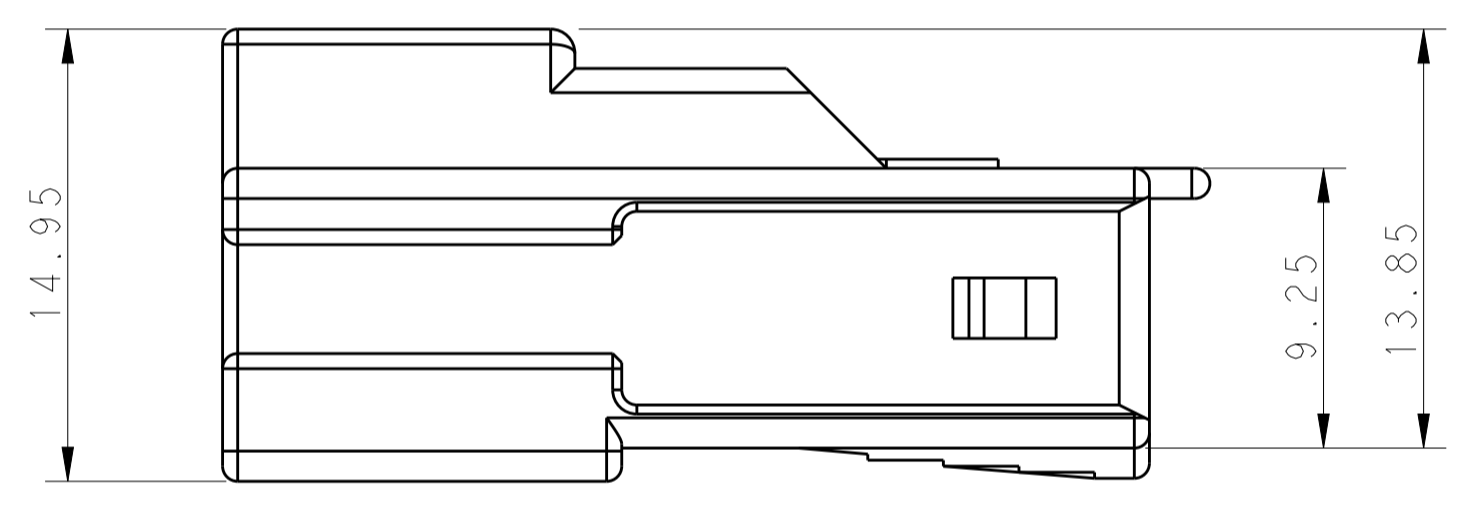
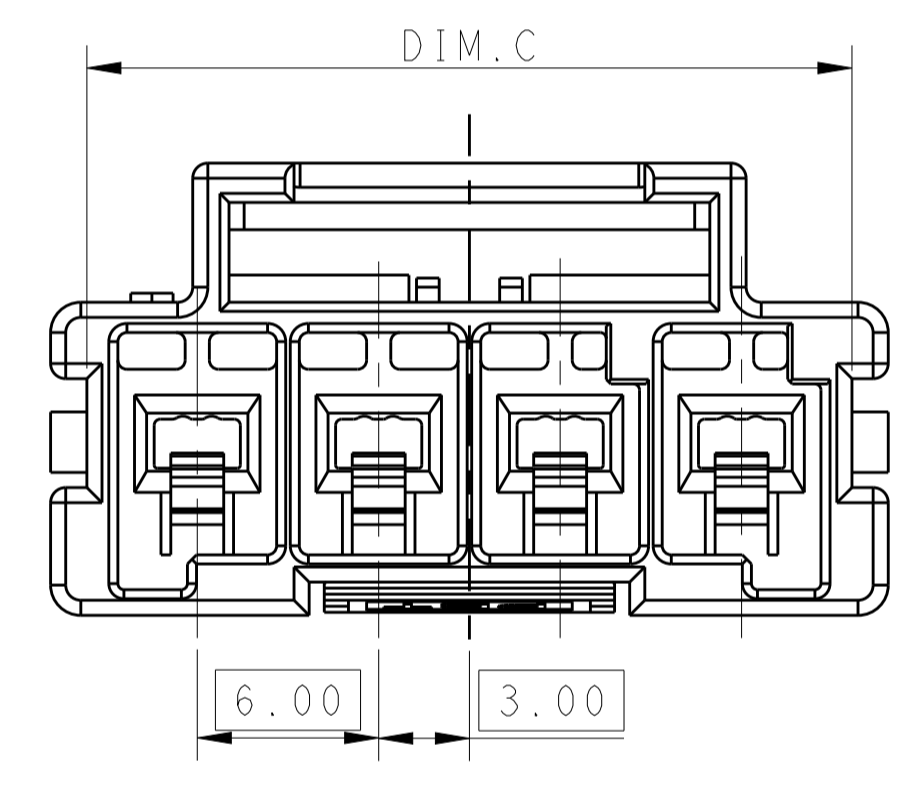


LOC		DIST		REVISIONS			
P	LTN	DESCRIPTION	DATE	DWN	APVD		
A		RELEASE DRAWING	04FEB2013	T.W	YH.M		
A1		ECR-13-005295	26MAR2013	T.W	YH.M		



POS.	DIM.A	DIM.B	DIM.C
1*5	33.70	27.50	31.30
1*4	27.70	21.50	25.30
1*3	21.70	15.50	19.30
1*2	15.70	9.50	13.30

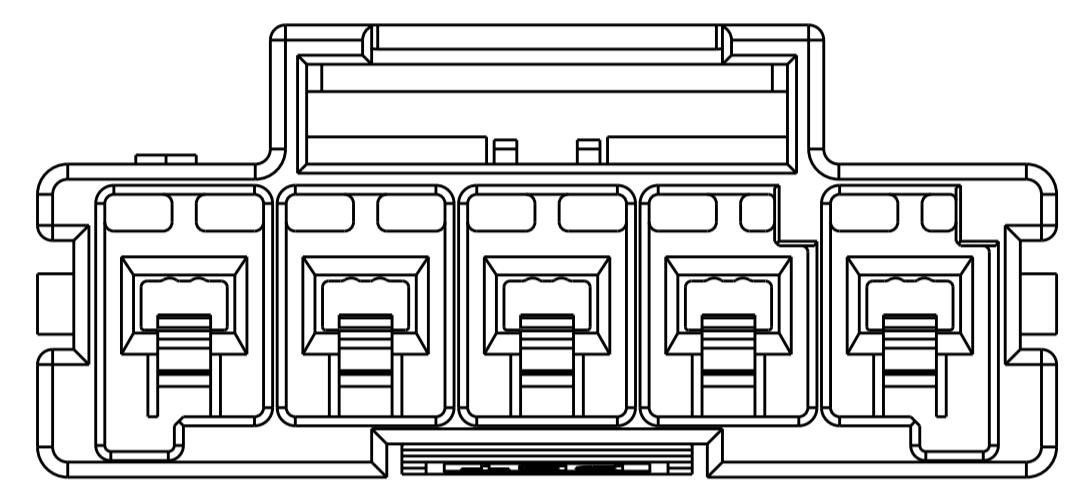
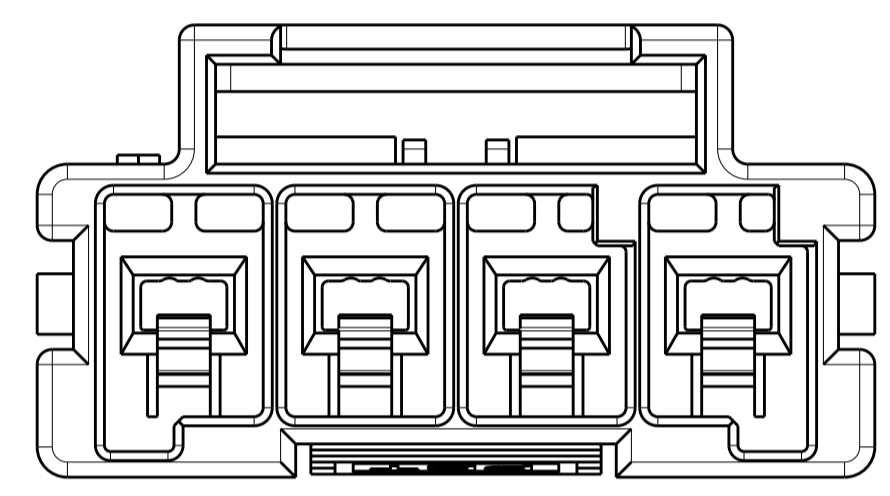
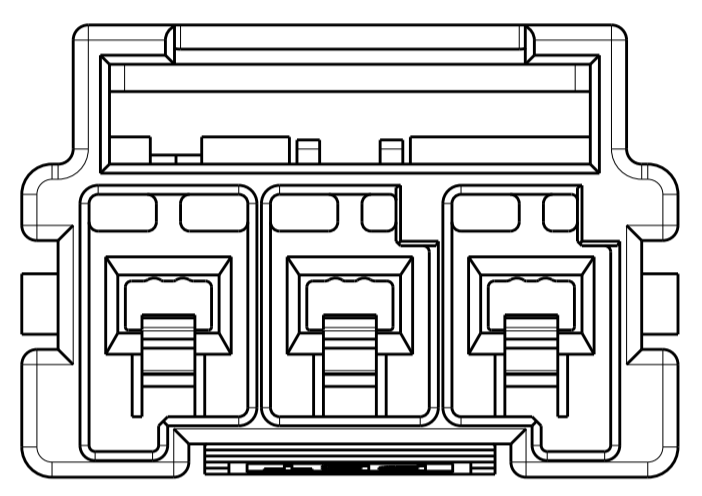
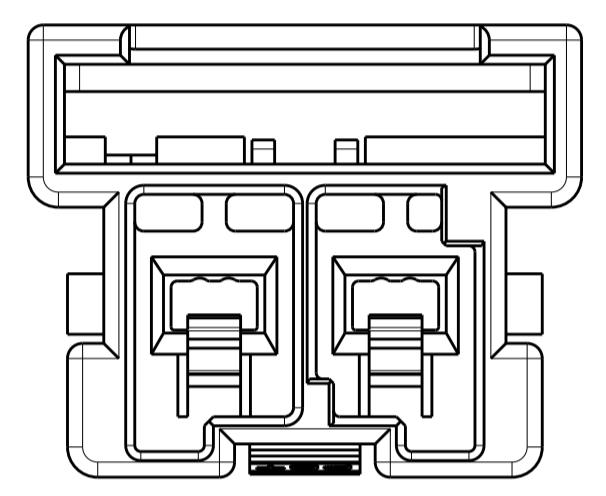
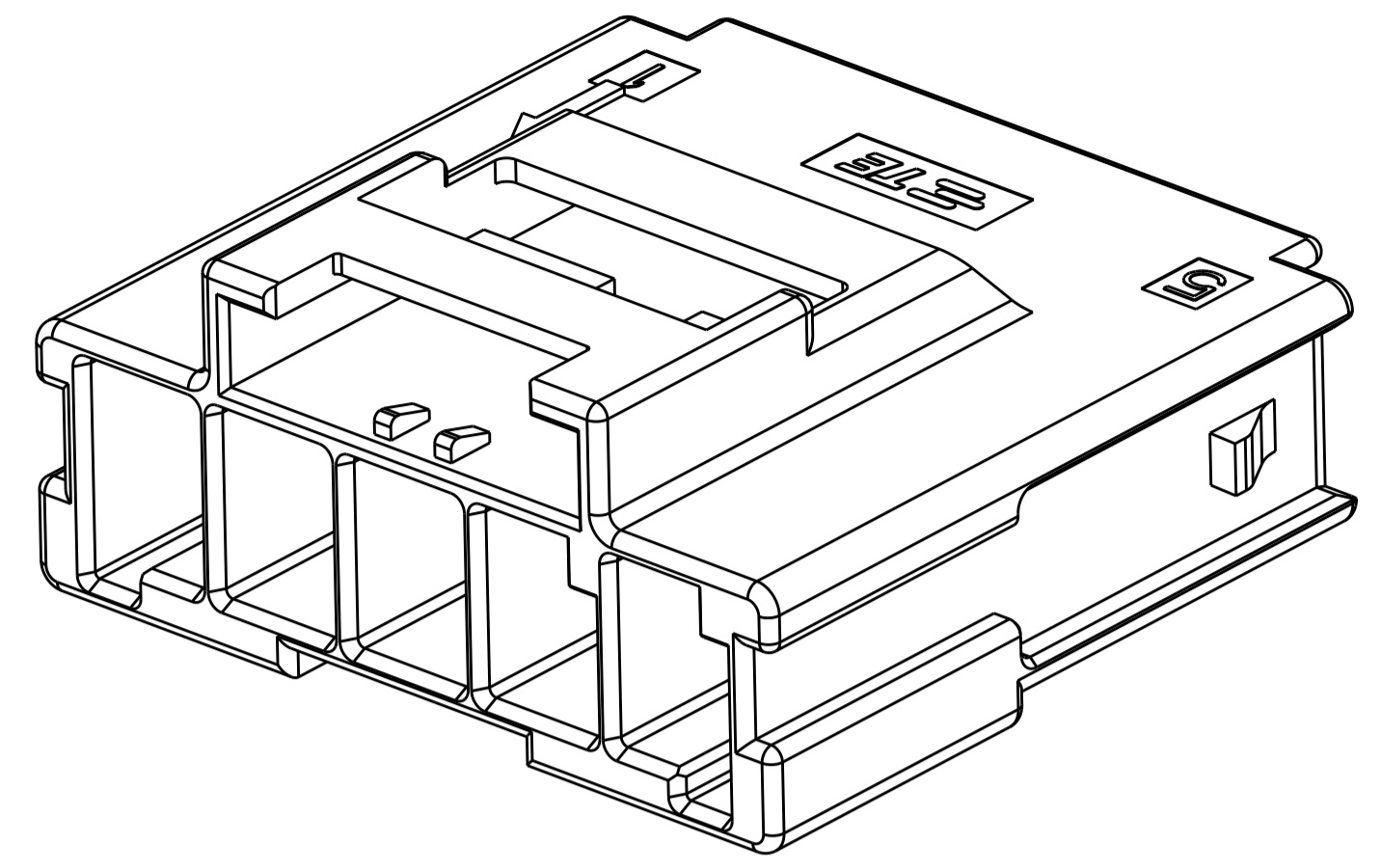
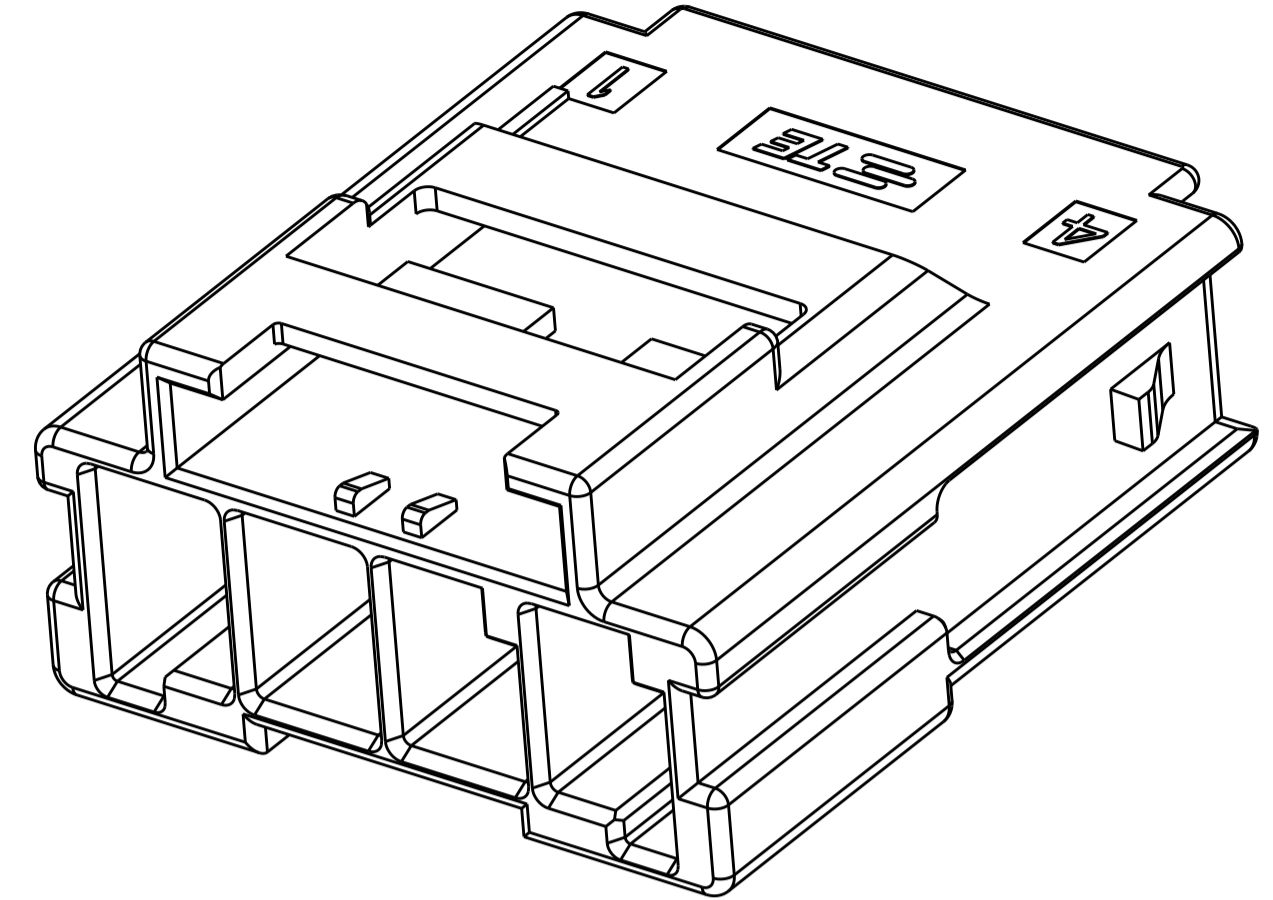
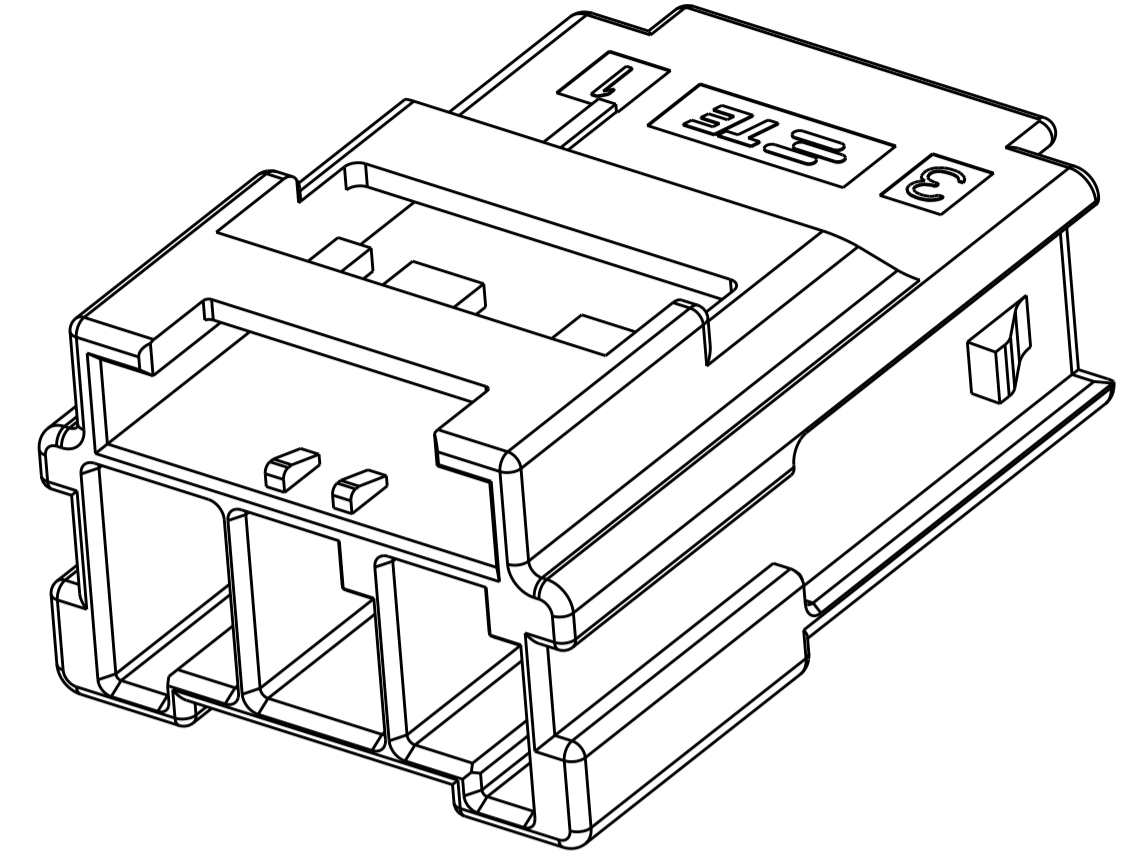
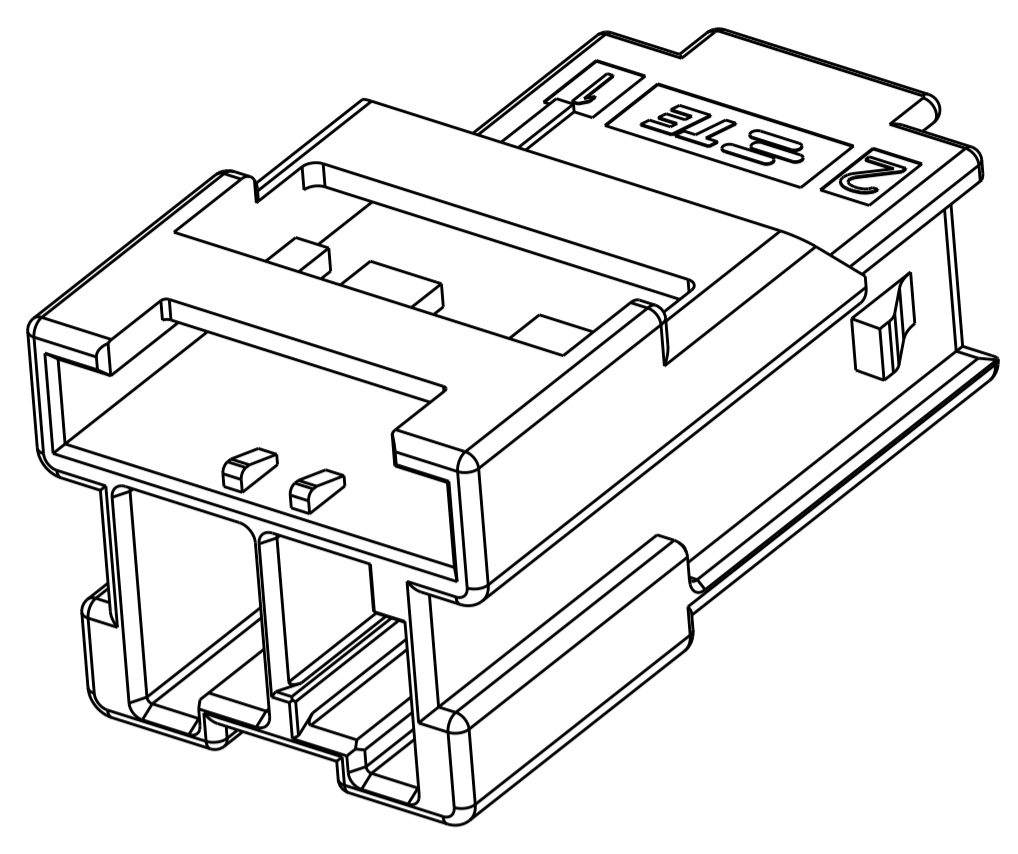


- NOTE
- MATERIAL:
 LEVEL 1:PBT,STANDARD
 KEY A:NATRUAL; KEY B:PURPLE; KEY C:BLUE; KEY D:YELLOW
 LEVEL 2:NYLON,HIGH TEMPERATURE 150°C
 KEY A:LIGHT GREY; KEY B:LIGHT GREY; KEY C:LIGHT GREY; KEY D:LIGHT GREY
 - MATERIAL MARK:
 LEVEL 1:PBT,LEVEL 2:HDT
 - APPLICABLE CONTACT P/N
 TAB CONTACT:1971238/1971780/82/84/86/88-*
 - MATING CONN, P/N
 PLUG HSG:*-1971773-
 DOUBLE LOCK PLATE:*-1971777-*
 - PRODUCT SPEC: 108-106118
 - APPLICATION SPEC:114-106118

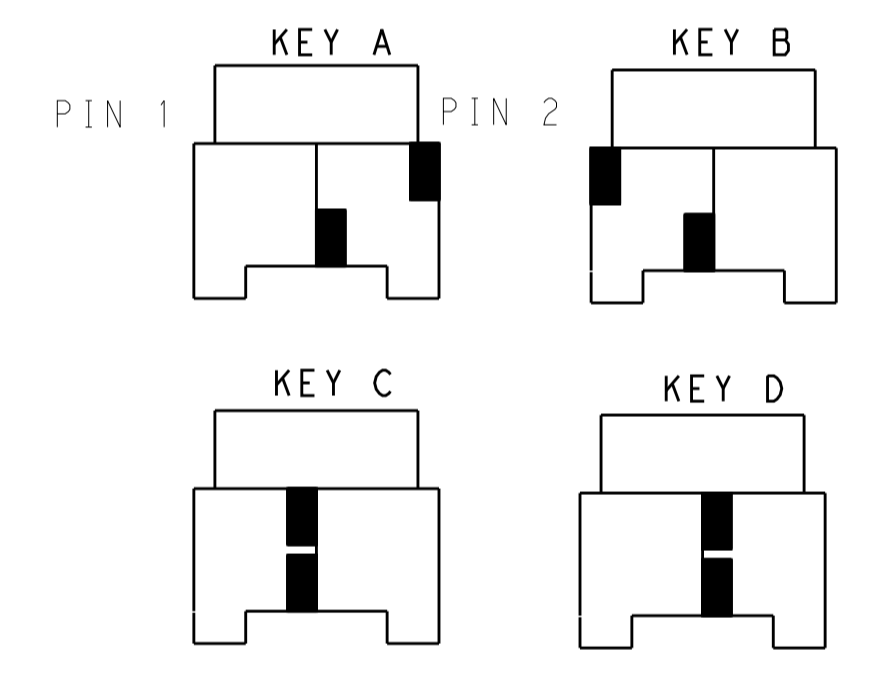
1. This product has not completed validation testing.

THIS DRAWING IS A CONTROLLED DOCUMENT.		DWN TOMMY WU 09JUL2012	TE Connectivity
DIMENSIONS: mm		CHK HAPYE WU 09JUL2012	
TOLERANCES UNLESS OTHERWISE SPECIFIED:		APVD YUHONG MAO 09JUL2012	NAME CAP HOUSING, FREE HANGING, SINGLE ROW POWER TRIPLE LOCK
0 PLC ±	1 PLC ±0.35	PRODUCT SPEC 108-106118	SIZE CAGE CODE DRAWING NO
2 PLC ±0.25	3 PLC ±	APPLICATION SPEC 114-106118	RESTRICTED TO
4 PLC ±	ANGLES ±	WEIGHT	A100779C=1971771
MATERIAL	FINISH	Customer Drawing	SCALE SHEET 1 OF 2 REV A1

LOC		DIST		REVISIONS			
P	LTN	DATE	OWN	APVD	DESCRIPTION	DATE	OWN
-	-	-	-	-	SEE SHEET 1	-	-

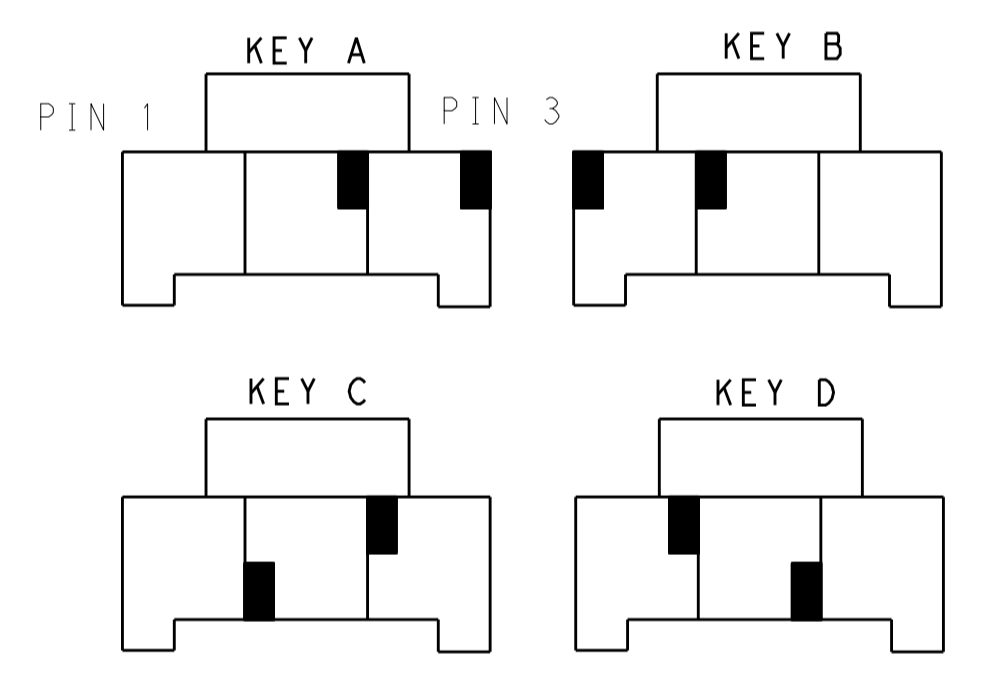


1*2 POSITIONS



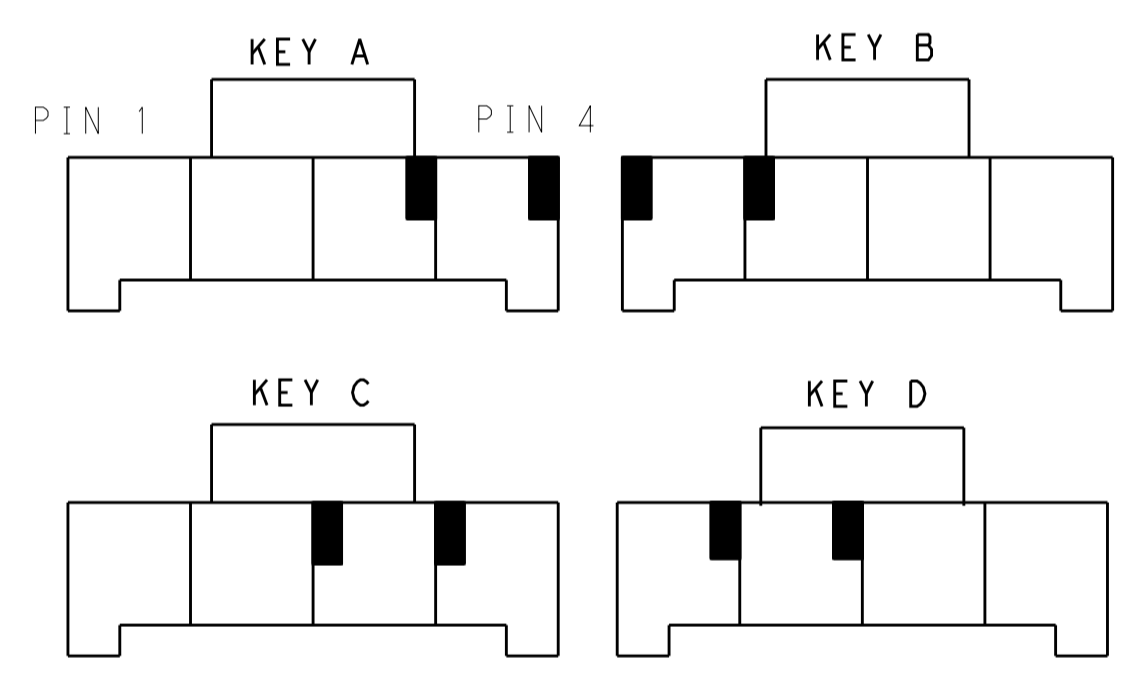
KEYING FOR 1*2 POS.

1*3 POSITIONS



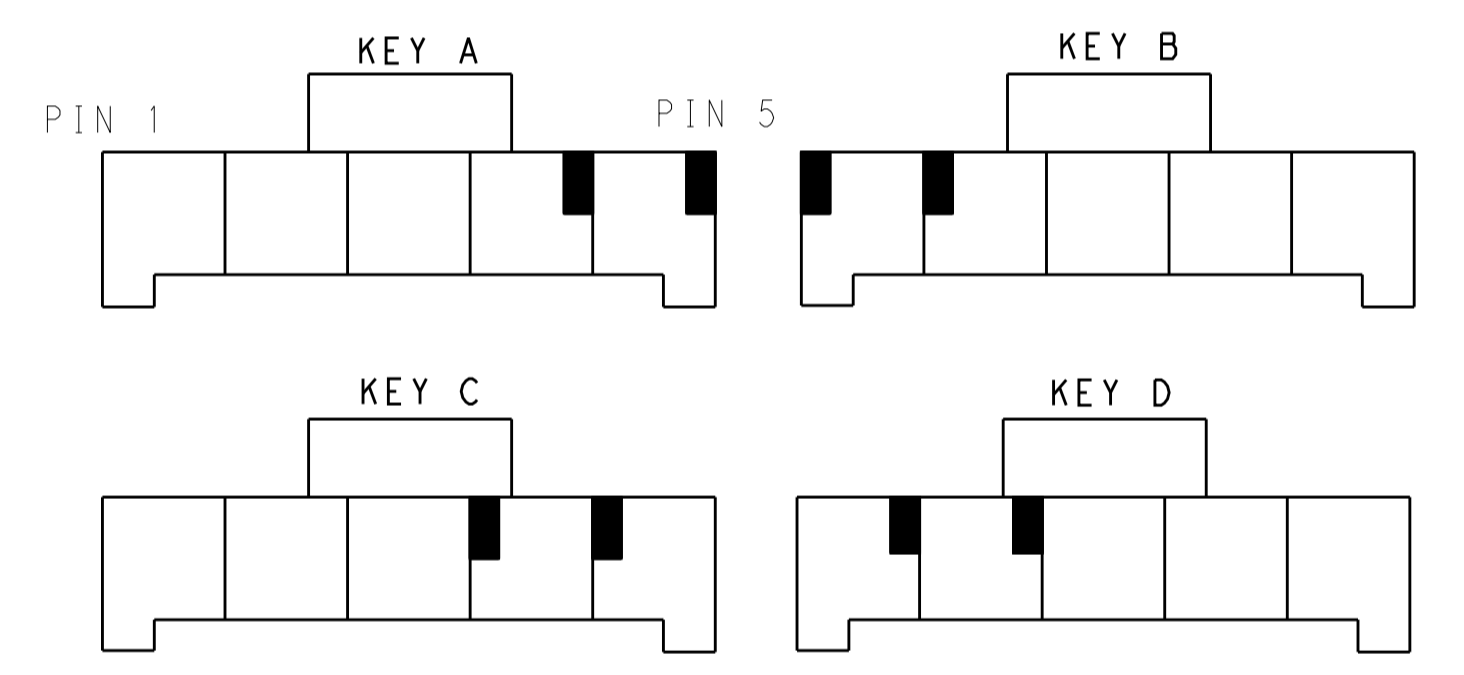
KEYING FOR 1*3 POS.

1*4 POSITIONS



KEYING FOR 1*4 POS.

1*5 POSITIONS



KEYING FOR 1*5 POS.

POS.	MATERIAL	KEY	P/N
1*5	LEVEL 1	KEY A	1-1971771-7
		KEY B	2-1971771-7
		KEY C	3-1971771-7
		KEY D	4-1971771-7
	LEVEL 2	KEY A	5-1971771-7
		KEY B	6-1971771-7
		KEY C	7-1971771-7
		KEY D	8-1971771-7
1*4	LEVEL 1	KEY A	1-1971771-4
		KEY B	2-1971771-4
		KEY C	3-1971771-4
		KEY D	4-1971771-4
	LEVEL 2	KEY A	5-1971771-4
		KEY B	6-1971771-4
		KEY C	7-1971771-4
		KEY D	8-1971771-4

POS.	MATERIAL	KEY	P/N
1*3	LEVEL 1	KEY A	1-1971771-3
		KEY B	2-1971771-3
		KEY C	3-1971771-3
		KEY D	4-1971771-3
	LEVEL 2	KEY A	5-1971771-3
		KEY B	6-1971771-3
		KEY C	7-1971771-3
		KEY D	8-1971771-3
1*2	LEVEL 1	KEY A	1-1971771-2
		KEY B	2-1971771-2
		KEY C	3-1971771-2
		KEY D	4-1971771-2
	LEVEL 2	KEY A	5-1971771-2
		KEY B	6-1971771-2
		KEY C	7-1971771-2
		KEY D	8-1971771-2

THIS DRAWING IS A CONTROLLED DOCUMENT.

DIMENSIONS:	TOLERANCES UNLESS OTHERWISE SPECIFIED:	OWN: TOMMY_WU 09JUL2012	TE Connectivity NAME: CAP HOUSING, FREE HANGING, SINGLE ROW POWER TRIPLE LOCK SIZE: CAGE CODE DRAWING NO: A100779C=1971771 RESTRICTED TO:
mm	0 PLC ±0.35	CHK: HAPYE_WU 09JUL2012	
	2 PLC ±0.25	APVD: YUHWONG_MAO 09JUL2012	
	3 PLC ±	PRODUCT SPEC: 108-106118	
MATERIAL:	FINISH:	APPLICATION SPEC: 114-106118	SCALE: SHEET 2 OF 2
		WEIGHT:	REV: A1
		Customer Drawing	