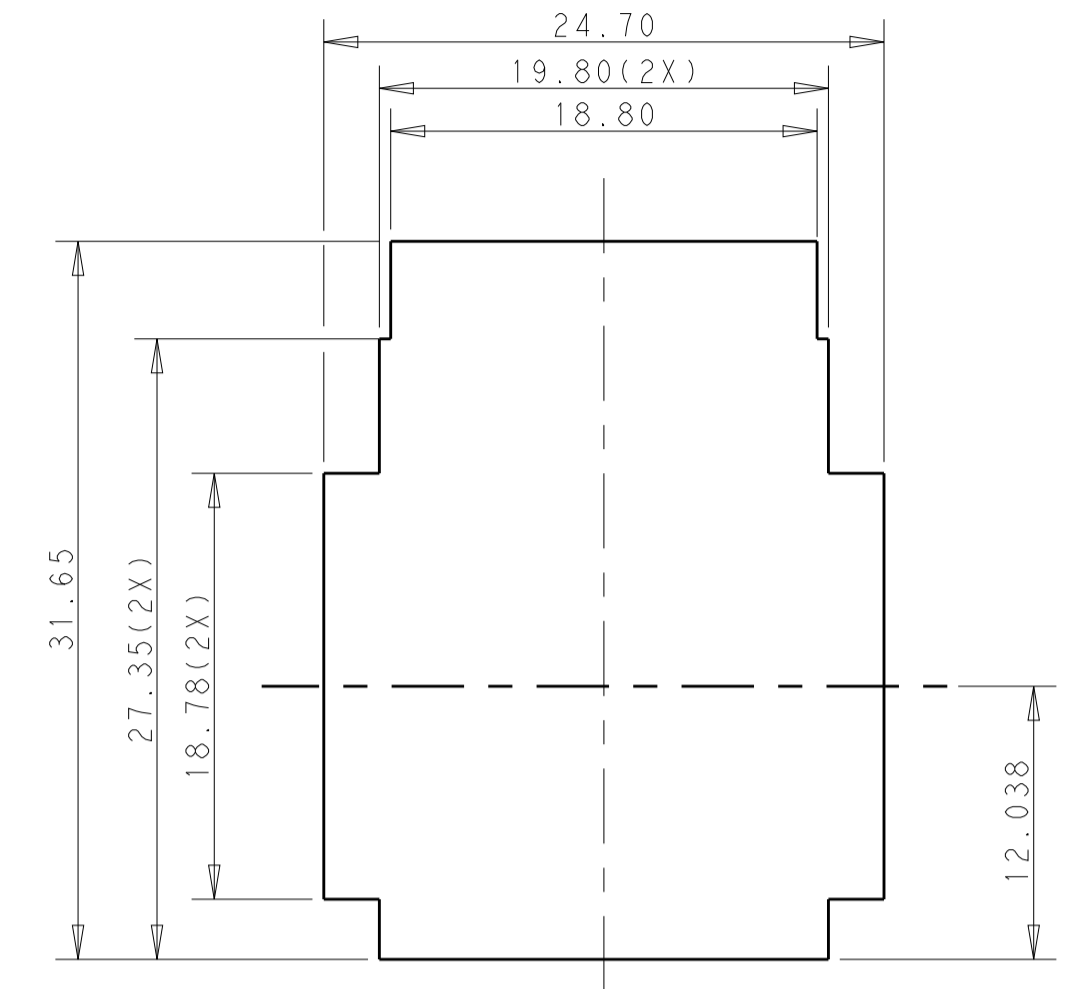
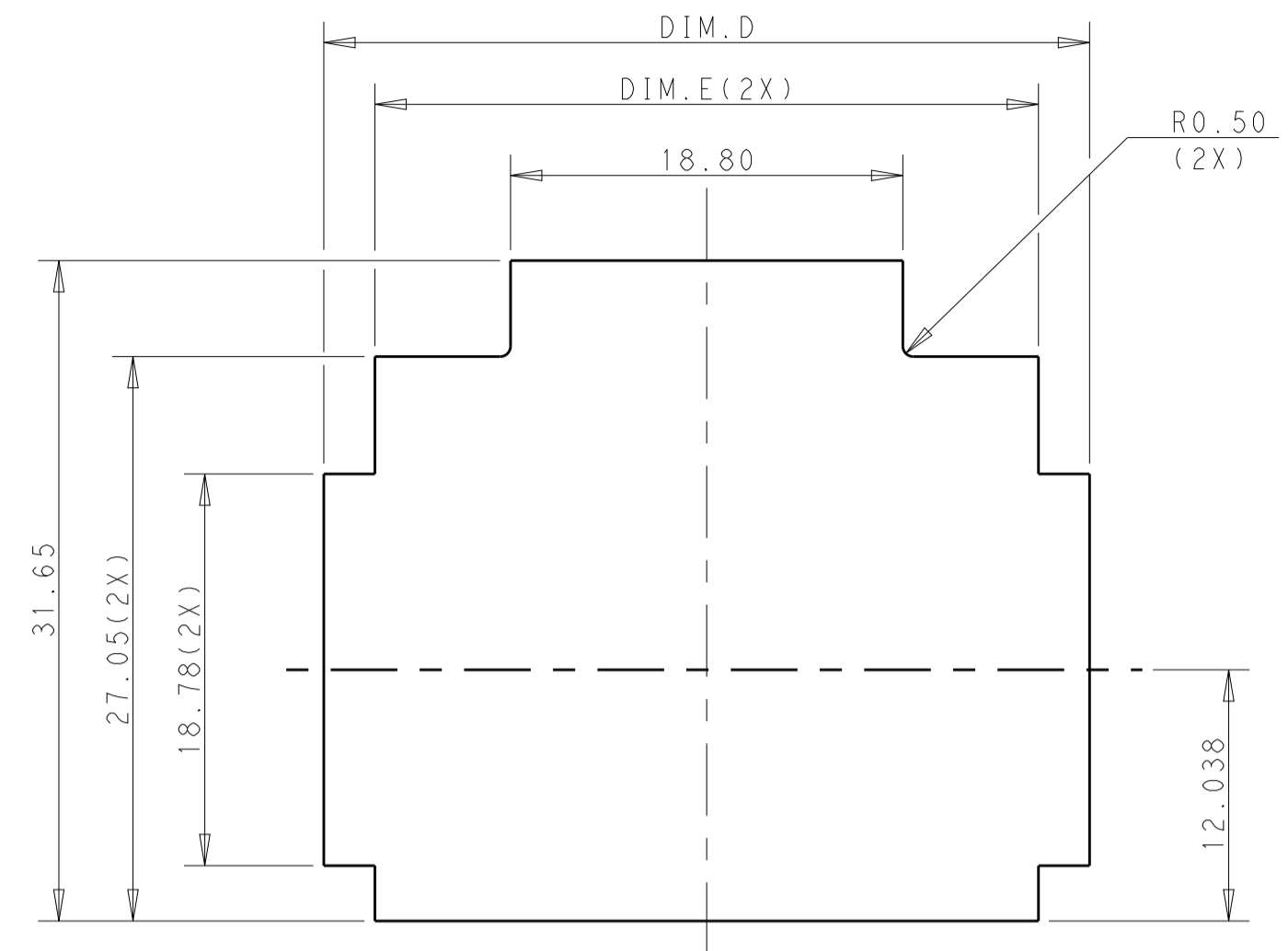
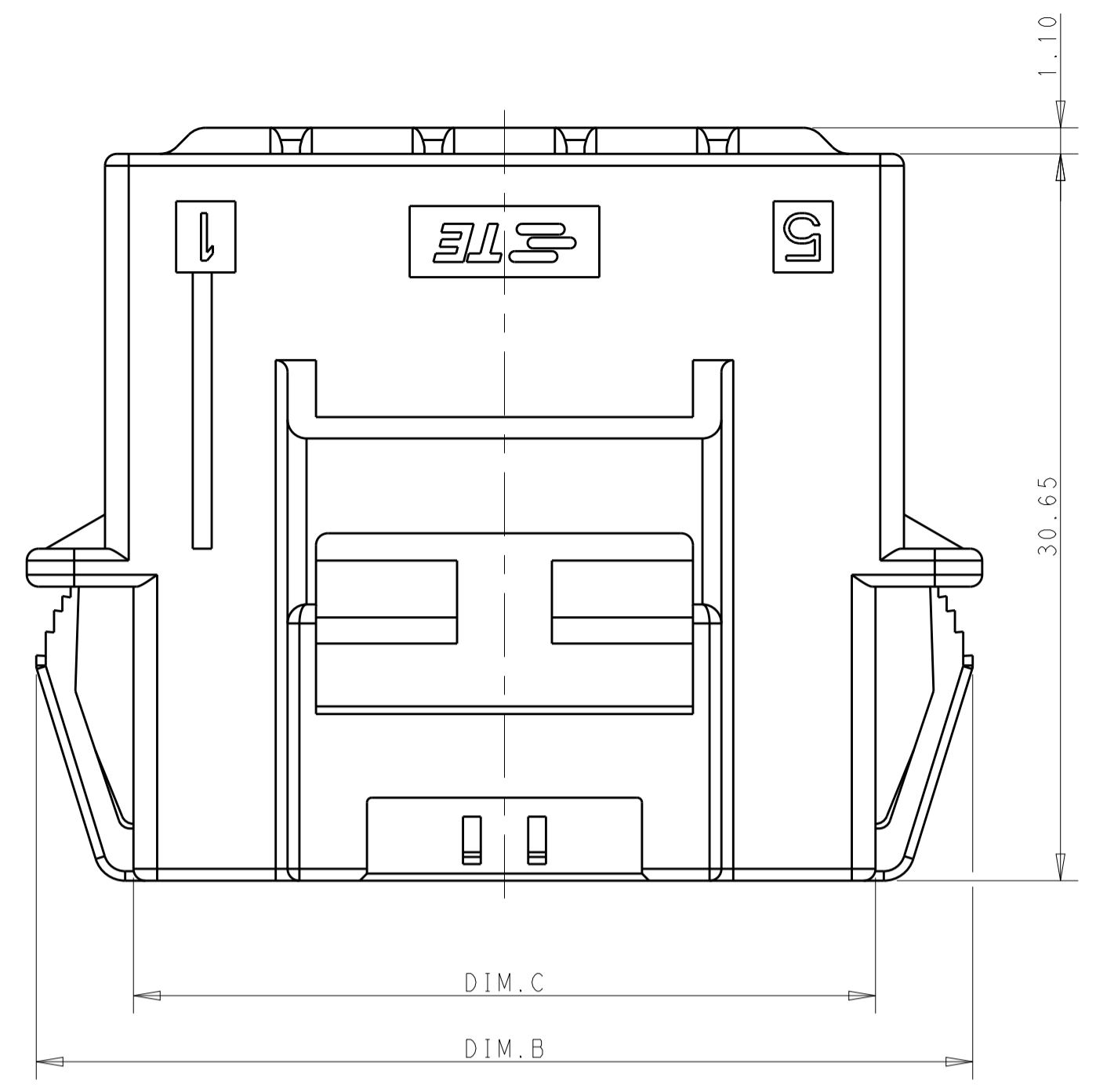
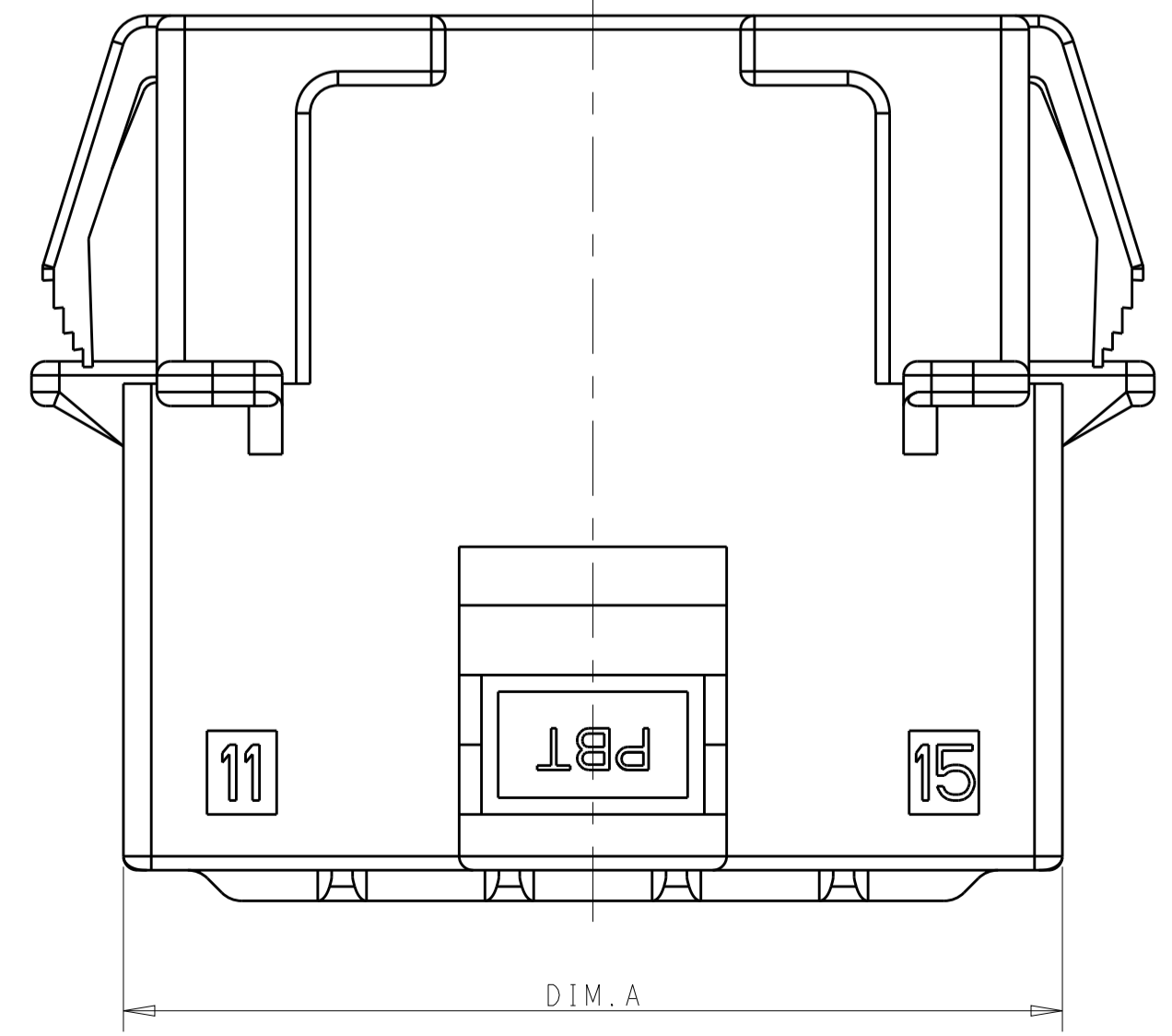
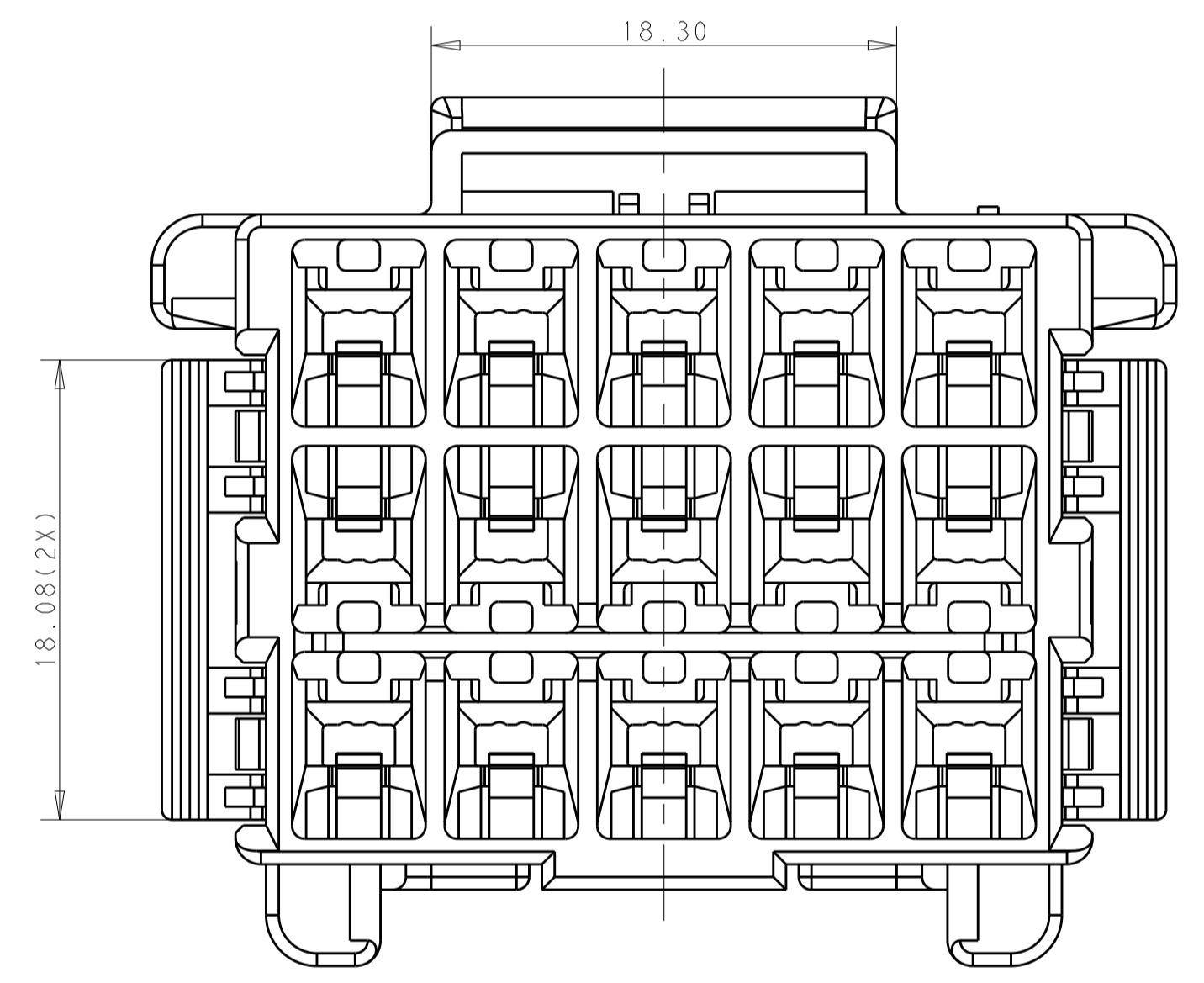
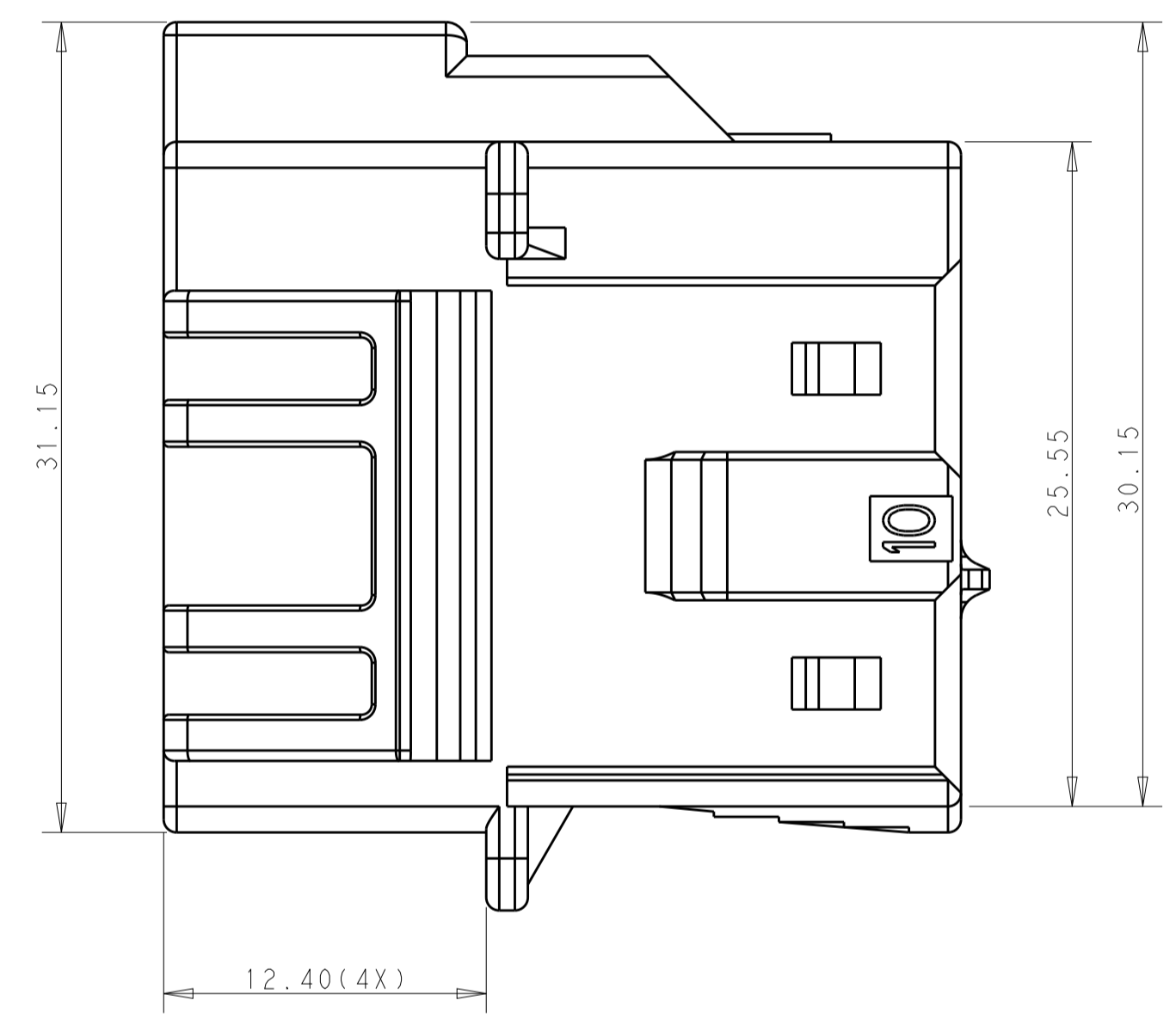
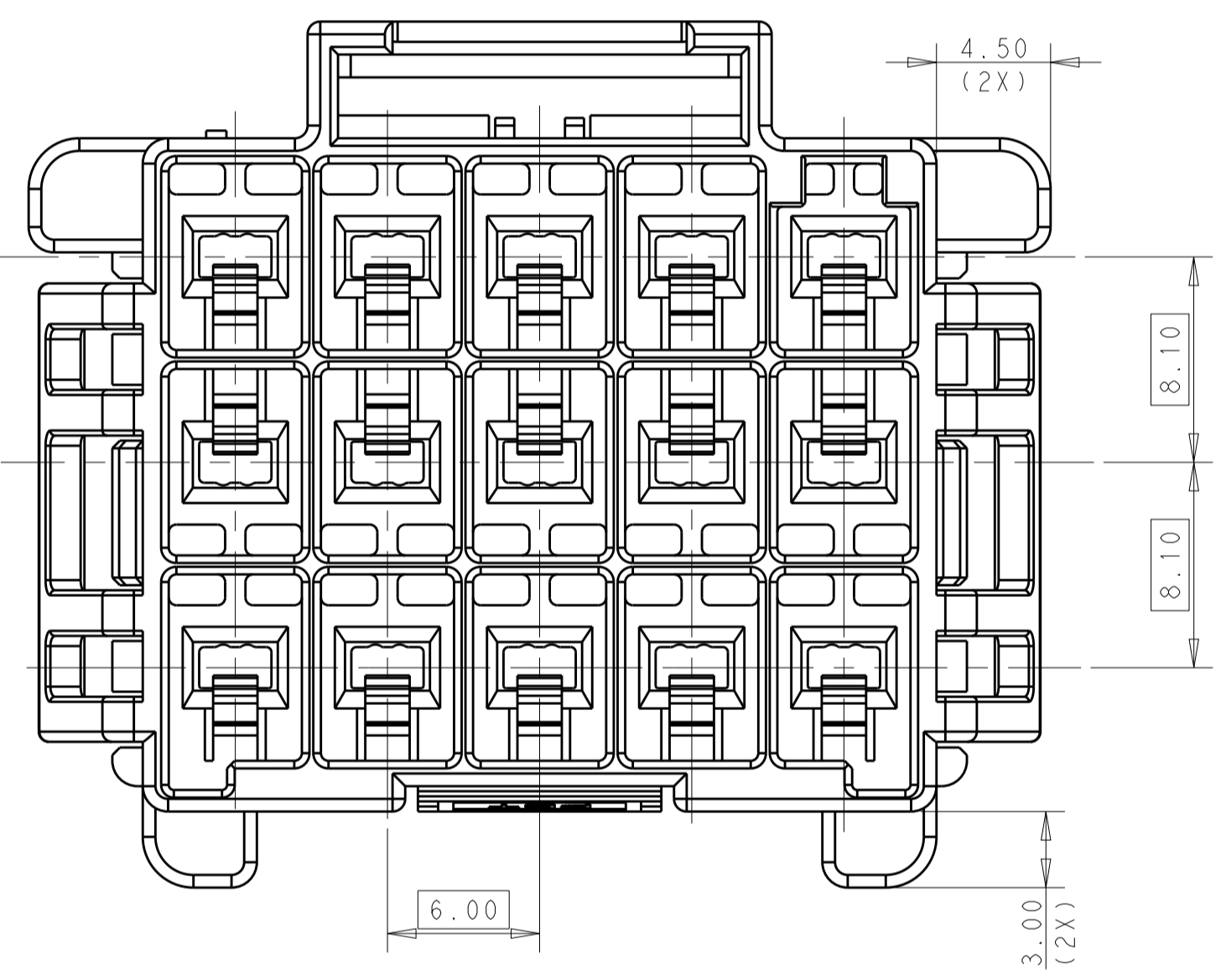


| LOC |     | DIST             |           | REVISIONS |       |  |  |
|-----|-----|------------------|-----------|-----------|-------|--|--|
| P   | LTH | DESCRIPTION      | DATE      | DWN       | APVD  |  |  |
| A   |     | RELEASED DRAWING | 04FEB2013 | T.W       | Y.H.M |  |  |
| A1  |     | ECR-13-005295    | 26MAR2013 | T.W       | Y.H.M |  |  |



RECOMMENDED PANEL OPENING DIMENSIONS FOR CAP HOUSING 3\*5 AND 3\*4 POSITIONS (TOLERANCE: ±0.15mm)

RECOMMENDED PANEL OPENING DIMENSIONS FOR CAP HOUSING 3\*3 POSITION (TOLERANCE: ±0.15mm)



- NOTE
- MATERIAL:  
LEVEL 1:PBT,STANDARD  
KEY A:NATURAL; KEY B:PURPLE; KEY C:BLUE; KEY D:YELLOW  
LEVEL 2:NYLON,HIGH TEMPERATURE 150°C  
KEY A:LIGHT GREY; KEY B:LIGHT GREY; KEY C:LIGHT GREY; KEY D:LIGHT GREY
  - MATERIAL MARK:  
LEVEL 1:PBT,LEVEL 2:HDT
  - APPLICABLE CONTACT P/N  
TAB CONTACT:1971238/1971780/82/84/86/88-\*
  - MATING CONN. P/N  
PLUG HSG: \*-1971876-  
DOUBLE ROW LOCK PLATE: \*-1971778-\*;SINGLE ROW LOCK PLATE: \*-1971777-\*
  - PRODUCT SPEC: 108-106118
  - APPLICATION SPEC: 114-106118
  - RECOMMENDED PANEL THICKNESS:1.0-2.0mm

1. This product has not completed validation testing.

| POS | A     | B    | C     | D     | E     |
|-----|-------|------|-------|-------|-------|
| 3*5 | 33.70 | 39.5 | 31.30 | 36.70 | 31.80 |
| 3*4 | 27.70 | 33.5 | 25.30 | 30.70 | 25.80 |
| 3*3 | 21.70 | 27.5 | 19.30 |       |       |

THIS DRAWING IS A CONTROLLED DOCUMENT. DWN: TOMMY WU 06JUL2012  
CHK: HAPYE WU 06JUL2012  
APVD: YUHONG MAO 06JUL2012

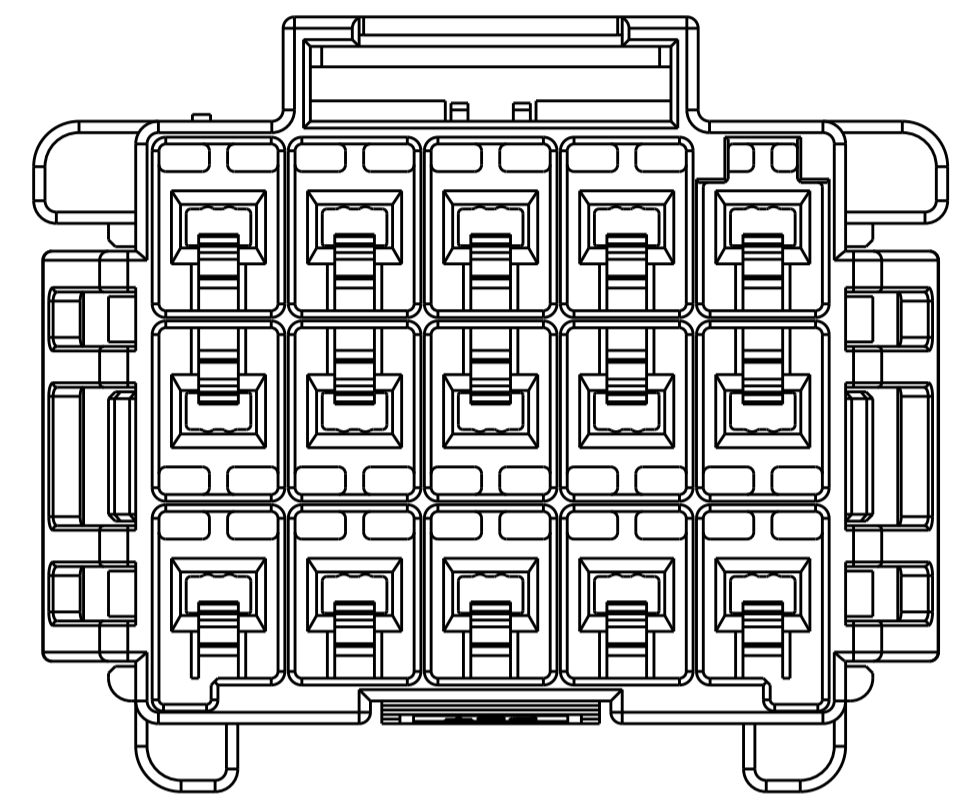
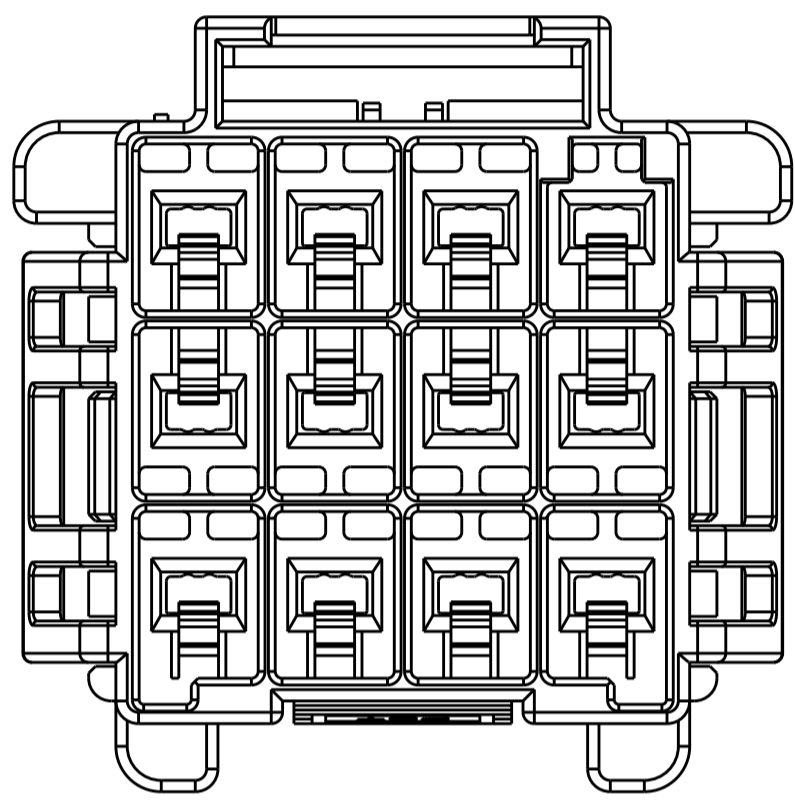
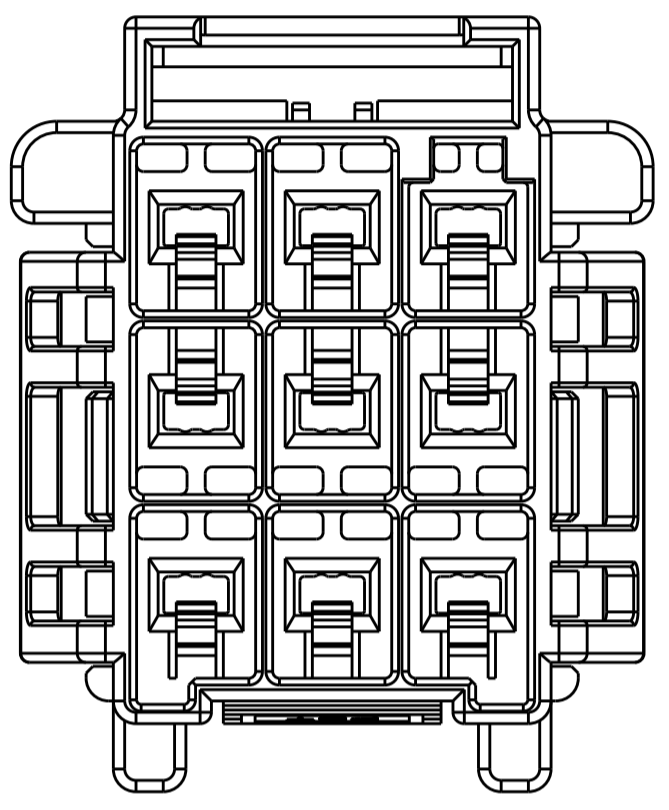
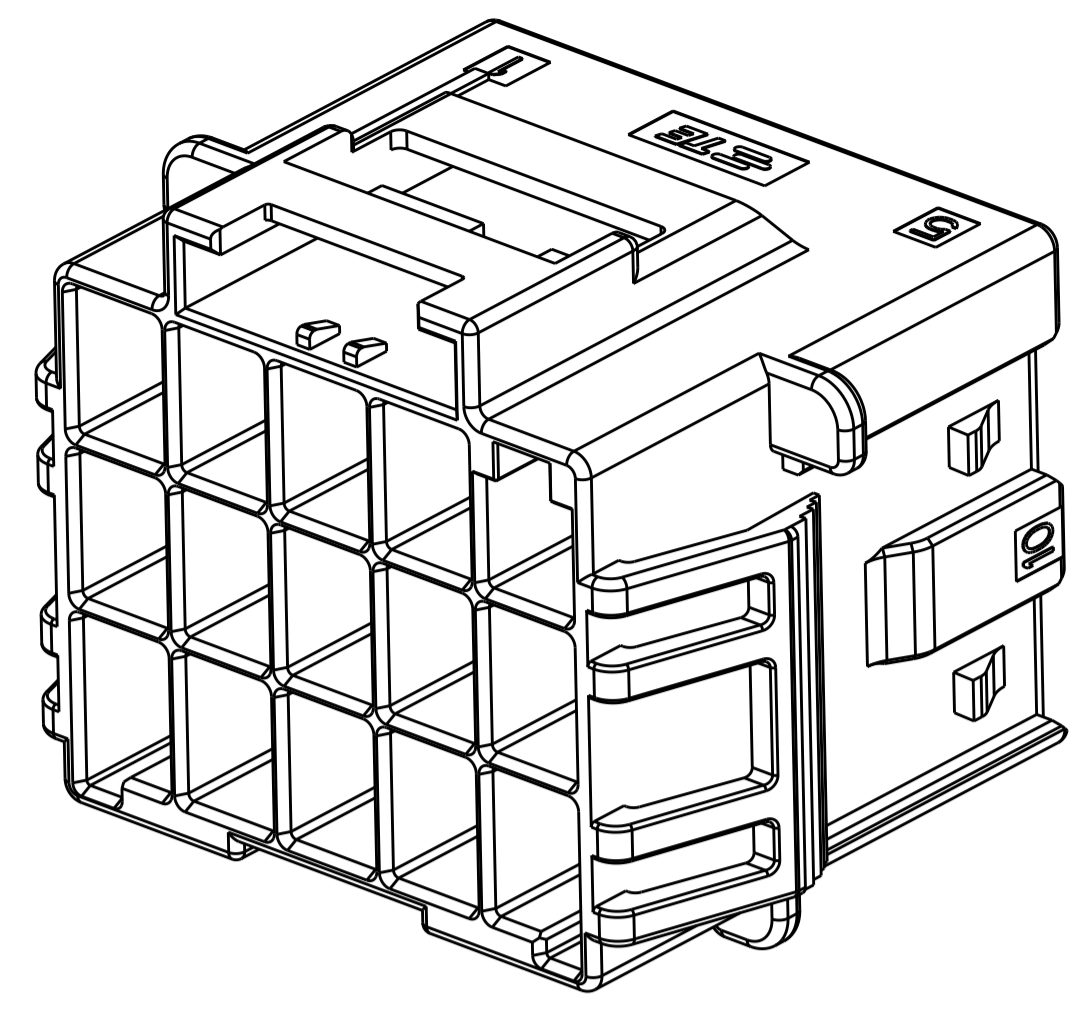
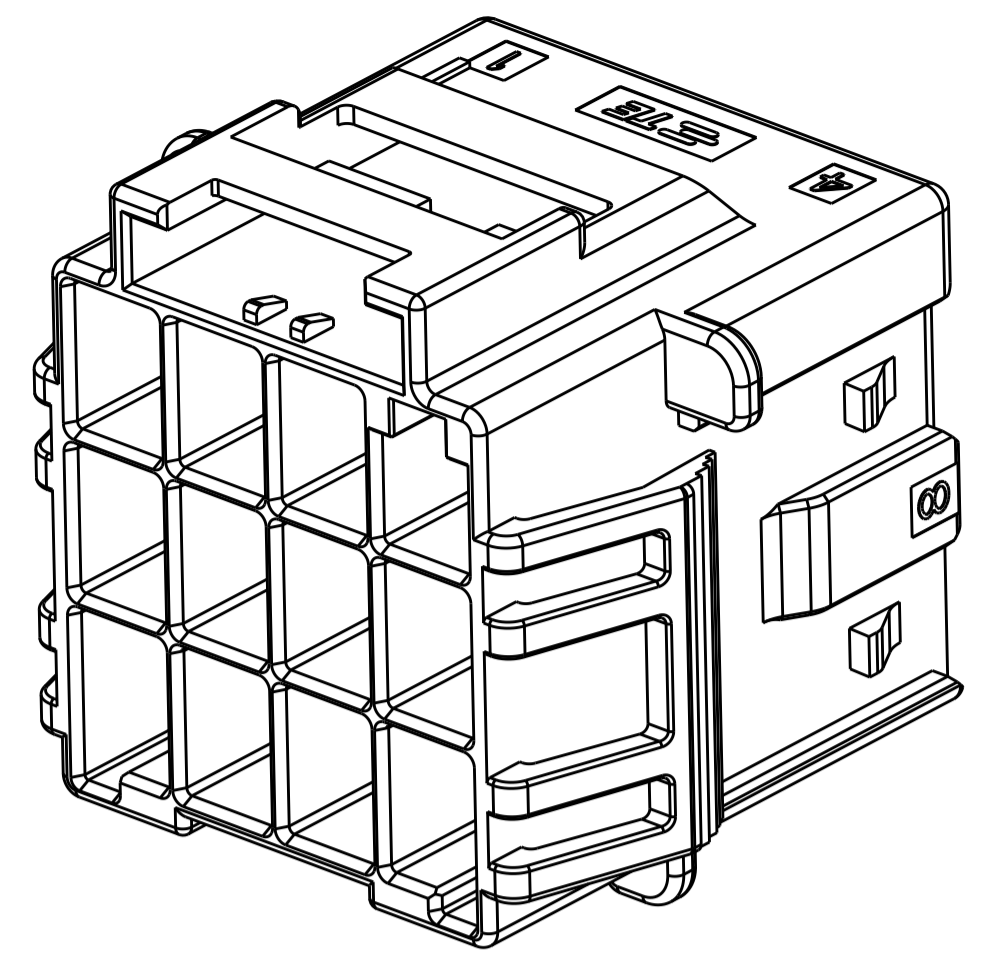
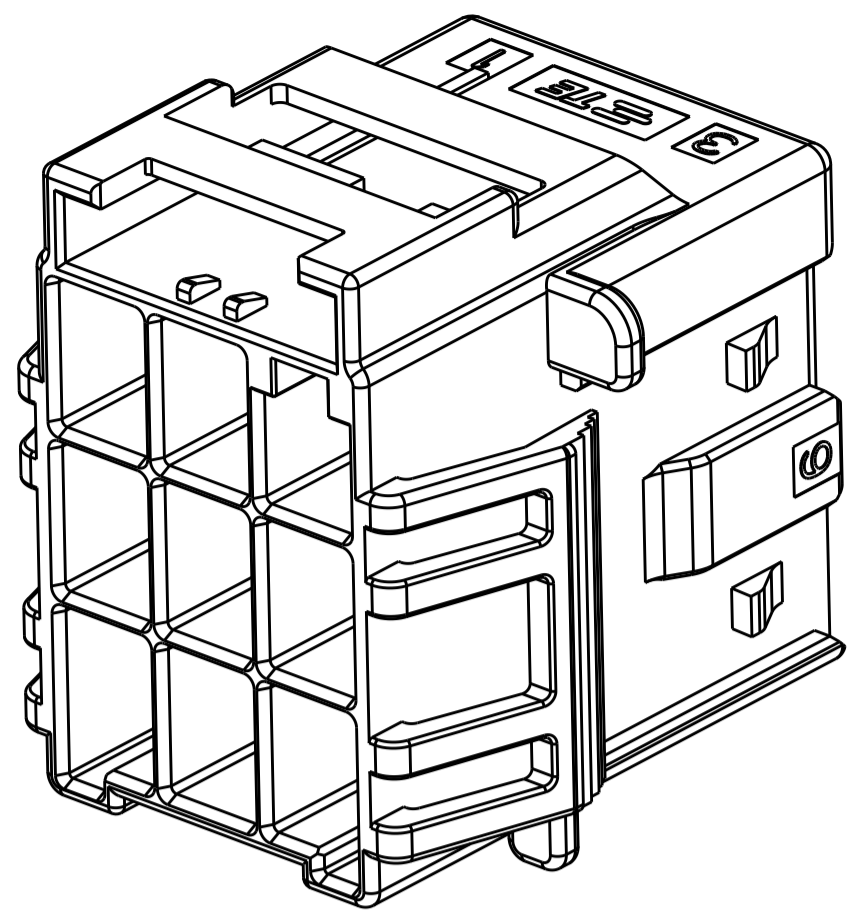
TOLERANCES UNLESS OTHERWISE SPECIFIED:  
0 PLC ±  
1 PLC ±0.35  
2 PLC ±0.25  
3 PLC ±  
4 PLC ±  
ANGLES ±

MATERIAL: FINISH:

Customer Drawing

TE Connectivity  
NAME: CAP HOUSING,PANEL MOUNT,TRIPLE ROW POWER TRIPLE LOCK  
SIZE: CAGE CODE: DRAWING NO: A100779C=1971875  
RESTRICTED TO: 1 OF 2 SHEETS

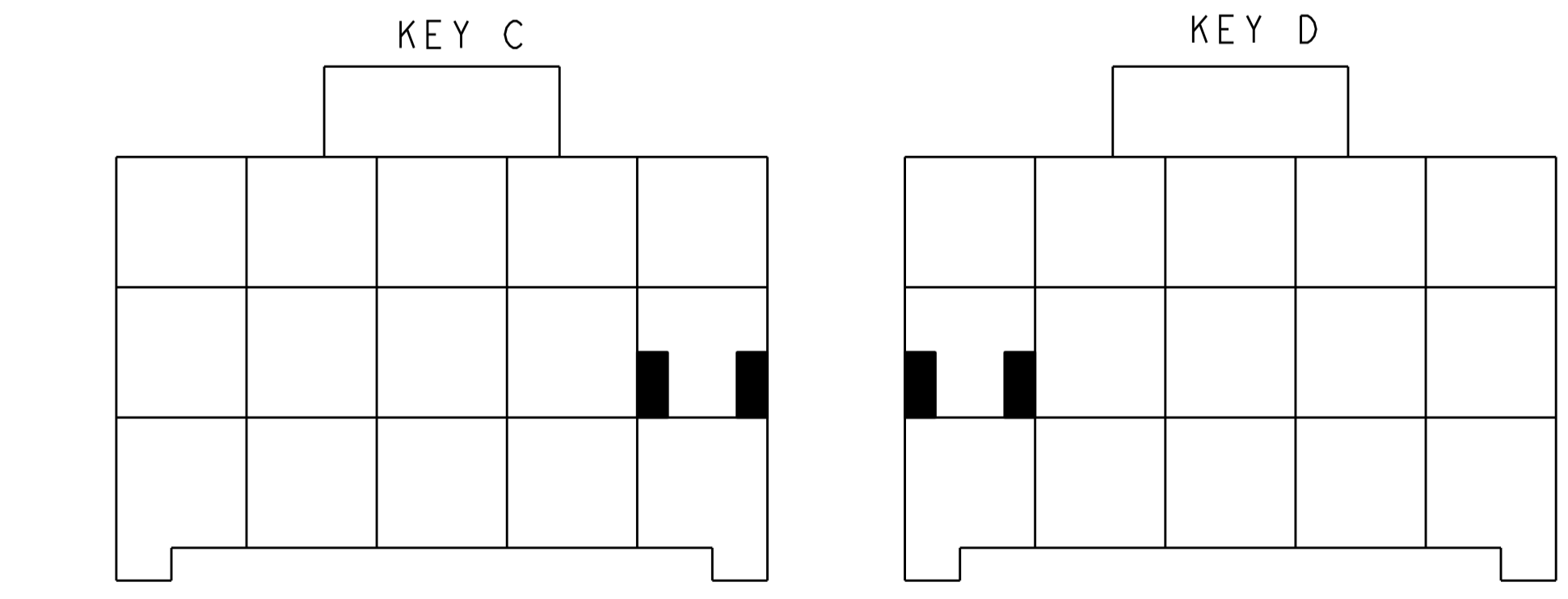
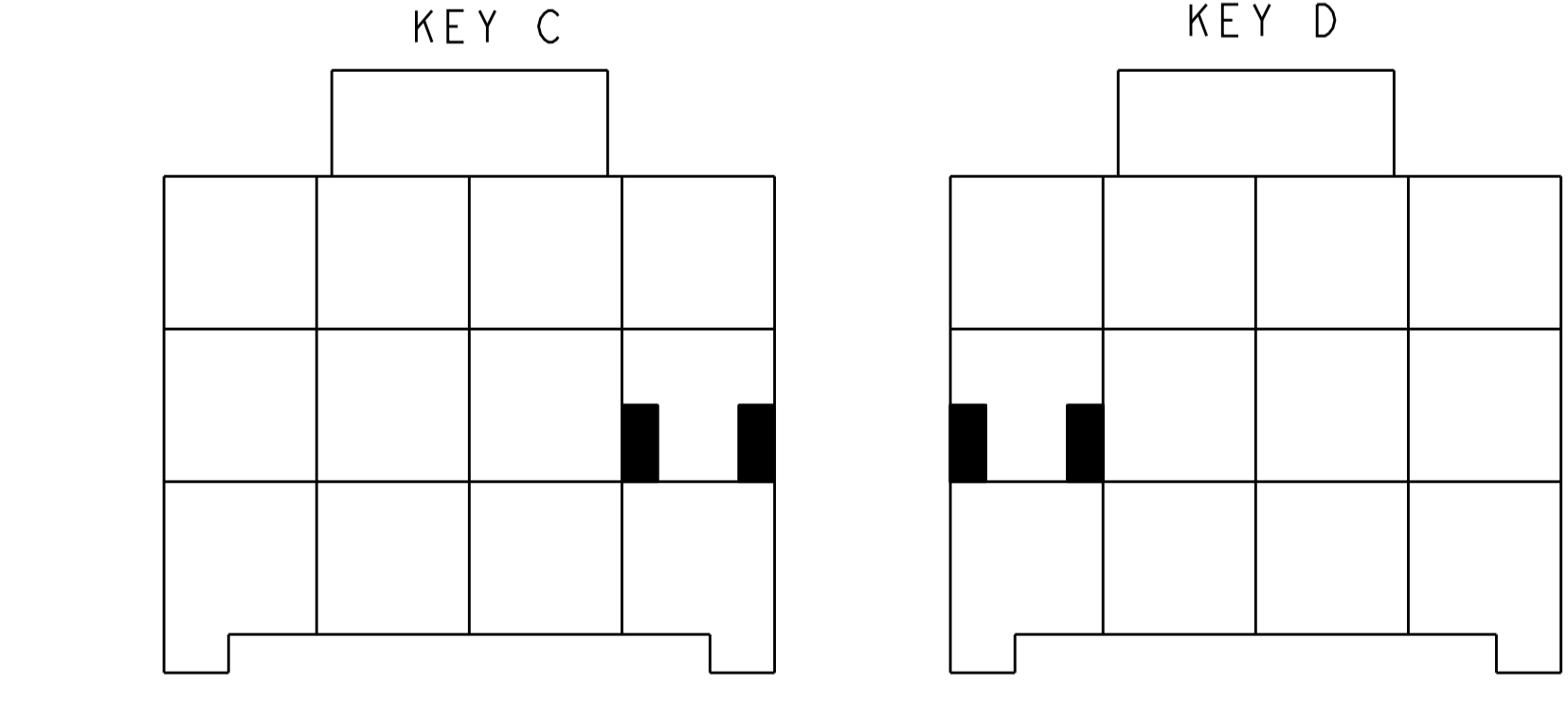
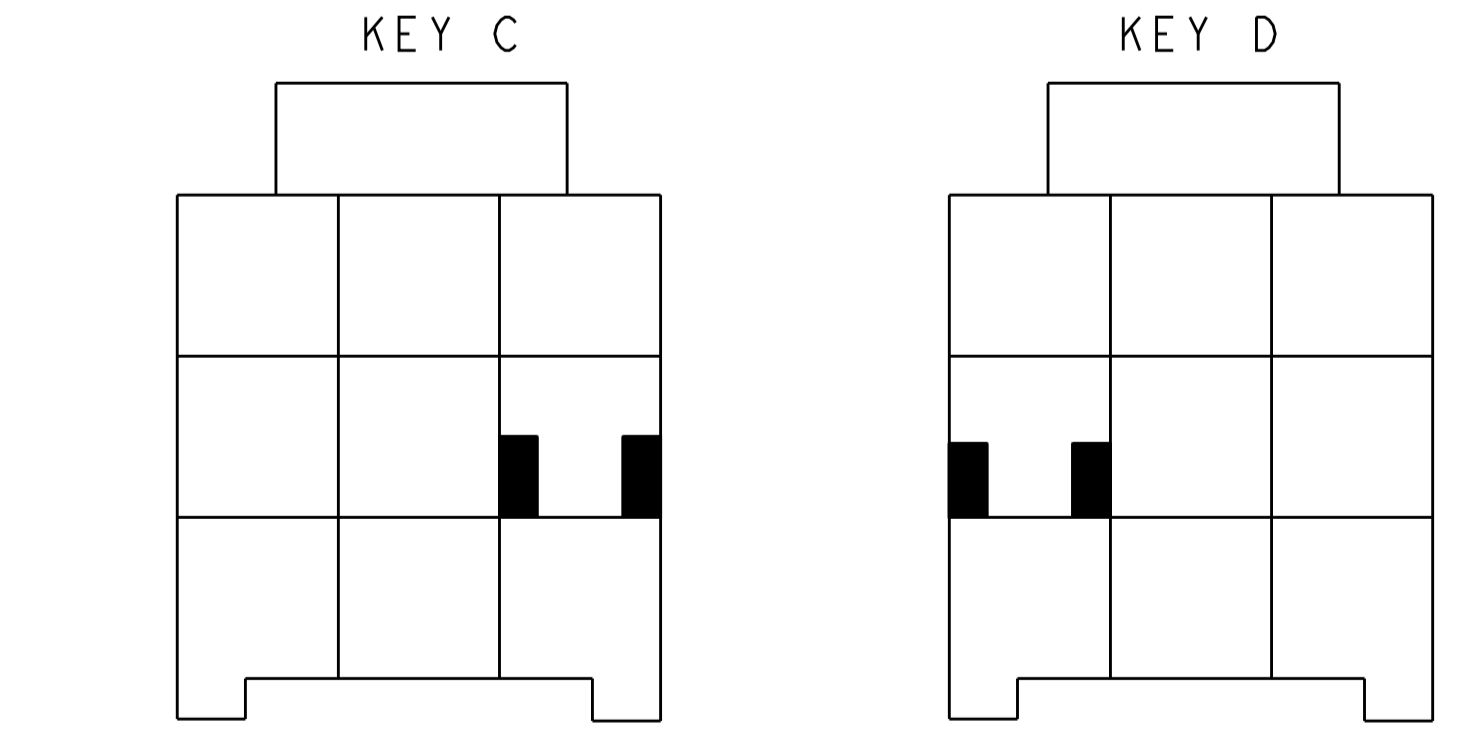
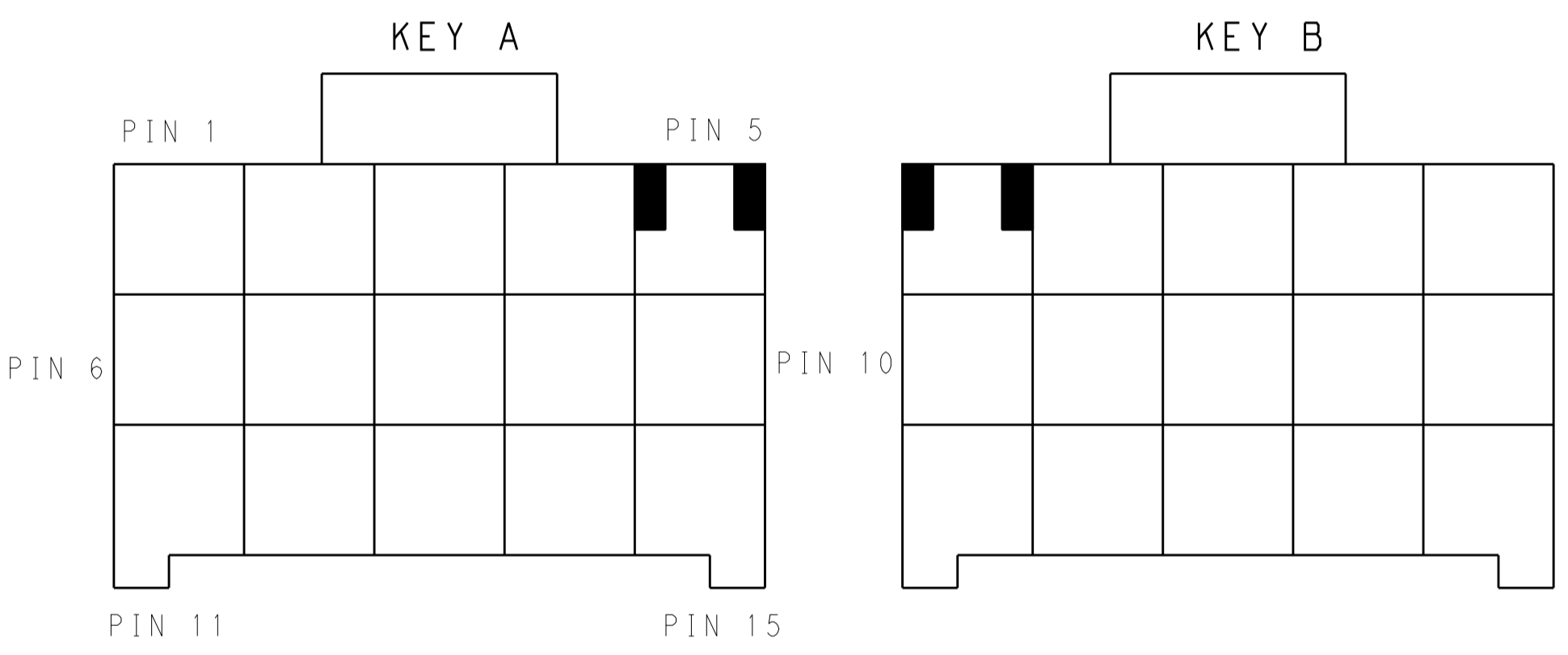
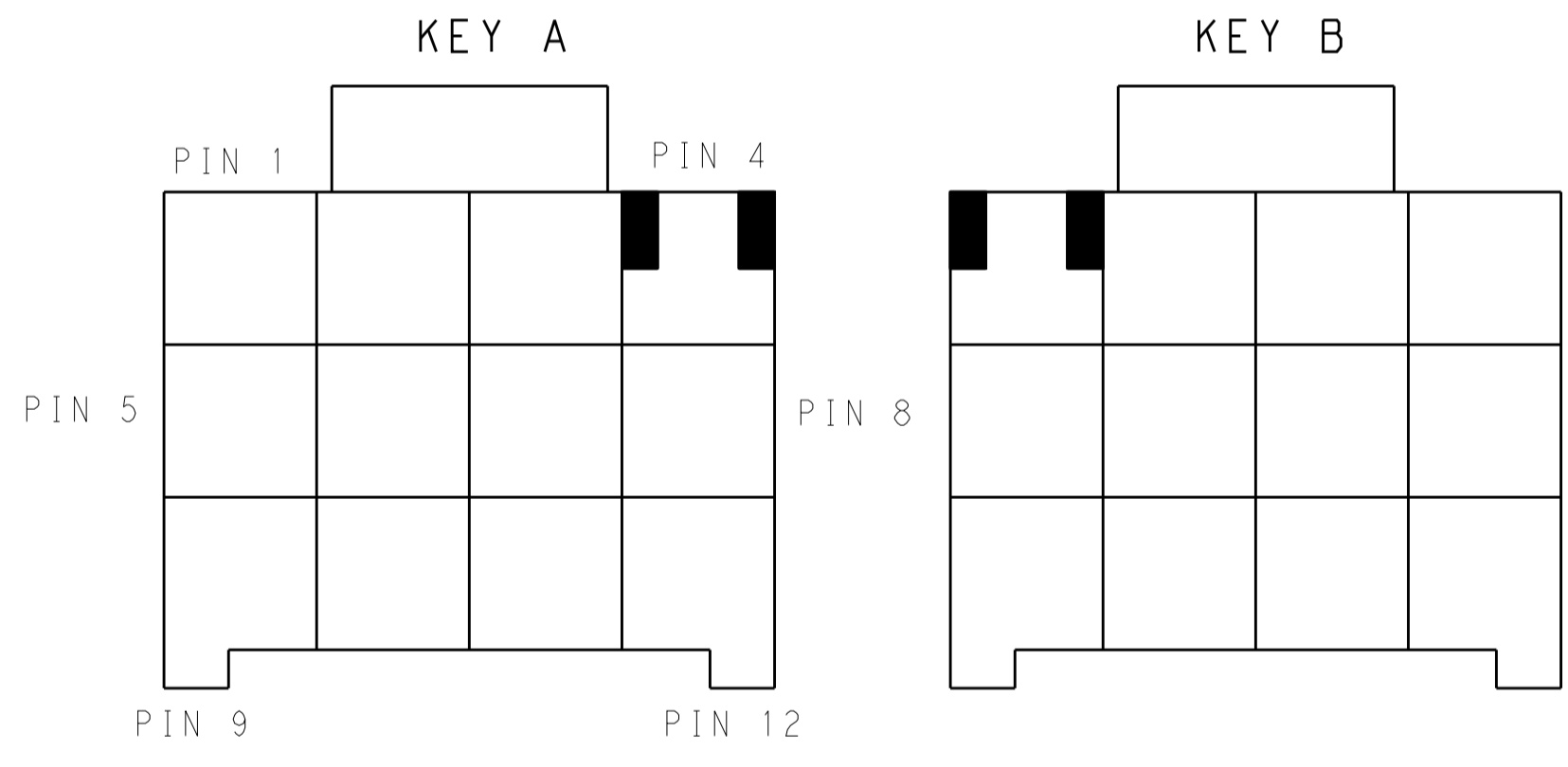
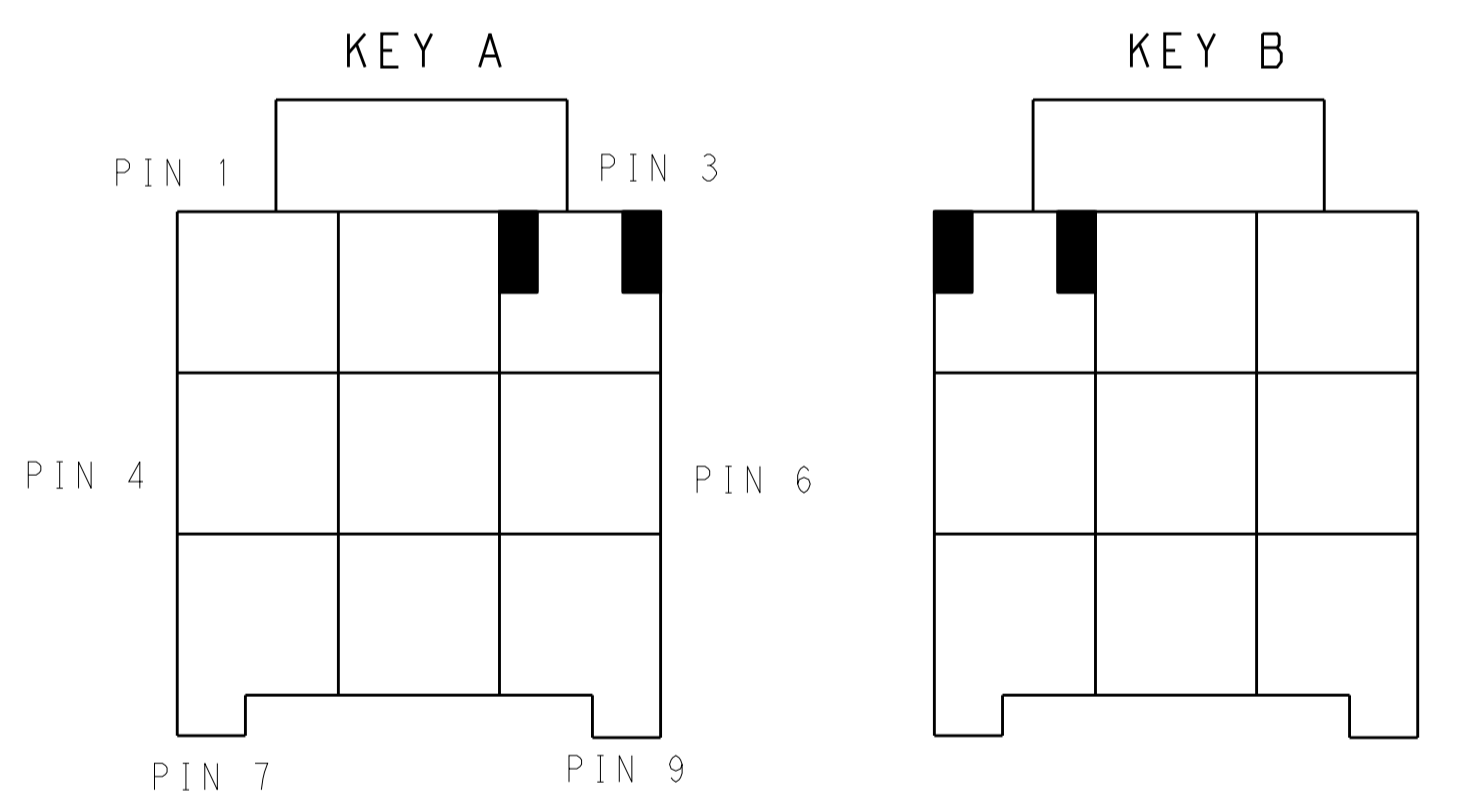
| LOC |     | DIST        |      | REVISIONS |      |  |  |
|-----|-----|-------------|------|-----------|------|--|--|
| P   | LTN | DESCRIPTION | DATE | OWN       | APVD |  |  |
| -   | -   | SEE SHEET 1 | -    | -         | -    |  |  |



3\*3 POSITIONS

3\*4 POSITIONS

3\*5 POSITIONS



KEYING FOR 3\*3 POS.

KEYING FOR 3\*4 POS.

KEYING FOR 3\*5 POS.

| POS. | MATERIAL | KEY   | P/N         |
|------|----------|-------|-------------|
| 3*5  | LEVEL 1  | KEY A | 1-1971875-7 |
|      |          | KEY B | 2-1971875-7 |
|      |          | KEY C | 3-1971875-7 |
|      |          | KEY D | 4-1971875-7 |
| 3*5  | LEVEL 2  | KEY A | 5-1971875-7 |
|      |          | KEY B | 6-1971875-7 |
|      |          | KEY C | 7-1971875-7 |
|      |          | KEY D | 8-1971875-7 |
| 3*4  | LEVEL 1  | KEY A | 1-1971875-4 |
|      |          | KEY B | 2-1971875-4 |
|      |          | KEY C | 3-1971875-4 |
|      |          | KEY D | 4-1971875-4 |
| 3*4  | LEVEL 2  | KEY A | 5-1971875-4 |
|      |          | KEY B | 6-1971875-4 |
|      |          | KEY C | 7-1971875-4 |
|      |          | KEY D | 8-1971875-4 |
| 3*3  | LEVEL 1  | KEY A | 1-1971875-3 |
|      |          | KEY B | 2-1971875-3 |
|      |          | KEY C | 3-1971875-3 |
|      |          | KEY D | 4-1971875-3 |
| 3*3  | LEVEL 2  | KEY A | 5-1971875-3 |
|      |          | KEY B | 6-1971875-3 |
|      |          | KEY C | 7-1971875-3 |
|      |          | KEY D | 8-1971875-3 |

THIS DRAWING IS A CONTROLLED DOCUMENT.

OWN: TOMMY WU 06JUL2012  
 CHK: HAPYE WU 06JUL2012  
 APVD: YUHONG MAO 06JUL2012

TE Connectivity

NAME: CAP HOUSING, PANEL MOUNT, TRIPLE ROW POWER TRIPLE LOCK

PRODUCT SPEC: 108-106118  
 APPLICATION SPEC: 114-106118

SIZE: A1 CAGE CODE: 00779 DRAWING NO: 1971875  
 WEIGHT: -  
 FINISH: -

Customer Drawing SCALE: - SHEET 2 OF 2 REV: A1