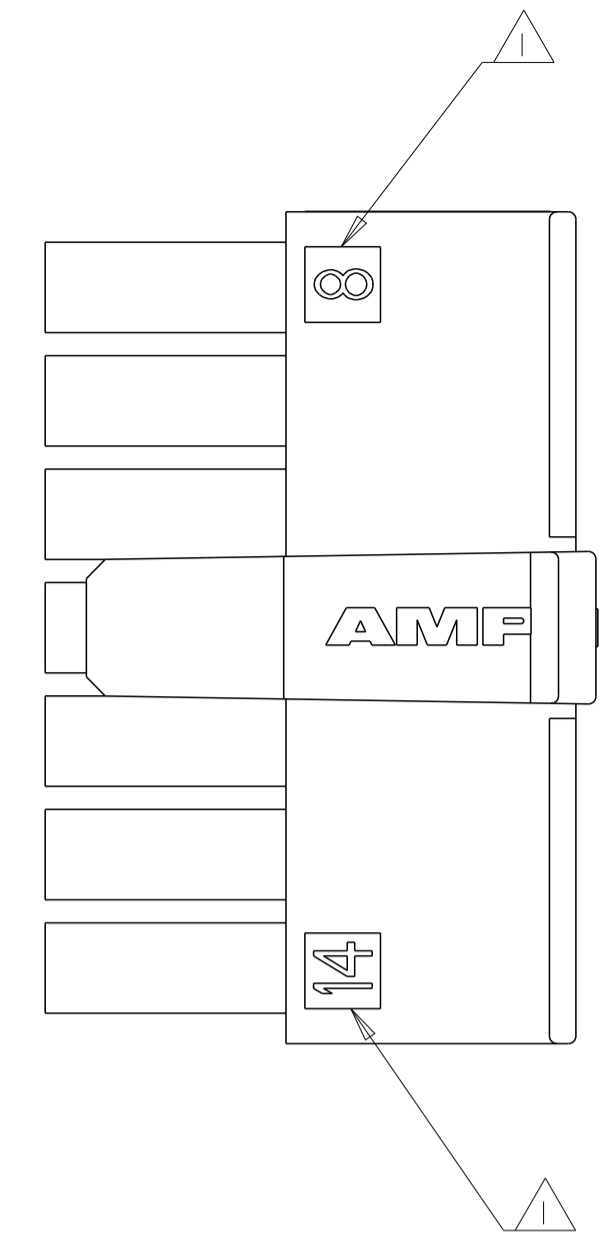
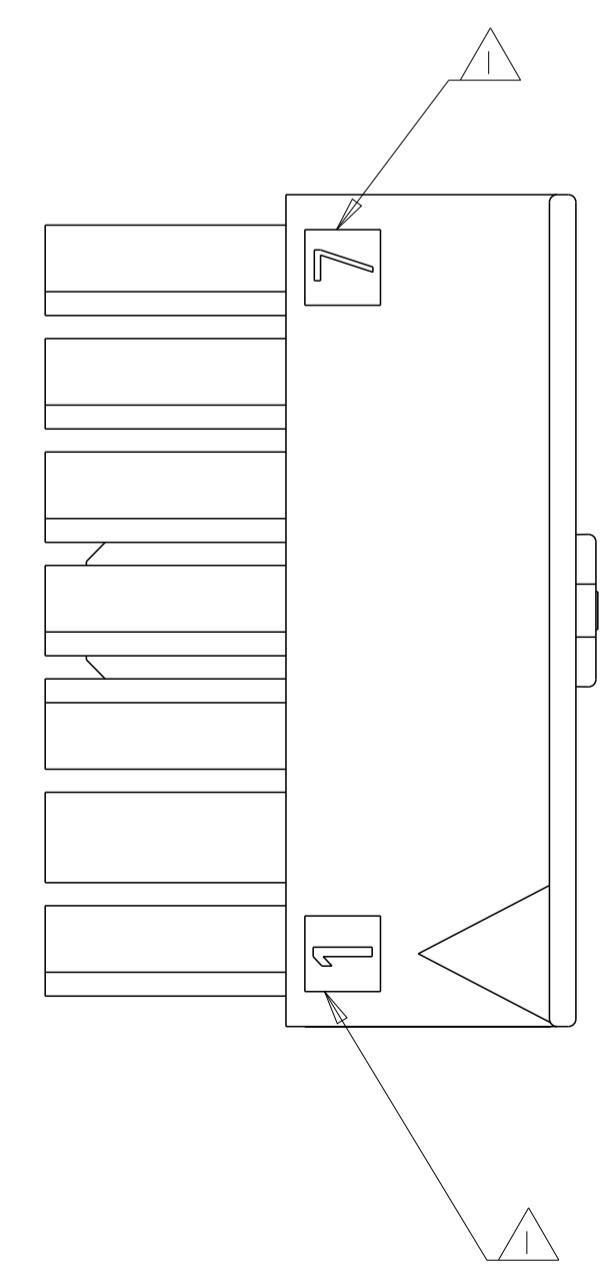
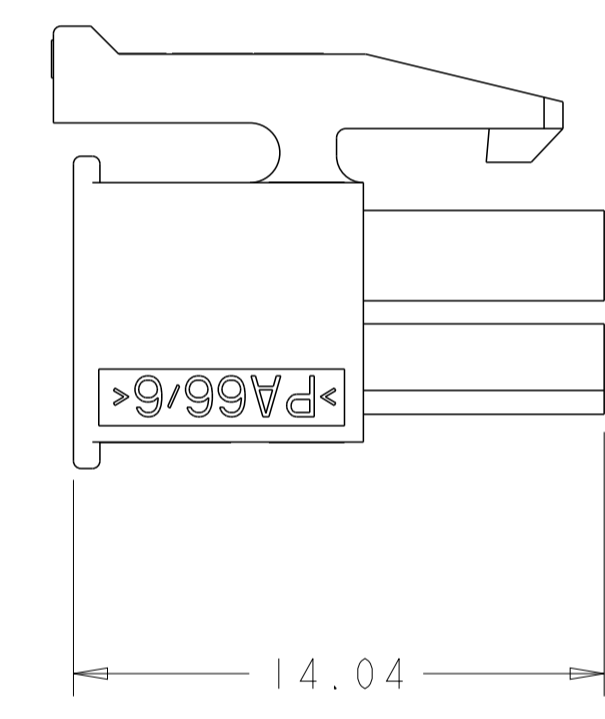
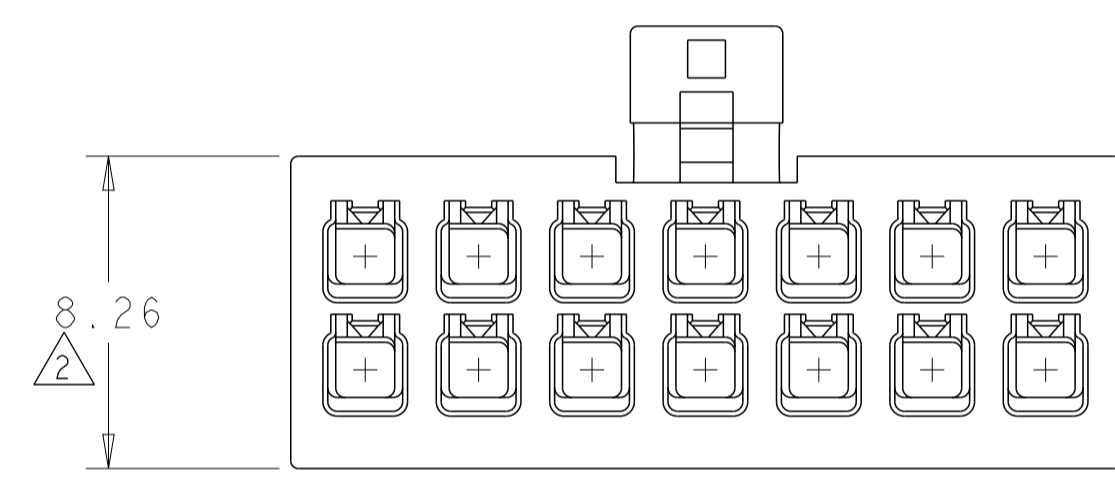
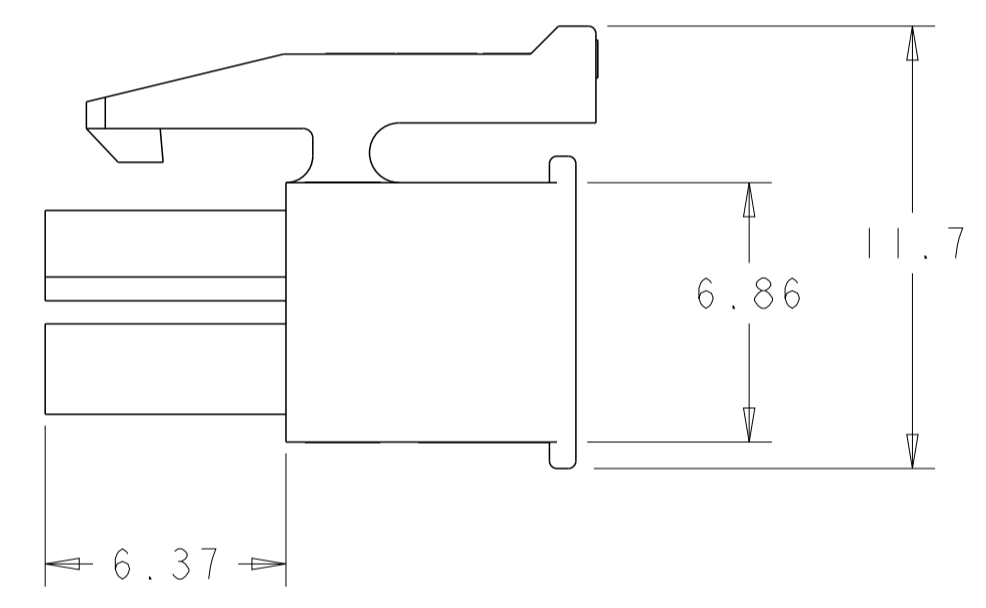
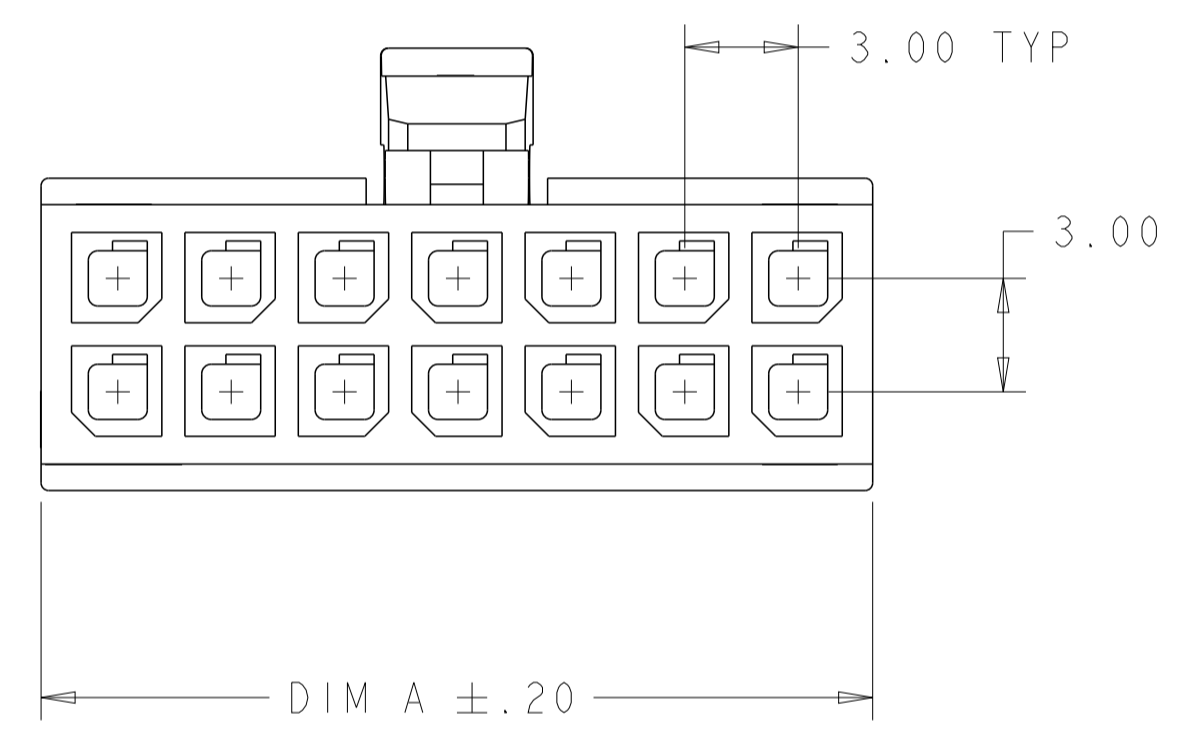


LOC	DIST	REVISIONS			
P	LTN	DESCRIPTION	DATE	DWN	APVD
CM	53	E3	REVISED PER ECR-12-015771	11SEP2012	KH TM



△ CIRCUIT IDENTIFIER, LOCATED APPROXIMATELY AS SHOWN.
 △ DIMENSION ONLY 7.56 ON 2 POSITION.



DIM A	NO. OF POS.	PART NUMBER
37.00	24	2-794617-4
34.00	22	2-794617-2
31.00	20	2-794617-0
28.00	18	1-794617-8
25.00	16	1-794617-6
22.00	14	1-794617-4
19.00	12	1-794617-2
16.00	10	1-794617-0
13.00	8	794617-8
10.00	6	794617-6
7.00	4	794617-4
4.00	2	794617-2

THIS DRAWING IS A CONTROLLED DOCUMENT.

DWN: K. WHITAKER 4-OCT-1999
 CHK: K. COBLE 14-OCT-1999
 APVD: K. COBLE 14-OCT-1999

STE TE Connectivity

NAME: RECEPTACLE HOUSING, 2 TO 24 POSITION, DUAL ROW, MICRO MATE-N-LOK™

SIZE: A1 CAGE CODE: 00779 DRAWING NO: 794617

MATERIAL: NYLON, UL94V-0 BLACK

FINISH: -

WEIGHT: -

CUSTOMER DRAWING

SCALE: 5:1 SHEET 1 OF 1 REV: E3