

# Customer Information Sheet

DRAWING No.: C90-3106FXXSX-XX

SHEET 2 OF 2

IF IN DOUBT - ASK

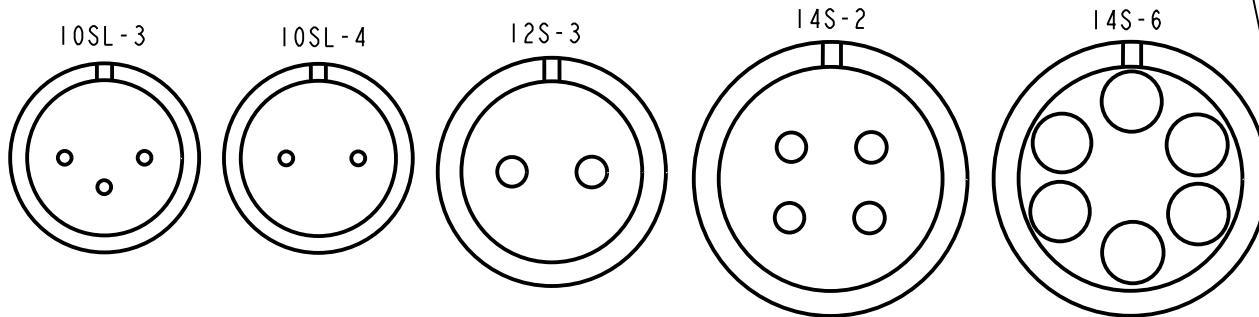
©

NOT TO SCALE

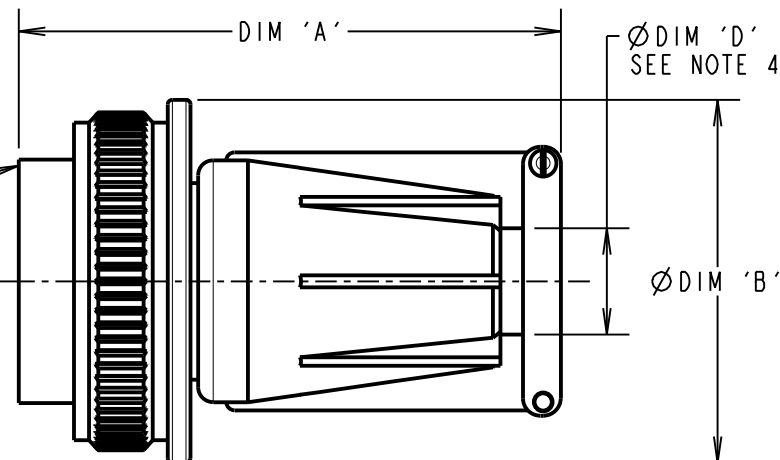
THIRD ANGLE PROJECTION

ALL DIMENSIONS IN mm

## CONTACT LAYOUT (SHOWN LOOKING AT THE MATING FACE)



'C' THREAD



### SPECIFICATIONS:

#### MATERIAL:

SHELL: ALUMINIUM ALLOY  
INSULATOR: SYNTHETIC RUBBER  
GROMMET: SYNTHETIC RUBBER  
CONTACT COPPER ALLOY

#### FINISH:

SHELL: ZINC WITH BLACK CHROMATE COATING  
CONTACT: SILVER

#### ENVIRONMENTAL:

OPERATING TEMPERATURE: -55°C TO +125°C

#### MECHANICAL:

VIBRATION SENSITIVITY: 10Hz TO 500Hz, 98mm/s<sup>2</sup> (10G)  
SHOCK SEVERITY: 490m/s<sup>2</sup> (50G) FOR 11ms  
WATER RESISTANCE (SEALING): 1.8m FOR 48HRS, EXCEEDS IP67

#### ELECTRICAL:

CURRENT RATING: 13A  
VOLTAGE RATING: 10SL, 12S SHELL SIZES: 500V AC, 700V DC  
14S SHELL SIZE: 200V AC, 250V DC  
VOLTAGE PROOF: 10SL & 12S: 2,000V AC  
14S: 1,000V AC

INSULATION RESISTANCE: 5,000MΩ MIN.

FOR MECHANICAL/ELECTRICAL REQUIREMENTS,  
SEE COMPONENT SPECIFICATION C045XX (LATEST ISSUE)

ORDER CODE: **C90-3106FXXXX-X X**

SHELL SIZE (CONTACT LAYOUT)  
10SL-3, 10SL-4, 12S-3, 14S-2  
14S-6

CONTACT GENDER  
P - MALE  
S - FEMALE

### NOTES:

1. PRODUCT IS RoHS COMPLIANT.
2. PRODUCT IS PACKED IN BAGS.
3. RECOMMENDED WIRE SIZE 16-22 AWG.
4. MINIMUM CABLE CLEARANCE.

SHELL SIZE	DIM 'A' MAX	Ø DIM 'B' MAX	'C' THREAD	Ø DIM 'D' MAX
10SL	54.10	24.10	5/8-24UNEF	7.14
12S	54.10	25.30	3/4-20UNEF	7.14
14S	55.91	28.53	7/8-20UNEF	10.31

SB	6	09.02.12	11649
NAME	ISS.	DATE	C/NOTE
APPROVED:		S.BENNETT	
CHECKED:		M.G.PLESTED	
DRAWN:		R.ADDE	
CUSTOMER REF.:			
ASSEMBLY DRG:			

# HARWIN

www.harwin.com  
technical@harwin.com

THIS DRAWING AND ANY INFORMATION OR DESCRIPTIVE MATTER SET OUT HEREON ARE CONFIDENTIAL AND COPYRIGHT PROPERTY OF THE HARWIN GROUP AND MUST NOT BE DISCLOSED, LOANED, COPIED OR USED FOR MANUFACTURING, TENDERING OR FOR ANY OTHER PURPOSE WITHOUT THEIR WRITTEN PERMISSION.

#### TOLERANCES

X. = ±1mm  
X.X = ±0.25mm  
X.XX = ±0.10mm  
X.XXX = ±0.01mm  
ANGLES = ±5°  
UNLESS STATED

#### MATERIAL:

SEE ABOVE

FINISH: SEE ABOVE

S/AREA:

mm<sup>2</sup>

#### TITLE:

STRAIGHT PLUG

#### DRAWING NUMBER:

**C90-3106FXXSX-XX**

SHT  
2 OF 2