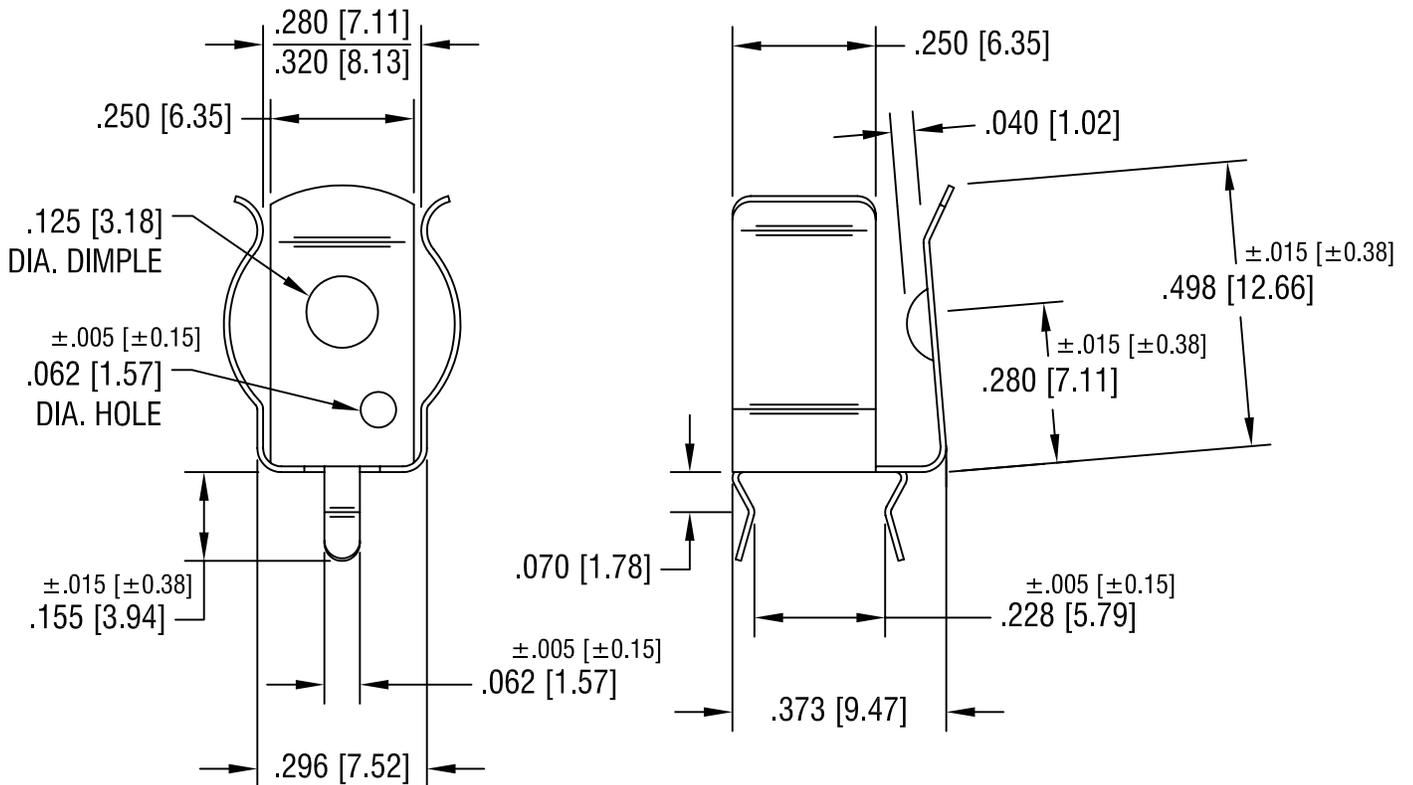
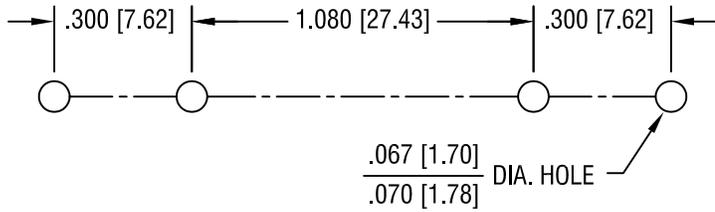


THIS DOCUMENT IS THE PROPERTY OF KEYSTONE ELECTRONICS CORP. AND SHALL NOT BE REPRODUCED, DISTRIBUTED OR USED AS A BASIS FOR MANUFACTURE WITHOUT PRIOR WRITTEN PERMISSION FROM KEYSTONE ELECTRONICS CORP.

REQUIRED SPACING FOR 'AAA' CLIP



NOTE:

1. HEAT TREAT TO SPRING TEMPER.

KEYSTONE ELECTRONICS CORP.

ASTORIA, N.Y. 11105-2017

PART NAME				'AAA'-'N' PC BATTERY CLIP			
MATERIAL				.010 [.25] TH'K ANNEALED SPRING STEEL			
FINISH		DRN BY		DATE		SCALE	
TIN NICKEL PLATE		BOONE		2.3.98		3X	
APP'D		LN		DWG NO.			
TOLERANCES		INCH		[MM]		CODE	
DECIMAL		± .010		[± 0.25]		C	
ANGULAR		± 1°		UNLESS OTHERWISE SPECIFIED			
DATE				82			

3.7.05	CHANGE AS PER ECN 05-015	L
DATE	DESCRIPTION	REV.