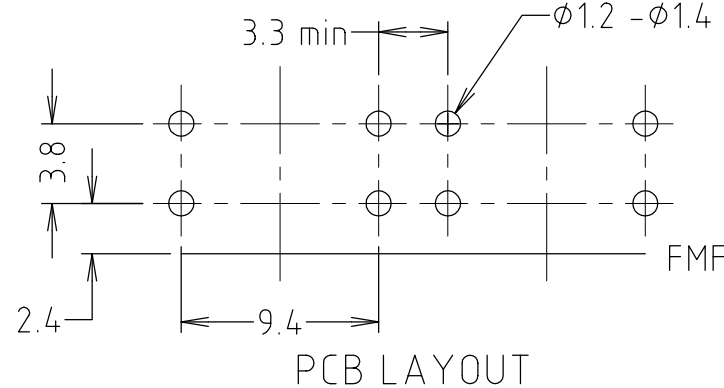
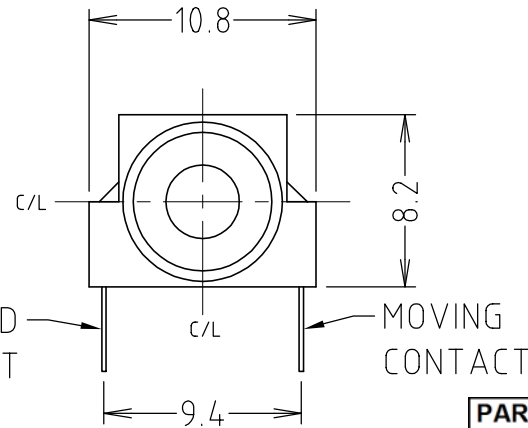
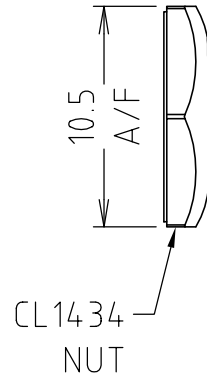
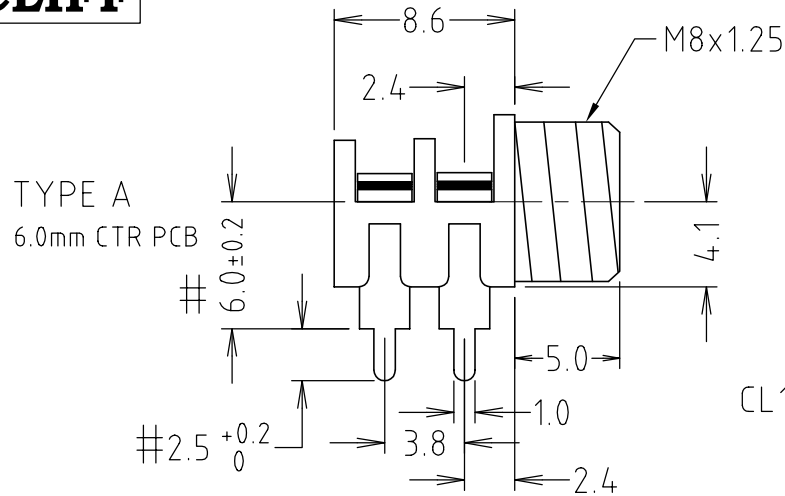


ISS.	AMEND	DATE
1	REDRAWN	17/01/91
2	VARIANTS ADD	01/02/95
3	NOTE ADDED	01/03/95
4	CL1386 DELETED	13/10/97
5	ERR TOL WAS 0.2	17/11/98
6	# AMENDED	29/01/99
7	CL13845 ADDED	09/04/02
8	CRC ALL, VAR DEL	14/06/13



NOTES:

- S6 SOCKETS ARE ONLY GUARANTEED TO PERFORM THE SWITCH SWITCH (SS) FUNCTION.
- USERS REQUIRING BREAK (B) OR MAKE (M) FUNCTIONS MUST SATISFY THEMSELVES THAT THE PRODUCT IS SUITABLE FOR THEIR APPLICATIONS.
- CLIFF ACCEPTS NO RESPONSIBILITY FOR USE OUTSIDE THE (SS) FUNCTION.
- MAXIMUM PANEL THICKNESS 3.0mm
- ALL JACKS MADE WITH CURLY REAR CONTACT (CRC) EXCEPT CL1362 (SS).
- NOW ALL USE CURLY REAR CONTACTS SOME MODELS ARE DUPLICATED e.g. CL1384 / CL13841
- NUTS 1x PER SUPPLIED UNASSEMBLED.
- FOR VARIANTS NOT LISTED PLEASE CONTACT CLIFF SALES.
- MATERIAL: JACK PBT (BLACK)
- MATERIAL: CONTACTS NICKEL SILVER (TIN PLATED)
- MATERIAL: NUT BRASS (NICKEL PLATED)

PART No	DESCRIPTION	TYPE	NUT
CL1372	S6/SB/6.0mm PCB	A	YES
CL1384	S6/BB/6.0mm PCB	A	YES
CL13841	S6/BB/6.0mm PCB	A	YES
CL13842	S6/BB/NN/6.0mm PCB	A	NO
CL1385	S6/BB/NN/6.0mm PCB	A	NO
CL1389	S6/MB/6.0mm PCB	A	YES
CL1391	S6/MM/6.0mm PCB	A	YES
CL13843	S6/BB/NN/5.5mm PCB	B	NO
CL13844	S6/BB/5.5mm PCB	B	YES
CL13845	S6/BB/5.5mm PCB	B	YES
CL1362	S6/SS/SOLDER TAG	C	YES
CL1382	S6/BB/SOLDER TAG	C	YES
CL1388	S6/MB/SOLDER TAG	C	YES
CL1390	S6/MM/SOLDER TAG	C	YES

RoHS
COMPLIANT

TOLERANCE
NO DEC. PLACE ±
1 DEC. PLACE ± 0.15
2 DEC. PLACE ±
HOLE Ø ±
ANGLES ± 1/2°
UNLESS OTHERWISE STATED

Cliff Electronic Components Ltd.

76 Holmethorpe Avenue, Holmethorpe Industrial Estate,
Redhill, Surrey, RH1 2PF, England, UK
Tel: 01737-771375 Fax: 01737-766012 Website: www.cliffuk.co.uk

THE CONTENTS OF THIS DOCUMENT MUST NOT BE COPIED OR DISCLOSED TO A 3rd PARTY WITHOUT WRITTEN PERMISSION OF CLIFF UK © 1991

DIMENSIONS IN MILLIMETERS UNLESS OTHERWISE STATED. WORK TO DIMENSIONS. REMOVE ALL BURRS. IF IN DOUBT ASK.

MATERIAL: SEE NOTES

FINISH: AS MOULDED / CLEAN

DRAWN: C.A.M.J.

APPROVED: R.W.T.

3rd ANGLE PROJECTION:

TITLE: S6 MINIATURE JACK SOCKET

DRWG. No. CL1362

FORM: A4DRWGF

DO NOT SCALE