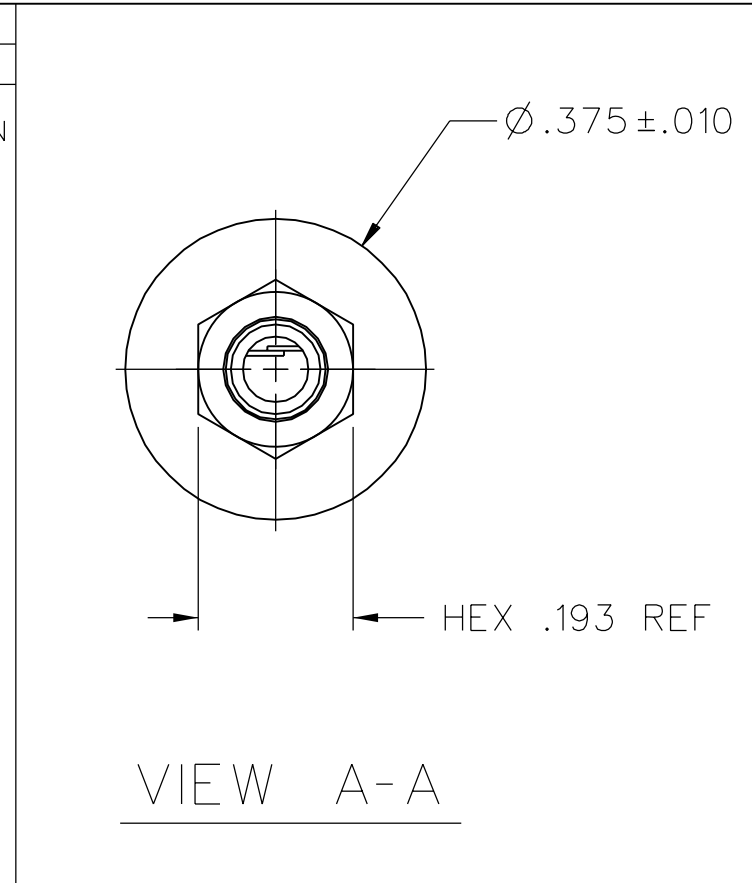


PART NUMBER	ITEM ①		ITEM ②		ITEM ③	ITEM ④
	HANDLE	COLOR	BODY	COLOR	CONTACT	CONTACT SPRING
105-0701-001	NYLON	WHITE	NYLON	WHITE	BRASS SILVER PL .0001 MIN OVER COPPER PL	BERYLLIUM COPPER SILVER PL .0001 MIN OVER COPPER PL
105-0702-001		RED		RED		
105-0703-001		BLACK		BLACK		
105-0704-001		GREEN		GREEN		
105-0705-001		LIGHT BLUE		LIGHT BLUE		
105-0706-001		ORANGE		ORANGE		
105-0707-001		YELLOW		YELLOW		
105-0708-001		BROWN		BROWN		
105-0709-001		LIGHT GREEN		LIGHT GREEN		
105-0710-001		BLUE		BLUE		
105-0711-001		IVORY		IVORY		
105-0712-001		VIOLET		VIOLET		
105-0713-001		GRAY		GRAY		
105-0714-001		BATTLESHIP GRAY		BATTLESHIP GRAY		
105-0715-001		DARK MAROON		DARK MAROON		
105-0716-001		DELFT BLUE		DELFT BLUE		
105-0717-001						
105-0718-001						
105-0719-001						
105-0720-001						



DRAWING NO.
B - 105-0701/0720-001

0	REVISIONS
---	-----------

CREATED SHEET 2

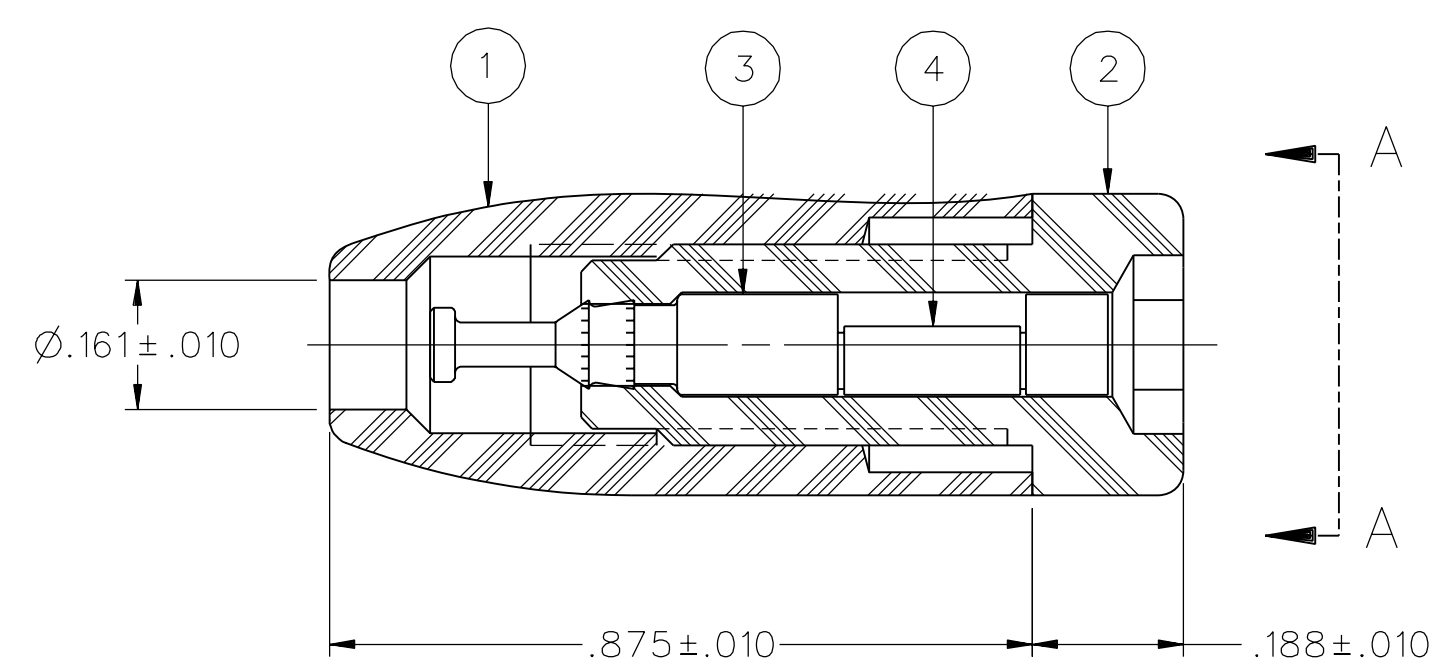
* REVISION NUMBER FOLLOWED BY AN ALPHA *
* CHARACTER INDICATES DRAWING CLARIFI- *
* CATION OR PART NUMBER ADDITION ONLY. *

12a	5-3-02	T J S	R J B		5-31-02	ECN 48390
-----	--------	-------------	-------------	--	---------	-----------

NOTES:
SPECIFICATIONS:
ELECTRICAL:
CURRENT RATING: 5 AMPS DC MINIMUM
DIELECTRIC WITHSTANDING VOLTAGE: 5700 VRMS MIN AT SEA LEVEL
RECOMMENDED WORKING VOLTAGE: 2850 VRMS MAX AT SEA LEVEL
INSULATION RESISTANCE: 5000 MEGOHMS MIN
CONTACT RESISTANCE: 10 MILLIOHMS MAXIMUM
CAPACITANCE: 2 PF NOMINAL

MECHANICAL:
INSERTION/WITHDRAWAL FORCE: .5 - 5.0 POUNDS
CONTACT RETENTION IN INSULATOR FORCE: 15 LBS MIN
CONTACT RETENTION IN INSULATOR TORQUE: 12 IN-OZ MINIMUM
INSULATOR RETENTION IN .062 PANEL FORCE: NOT APPLICABLE
INSULATOR RETENTION IN SLEEVE FORCE: NOT APPLICABLE
INSULATOR RETENTION IN PANEL TORQUE: NOT APPLICABLE
PLASTIC MOUNTING THREAD STRIPPING TORQUE: NOT APPLICABLE
RESISTANCE TO TEST PROBE DAMAGE TORQUE: 2 IN LB MIN
MATING TIP PLUG DIAMETER: .080+-0.001
DURABILITY: 1000 CYCLES MINIMUM

ENVIRONMENTAL:
(MEETS OR EXCEEDS THE APPLICABLE PARAGRAPH OF MIL-PRF-39024)
OPERATING TEMPERATURE: -55 DEG C TO 85 DEG C
TEMPERATURE RISE AT RATED CURRENT: 10 DEG C MAXIMUM
CORROSION: MIL-STD-1344, METHOD 1001, CONDITION B
SHOCK: MIL-STD-1344, METHOD 2004, CONDITION G
VIBRATION: MIL-STD-1344, METHOD 2005, CONDITION I
HUMIDITY: MIL-STD-1344, METHOD 1002, CONDITION B



CUSTOMER DRAWING

THIS DRAWING TO BE INTERPRETED
PER ASME Y 14.5M - 1994

"μSTATION"

COMPANY CONFIDENTIAL

TOLERANCE UNLESS OTHERWISE SPECIFIED		DRAWN BY	DATE
DECIMALS	mm	RJB	5-31-02
.XX	_____	CHECKED BY	DATE
.XXX	_____		
MATL	_____	APPROVED BY	DATE
		RJB	5-13-02
FINISH	_____	RELEASE DATE	5-31-02
		U/M	INCH
		SCALE	4:1

EMERSON
Network Power

Connectivity Solutions
P.O. Box 1732
Waseca, MN 56093
1-800-247-8256

TITLE
ASSEMBLY, TIP JACK,
INSULATED HANDLE, ROUND
BODY, TURRET TERMINAL

SHEET 2 OF 2
DRAWING NO. B - 105-0701/0720-001